

### Overview

The Component Video Hub allows one (1) full component video (YPbPr/RGB) source and one (1) digital or analog audio source to be distributed up to eight (8) or sixteen (16) destinations depending on the model for more cost-efficient cabling. The 500250 and 500252 support up to eight (8) or sixteen (16) ports respectively. The hub works in conjunction with the 500050, 500051, 500052, 500053, 500054, 500055, 500056 and 500057 baluns.

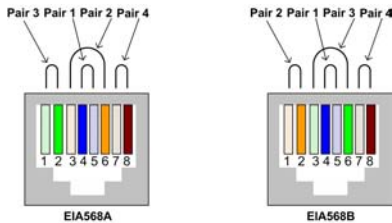


### Applications

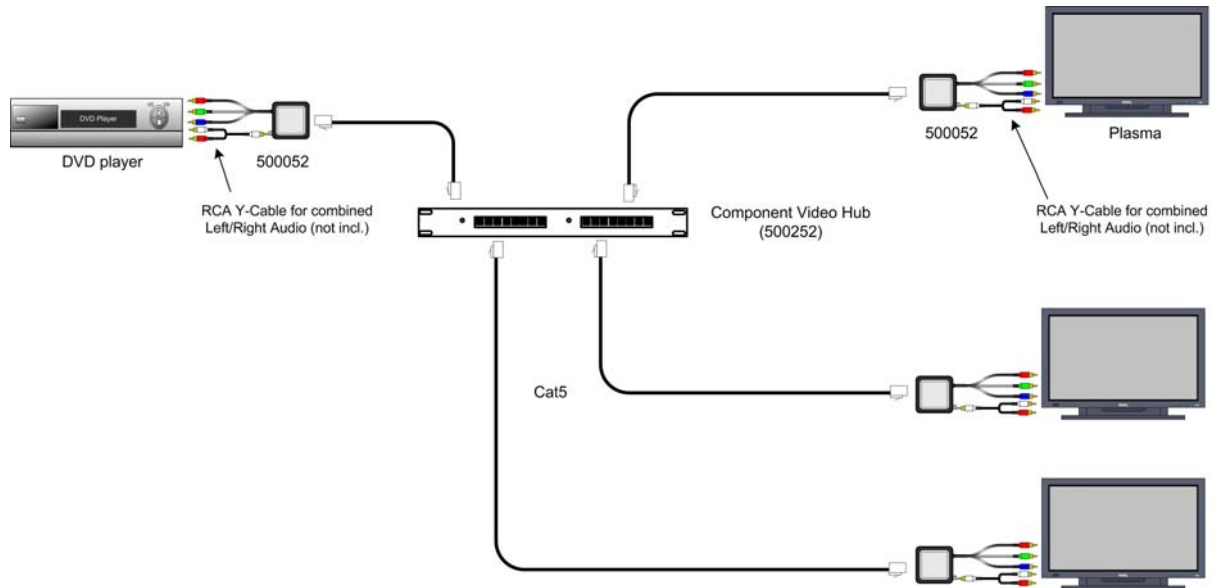
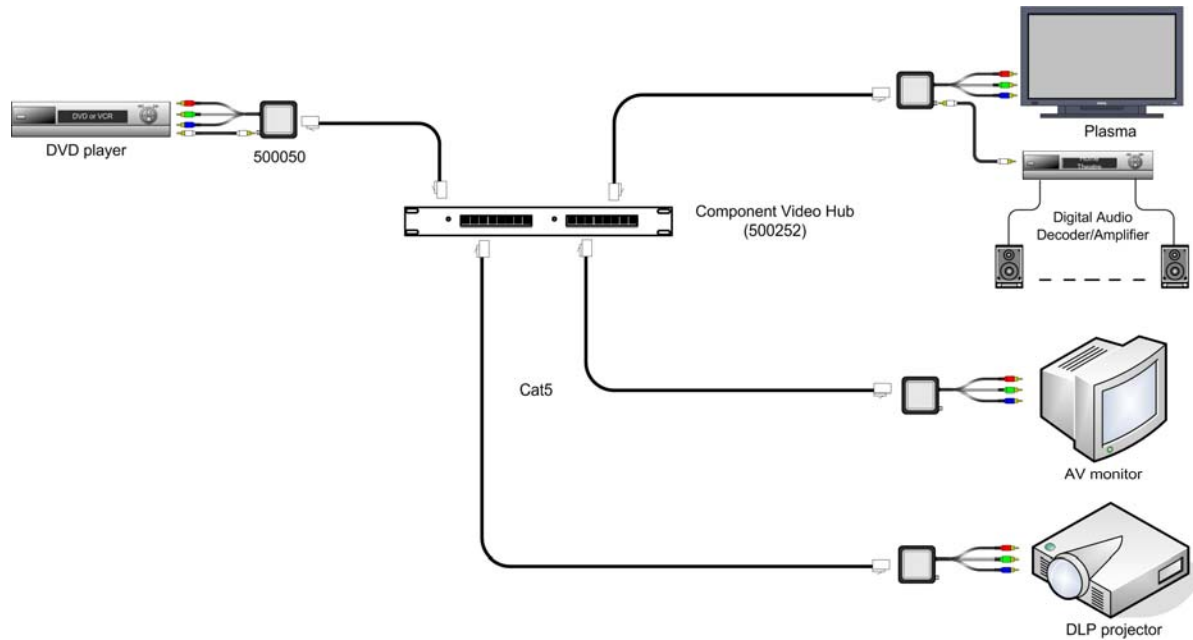
Digital signage, boardroom systems, residential and commercial multi-display systems, classroom training, retail systems, electronic billboards, electronic signs, video kiosks, point-of-sale displays, in-store video.

### Features

- Modular RJ45 on input and output
- Cascadable up to two (2) levels
- Supports 480i/p up to 1,000 ft (305m) via Cat5
- Supports 720p/1080i/p up to 500 ft (152m) via Cat5
- Supports digital or analog audio on fourth twisted pair
- Ground loop isolation on every port
- Integrates seamlessly with MuxLab baluns.

Specifications	
<b>Environment</b>	Component baseband video (YPbPr/RGB) and Digital or Mono Analog Audio
<b>Devices</b>	DVD players, DVR, AV matrix switchers, DLP projectors, plasmas, monitors, home theatre.
<b>Transmission</b>	Transparent to the user.
<b>3 dB Bandwidth</b>	Video: DC to 77 MHz. Digital Audio: DC to 52MHz Analog Audio: 20 to 20kHz
<b>Insertion Loss (differential)</b>	Video: -0.8 dB @ 4 MHz Digital Audio: -1.26 dB @ 4 MHz. Analog Audio: 1 dB @ 4 MHz.
<b>Video Return Loss</b>	-23dB @ 4 MHz.
<b>Common Mode Rejection</b> Input: balanced. Output: balanced	Video: Greater than 40 dB over the frequency range. Digital Audio: Greater than 31.5 dB over the frequency range Analog Audio: Greater than 60 dB @ 1 KHz; Greater than 40 dB over the frequency range.
<b>Crosstalk Immunity</b>	-60 dB @ 4 MHz
<b>Total Harmonic Distortion</b>	Analog Audio: Less than 0.007% @ 1KHz.
<b>Max. Distance via Cat 5 Twisted Pair (UTP)*</b>	Component Video (YPbPr): 480i/p: 1,000 ft (305m) * 720p and 1080i: 500 ft (152m) * Digital Audio: 600 ft (182m) * Analog Audio: 3.250 ft (990m) * <i>*Measured between Source (ie;DVD) and Destination (ie;Monitor) with Hub placed anywhere between the source and destination</i>
<b>Compatible Baluns</b>	500000, 500002, 500009, 500020, 500021, 500050, 500051, 500052, 500053 <b>Not compatible with p/n 500058</b>
<b>Cascadability</b>	Up to two (2) levels.
<b>Ground Loop Isolation</b>	Ground loop isolation on every port.
<b>Cable – UTP</b>	24 gauge or lower solid copper twisted pair wire impedance: 100 ohms at 1 MHz. Cat 3 or better.
<b>Connectors</b>	Source Input: One (1) RJ45S on rear panel Looping Output: One (1) RJ45S on rear panel Distribution Outputs: Eight (8) or sixteen (16) RJ45S on front panel
<b>RJ45 Pin Configuration</b> <i>Reverse Polarity Sensitive</i>  <i>EIA568A or B</i>	Red (Pr) : Pins 7 [R] & 8 [T] Green (Y) : Pins 3 [R] & 6 [T] Blue (Pb) : Pins 1 [R] & 2 [T] Digital/Analog Audio : Pins 4 [R] & 5 [T]  
<b>Configuration Switch</b>	Sets hub to digital or analog audio on fourth twisted pair. Factory default: analog audio.
<b>LED Diagnostics</b>	Power (green), Video Sync (green), Digital Audio Sync (green):
<b>Power Supply</b>	External AC: 110V and 220/240V DC: 12VDC, 1.25A (8-port model) or 2.5A (16-port model).
<b>Temperature</b>	Operating: 0° to 40° C. Storage:-20° to 85° C. Humidity: up to 95% non-condensing.
<b>Dimensions</b>	500250/500251: 9.125" x 6.75" x 1.75" (23.18 cm x 17.15 cm x 4.45 cm) 500252/500253: 19" x 6.75" x 1.75" (48.26 cm x 17.15 cm x 4.45 cm)
<b>Weight</b>	500250/500251: 3.3 lbs (1.5 kgs) 500252/500253: 5.5 lbs (2.5 kgs)
<b>Compliance</b>	FCC, CE-EMC Directive 89/336/EEC, RoHS, WEEE
<b>Warranty</b>	2 years
<b>Order Information</b>	500250 Component Video Hub, 8 Ports, 110V 500251 Component Video Hub, 8 Ports, 220/240V 500252 Component Video Hub, 16 Ports, 110V 500253 Component Video Hub, 16 Ports, 220/240V

## Typical Application



Distribute	Compatible Baluns							
	500050	500051	500052	500053	500054	500055	500056	500057
Component & Digital Audio	*	*						
Component & Analog Mono Audio			*	*				
Component Video Only	*	*	*	*	*	*	*	*