

Overview:

The HDMI 4-Play Extender Kit allows HDMI equipment to be connected up to 330 ft (100 m) @ 1080p Deep Color via one (1) Cat 5e/6 unshielded twisted pair cables in a point-to-point configuration. The product also features one LAN port for interconnecting Ethernet equipment and a RS-232 port for control via the same Cat5e/6 cable. The kit comes with one (1) Transmitter and one (1) Receiver as well as an IR Emitter (500998) and IR Sensor (500999) for remote control applications.



Applications:

Commercial and residential audio systems, boardroom systems, collaborative PC systems, and medical information systems.

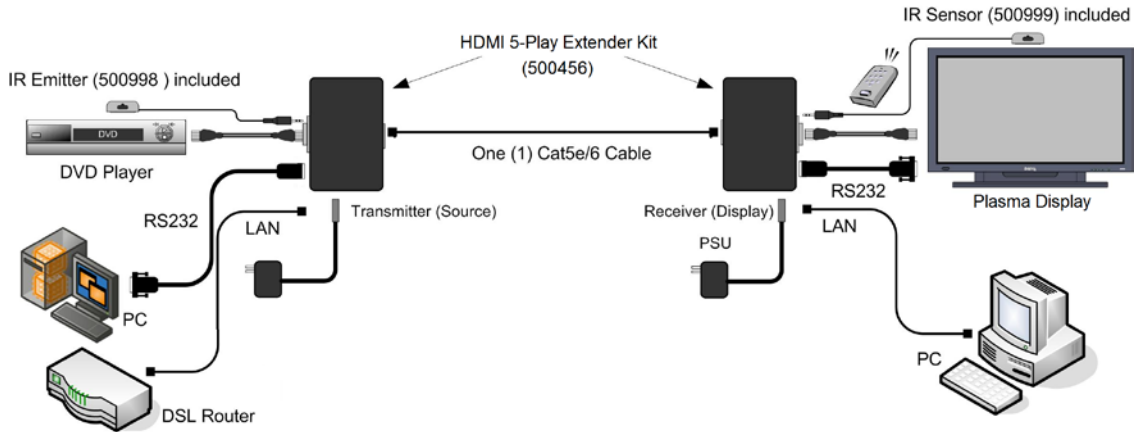
Features:

- Supports 1080p deep color, 4K @ 30fps & 3D resolutions
- Up to 330 ft (100m) via Cat5e cable
- Full 4-play HDBaseT Extender
- Supports LAN, Bidirectional IR & RS-232 up to the display
- Supports all digital audio modes
- Compatible with all other MuxLab HDBaseT extenders

Environment	HDMI 1.3a (Supports the 3D feature of HDMI 1.4)
Devices	DVD, plasma, projectors, monitors, TV, PC, laptops, servers supporting HDMI.
Transmission	Transparent to the user
Bandwidth	340 MHz
Signals	HDMI 1.3a protocol
Connectors	One (1) HDMI receptacle. One (1) RJ45S for Cat 5e/6 unshielded or shielded twisted pair. One (1) RJ45S for LAN (10/100BaseT) connection. One (1) three position terminal block for RS-232 Two (2) 3.5mm jacks for IR emitter and sensor. <i>Note: HDMI cables not included.</i>
Maximum Distance <i>Based on a maximum length of 6.6 ft (2 m) of HDMI cable per end.</i>	480i/p: Cat 5e/6: 330 ft (100 m) 720p, 1080i: Cat 5e/6: 330 ft (100 m) 1080p: Cat 5e/6: 330 ft (100 m) 1080p Deep Color: Cat 5e/6: 330 ft (100 m) 4K @ 24, 25, 30 Hz: Cat 5e/6: 230 ft (70 m) <i>Note: When installed in an electrically noisy environment, an STP cable must be used. Also, cross-connection reduces the effective distance depending on the grade of twisted cable used.</i>
RJ45 Pin Configuration <i>Reverse Polarity Sensitive. Use EIA/TIA 568A or 568B straight-through wiring.</i>	RJ45 Link Pin 1 (R) Pin 2 (T) Pin 3 (R) Pin 6 (T) Pin 4 (R) Pin 5 (T) Pin 7 (R) Pin 8 (T)
Cable	One (1) Cat 5e/6 or better twisted pair cables required
Power Supply	Two (2) 110-240V/5VDC power supplies with interchangeable blades
Power Consumption	Transmitter: 2.75 Watt Receiver: 5.15 Watt
Temperature	Operating: 0° to 40°C Storage: -20° to 85°C Humidity: Up to 95% non-condensing
Enclosure	Metal
Dimensions	4.40" x 3.00" x 1.00" (11.2 x 7.6 x 2.5 cm)
Weight	1.4 lb (0.6 kg)
Compliance	Regulatory: FCC, CE, RoHS Flammability: 94V0
Warranty	2 years
Order Information	500456 HDMI 4-Play Extender Kit (UPC: 627669004562)

HDMI 4-Play Extender Kit 500456

Typical Application:



Product Photos:

