



# HDMI over IP Extender with PoE

## 500752 [Kit] 500752-Tx [Encoder], 500752-Rx [Decoder]

### Overview

The HDMI over IP Extender (500752) allows an HDMI source to be connected via any Ethernet LAN thereby allowing AV broadcasts to be set up and changed without the need to install a dedicated cabling system. The kit includes two units; HDMI over IP Encoder (500752-TX) and HDMI over IP Decoder (500752-RX). The HDMI Encoder converts an HDMI bitstream into IP allowing it to be transmitted over an Ethernet LAN. The HDMI Decoder converts the IP packets back to the original HDMI bitstream for playback via an HDMI display.

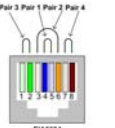



### Key Features

- Extends 1080p60 HDMI via LAN
- Supports up to 16 transmitters and 200 receivers Point-to-point, broadcasting and multicasting Supports PoE
- Support IR Control, HDCP
- Up to 390 ft (120m) between the TX and RX when no LAN switch is used
- Control via Windows-based software or via any web device (mobile, tablet) with use of model 500810 (Pro Digital Network Controller)

### Benefits

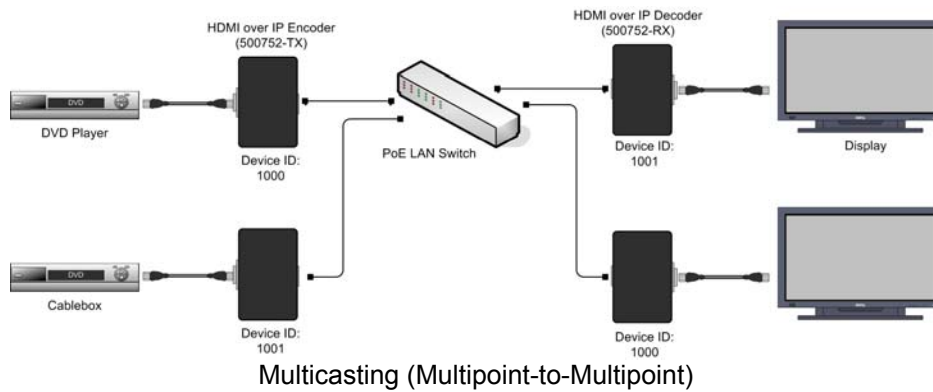
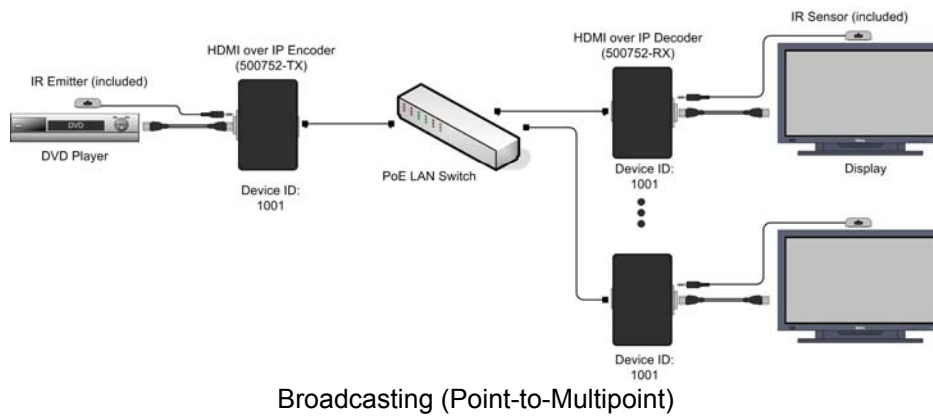
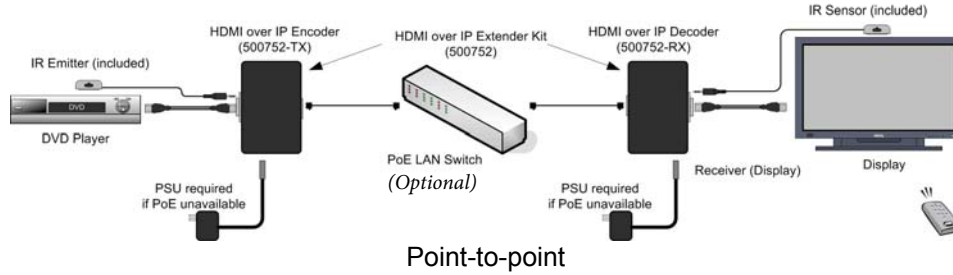
Uses existing LAN cabling infrastructure  
 Reduces need for dedicated AV matrix switches  
 Accessible via any existing LAN connection

Specifications	
<b>Environment</b>	HDMI 1.3a, Ethernet, IGMP
<b>Devices</b>	DVD, plasma, projectors, monitors, TV, PC, laptops, servers supporting HDMI.
<b>Transmission</b>	Transparent to the user
<b>Bandwidth</b>	225 MHz
<b>Compression Method</b>	MJPEG
<b>Bit Rate</b>	60 Mbps
<b>Latency</b>	One (1) frame. At 30fps there is 33msec latency
<b>Network Requirements</b>	Point to Point: 100BaseT    Multipoint: 1000BaseT
<b>IR Frequency</b>	38 KHz
<b>Configurations</b>	Point-to-Point, Point-to-Multipoint, Multipoint-to-Multipoint*. <i>*For multipoint-to-multipoint configuration the gigabit Ethernet switch must support the IGMP communications protocol.</i>
<b>Connectors</b>	One (1) HDMI receptacle. <i>Note: HDMI cables not included.</i> One (1) RJ45S for Cat 5e/6 unshielded or shielded twisted pair via 10/100BaseT One (1) 3.5mm jacks for IR emitter/sensor. Four (4) DIP Switches for device ID addressing.
<b>DIP Switch</b>	4-position DIP to set Device ID
<b>Maximum Distance</b>	Cat5e/6: 330 ft (100 m) up to 1080P* <i>*Gigabit Ethernet required for 1080p</i> Cat5e/6: 400 ft (120 m) when used point to point without hub. <i>Note: When installed in an electrically noisy environment, an STP cable must be used. Also, cross-connection reduces the effective distance depending on the grade of twisted cable used.</i>
<b>RJ45 Pin Config</b>	<b>RJ45 Link</b> Pin 1 (R)    Pin 2 (T) Pin 3 (R)    Pin 6 (T) Pin 4 (R)    Pin 5 (T) Pin 7 (R)    Pin 8 (T) <div style="display: flex; justify-content: space-around; align-items: center; margin-top: 10px;">   </div>
<b>Cable</b>	One (1) Cat 5e/6 or better twisted pair cables required
<b>Power Supply</b>	Two (2) 110-240V/5VDC power supplies with interchangeable blades
<b>Power Consumption</b>	Transmitter: 2.9 Watt                      Receiver: 1.8 Watt
<b>Temperature</b>	Operating: 0° to 40°C                      Storage: -20° to 85°C                      Humidity: Up to 95% non-cond
<b>Enclosure</b>	Metal
<b>Dimensions</b>	3.70" x 3.68" x 0.97" (94 x 93.5 x 24.6 mm)
<b>Shipping Weight</b>	500752: 2.2 lb (1.08 kg)    500752-TX: 1.1 lb (.54 kg) 500752-RX: 1.1 lb (.54 kg)
<b>Compliance</b>	Regulatory: FCC, CE, RoHS    Flammability: 94V0
<b>Warranty</b>	2 years
<b>Order Information</b>	500752    HDMI Over IP Extender Kit with PoE (Includes Tx and Rx) 500752-TX    HDMI Over IP Encoder with PoE 500752-RX    HDMI Over IP Decoder with PoE



# HDMI over IP Extender with PoE 500752 [Kit] 500752-Tx [Encoder], 500752-Rx [Decoder]

## Typical Applications



Rear panel