

Overview

The Surface Mount Balun Plate (500915) allows any MuxLab square balun to be installed on a wall or furniture surface for a more permanent and secure installation.

Head-end AV equipment such as DVD players, video servers and sat boxes may be installed in a local wiring closet and connected to the Cat5 structured cabling system via a wide array of MuxLab balun solutions.

The 500915 fully covers the balun and allows the pin configuration to be displayed for ease of reference. Mounting ears are positioned to allow multiple fixtures to be installed next to each other.

The 500915 comes with two (2) mounting screws and plastic anchors for drywall (gyproc) installation.



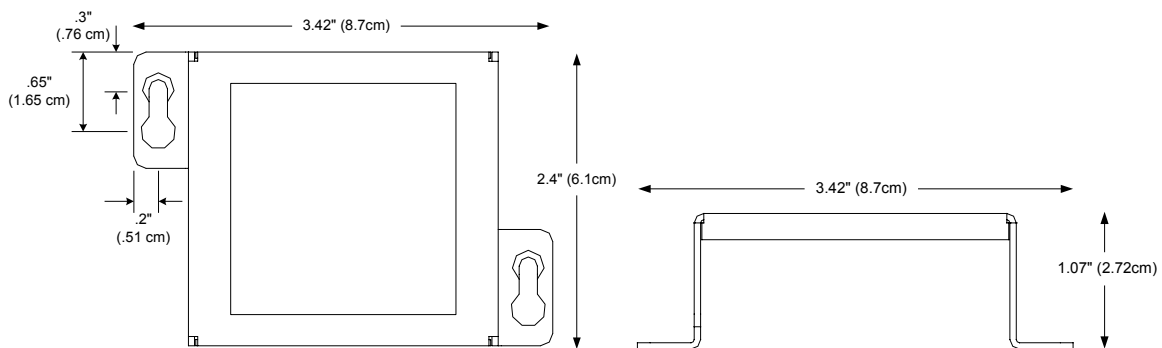
Applications

- Custom AV installations
- Head-end audio-video systems
- Home AV systems
- Boardroom systems
- Digital signage systems

Features & Benefits

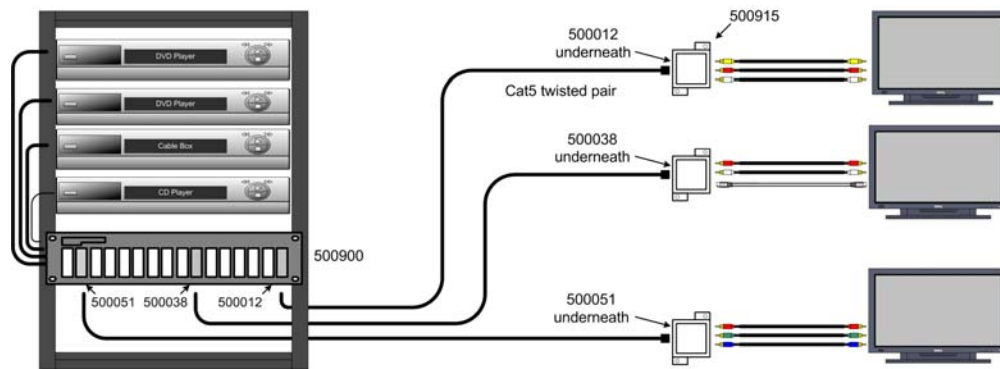
- One-piece design
- May be mounted close to each other
- Includes two (2) mounting screws and anchors
- Balun sold separately

Environment	Custom audio-video systems in a structured cabling environment.
Application	Wall or furniture surface-mounting of MuxLab baluns in head-end installations, audio-video rooms, telecom rooms, boardroom systems, classrooms, CCTV systems.
Capacity	One square MuxLab balun.
Compatible baluns	MuxLab baluns measuring: 2.4" x 2.25" x 1" (6.1 x 5.7 x 2.5 cm).
Orientation	Baluns may be installed front or rear facing.
Enclosure	Steel. Black painted
Mounting holes	Two (2) mounting holes
Mounting hardware	Two (2) mounting 10-32 screws and anchors are included.
Dimensions	3.42" (W) x 2.44" (H) x 1.06" (D) (8.74 cm x 6.2 cm x 2.7 cm).
Weight	0.6 oz (17 gms).
Warranty	Lifetime.
Order Information	500915 Surface Mount Balun Plate



Surface Mount Balun Plate 500915

Typical Application



With balun installed