

Features

- 4" polypropylene cone woofer
- 0.75" titanium dome tweeter
- 40 Watt continuous power handling, 160 Watt peak
- 70/100 V multitap transformer with 8 ohm bypass
- C-ring and tile rails included



The AcousticDesign Series of installation loudspeaker products from QSC Audio expands with the new AD-C42T ceiling mount loudspeaker system. Designed for background and general purpose audio playback, the new AD-C42T is compact and acoustically matched to the entire AD Series. Rated for 40 Watts continuous power handling and able to take up to 160 Watt peaks, the compact AD-C42T is suitable for a wide variety of ceiling installations

The 4" woofer is equipped with a polypropylene cone for protection in humid environments. The driver features a synthetic rubber surround and in its sealed enclosure is optimized to deliver useable low frequency extension below 70 Hz. The high frequency device is a co-axial, post mounted 0.75" dome tweeter with a titanium diaphragm and a cloth surround. The coaxial post is mounted slightly off center in relation to the low frequency driver in order to lessen the destructive interference often found with axisymmetric post mounted coaxial systems. The conical dispersion of the AD-C42T is 100° and sensitivity measures 88 dB SPL.

The baffle and mounting tabs are molded from high-impact polystyrene. The rear enclosure is a heavy gauge, powder coated steel. The attractive aluminum grille is backed with an acoustically transparent white cloth. On the rear of the enclosure is an input cup that features a conduit attachment point plus an additional knockout for daisy-chain wiring. Input signal connection is made with a high temperature resistant ceramic screw terminal for compliance with European safety standards.

The AD-C42T is factory shipped with C-rings and tile rails for installation. New construction rings (ADC-NC4) and mud rings (ADC-MR4) are also available separately. The AD-C42T is equipped with a 70/100 V transformer with multiple taps and an 8 ohm bypass.

Specifications

| | |
|----------------------------------|---|
| Configuration | Compact 2-way, sealed enclosure |
| Transducers | |
| Low-frequency | 4" (10 cm) weather resistant, polypropylene cone woofer |
| High-frequency | 0.75" titanium dome tweeter |
| Frequency Range ¹ | |
| Frequency Response (-6 dB) | 72 Hz - 20 kHz |
| Useable Frequency Range (-10 dB) | 60 Hz - 20 kHz |
| Maximum Output ² | |
| Calculated Peak Output | 110 dB SPL |
| Calculated Continuous Output | 104 dB SPL |
| Nominal Impedance | 8 Ω |
| Power Rating | |
| RMS Power Handling ³ | 40 W (100 hours IEC) |
| Recommended Max Amp Power | 80 W RMS |
| Sensitivity | 88 dB, 2.83 V, 1 m, free space (4π) |
| Transformers | |
| Type | Custom low distortion laminated core, wide bandwidth design |
| Taps | 70 V: 30, 15, 7.5, 3.8 W / 100 V: 30, 15, 7.5 W / 8 Ω selected by switch |
| Environmental | Exceeds Mil Spec 810 for humidity, salt spray and dust; IEC 60529 IP-X3 splash rating |
| Agency Rating | Listed UL1480, UL2043 safe for use in air handling spaces; Transformer is Listed UL1876; Compliant BS/EN 60849 safety standards |
| Enclosure | |
| Material | Injection molded, high impact polystyrene baffle on a steel enclosure |
| Finish | White (paintable) |
| Grille | Painted aluminum |
| Connectors | Ceramic block or 4-pin Euro terminals in fire protective sub-chamber |
| Mounting Hardware | Rails and C-ring for ceiling tile installation |
| Weight - Net/Shipping (pair) | 6.1 lb (2.7 kg) / 18 lb (8.2 kg) |
| Available Accessories | ADC-MR4 / ADC-NC4 |

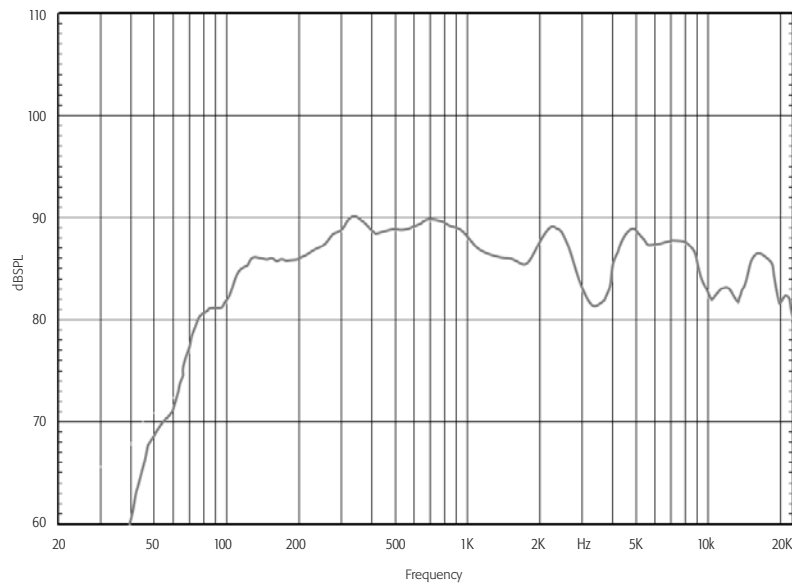
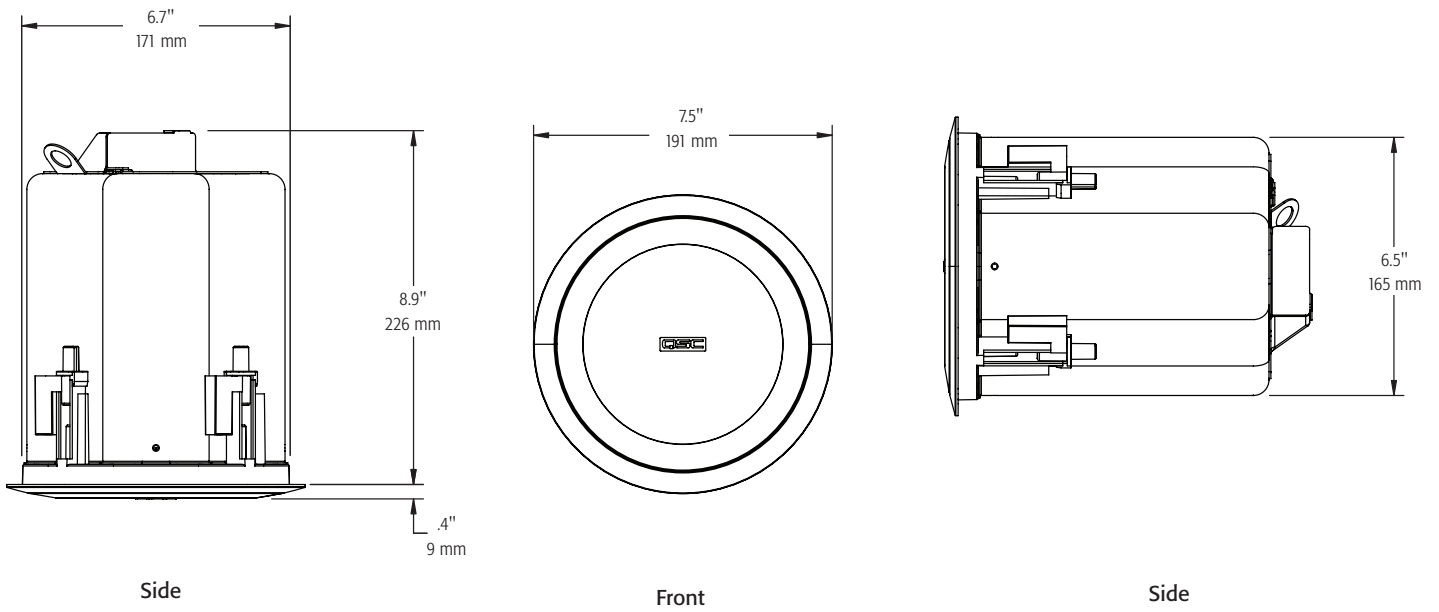
¹) All frequency ranges specified refer to measured free field response.

²) Calculated SPL at 1m, (free space, 4π), speaker operating at rated RMS power with pink noise within specified frequency range

³) Maximum input power tested in accordance with IEC 268-5 recommendations, 50 Hz - 20 kHz band limiting, 6 dB signal crest factor.

AD-C42T

Dimensions | Frequency Response



Specifications subject to change without notice.

QSC and the QSC logo are registered trademarks of QSC Audio Products Inc. in the U.S. Patent and Trademark office and other countries. AcousticDesign is a trademark of QSC Audio Products, Inc. All other trademarks are the property of their respective owners.

1675 MacArthur Boulevard • Costa Mesa, CA 92626 • Ph: 800/854-4079 or 714/957-7100 • Fax: 714/754-6174

AD-C42T Spec Sheet - 10/11/07

QSC
qscaudio.com