

Features

- **5.25", 2-way design**—in a lightweight, contemporary styled multipurpose enclosure
- **Magnetically shielded LF transducer**—ideal for use near video monitors
- **Flexible ball mount assembly included**—for convenient installation
- **70/100 volt transformer versions available**—for use with distributed audio systems
- **Optional yoke mount bracket available**



The QSC AcousticDesign AD-S52 is a full range, surface mount loudspeaker with sleek, contemporary styling that fits perfectly into multiple environments and applications including hotels, restaurants, convention facilities, and multimedia environments. The loudspeaker’s low-frequency driver is magnetically shielded, making the AD-S52 perfect for use near video monitors. Available in black or white, these great sounding, weather resistant enclosures can be painted to match any specific decor.

The AD-S52 is a high output, 2-way design incorporating a 5.25" weatherproof, LF transducer and a 1" neodymium tweeter. This exceptional loudspeaker carries the added benefit of built-in dynamic power protection—thus ensuring system reliability in the event of overload conditions.

The AD-S52T models are equipped with a 70/100 volt matching transformer for distributed audio systems. There is a transformer tap switch on the rear panel for setting the power level of the loudspeaker. This switch may also be set for 8 ohm operation, bypassing the transformer completely—providing greater system flexibility compared to most competing products.

The AD-S52 system package includes a ball mount assembly for convenient installation of the enclosure in a wide variety of orientations. If desired, the ball mount adapter’s back plate can be removed, reducing the overall depth of the assembly and the footprint of the mount on the wall. Further, the assembly includes a weather resistant input connection cover to protect the 5-way binding post input terminals.

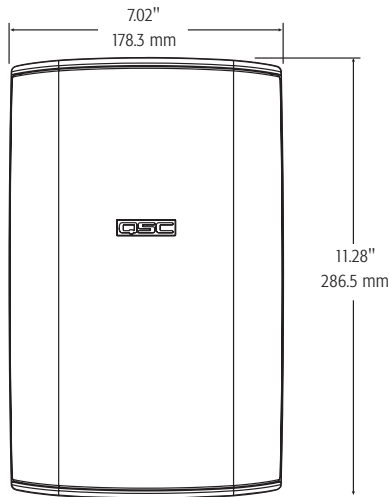
Specifications

	AD-S52	AD-S52T
Configuration	Compact 2-way, ported enclosure	Compact 2-way, ported enclosure
Transducers		
Low-frequency Transducers	5.25" shielded	5.25" shielded
High-frequency Transducer	1" neodymium tweeter	1" neodymium tweeter
Frequency Range ¹		
Frequency Response (-6 dB)	75 Hz – 19 kHz	75 Hz – 19 kHz
Useable Frequency Range (-10 dB)	60 Hz – 20 kHz	60 Hz – 20 kHz
Maximum Output ²		
Calculated Peak Output	110 dB SPL	107 dB SPL
Calculated Continuous Output	104 dB SPL	101 dB SPL
Nominal Impedance	8Ω	8Ω switchable
Power Rating		
RMS Power Handling ³	60 W (100 hours IEC)	60 W (100 hours IEC)
Recommended Max Amp Power	120 W RMS	120 W RMS
Sensitivity	86.5 dB, 2.83V, 1 m, free field (4π)	86 dB, 2.83V, 1 m, free field (4π)
Nominal Coverage (HV)	90° x 90°	90° x 90°
Transformers		
Type	–	Custom low distortion laminated core, wide bandwidth design
Taps	–	70V: 30, 15, 7.5, 3.75 W 100V: 30, 15, 7.5 W
Enclosure		
Material	Injection molded, weather resistant, high impact polystyrene	
Finish	White or black (paintable)	
Weather Resistant	Yes	
Grille	Heavy duty powder coated aluminum	
Connectors	Pair of 5-way binding posts	
Mounting Hardware	Included ball mount assembly; optional yoke mount bracket available	
Weight - Net / Shipping	15 lb (6.8 kg) / 22 lb (10 kg)	18 lb. (8.2 kg) / 25 lb (11.4 kg)

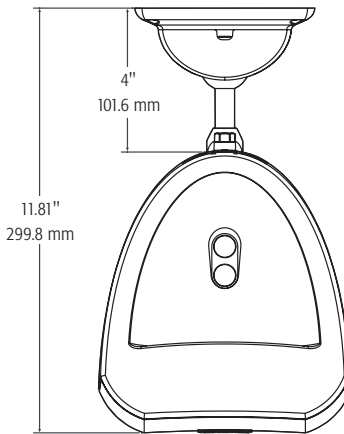
1) All frequency ranges specified refer to measured free field response (full space, 4π)
 2) Calculated SPL at 1m, (full space, 4π), speaker operating at rated RMS power with 6 dB crest factor pink noise input, 50 Hz – 20 kHz
 3) Maximum input power tested in accordance with IEC 268-5 recommendations, 80 Hz – 20 kHz band limiting, 6 dB signal crest factor

AD-S52

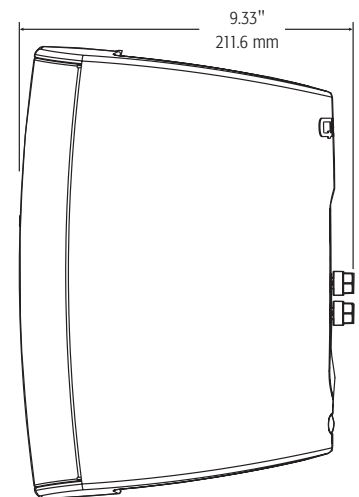
Dimensions | Frequency Response and Impedance



Front

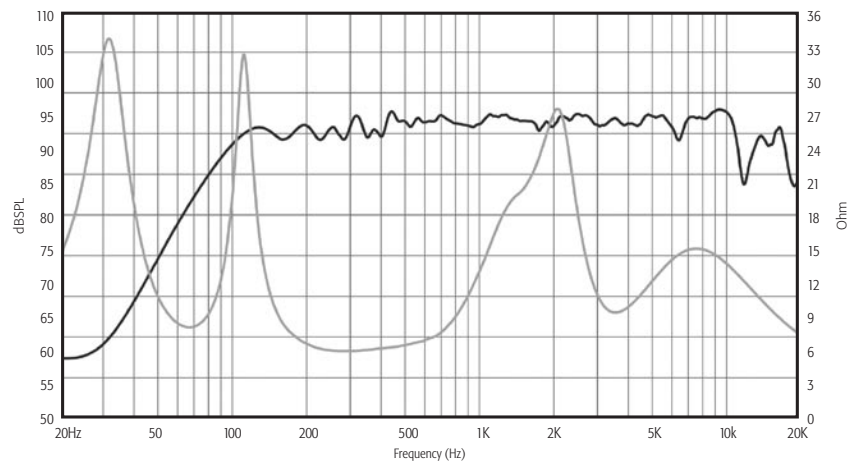


Top

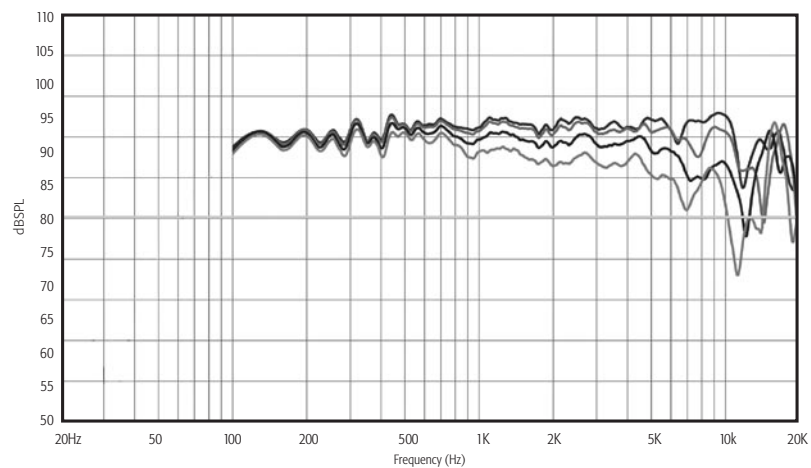


Side

Frequency Response and Impedance*



Horizontal Off-Axis Frequency Response** (0°, 15°, 30°, 45°)



*Graph shows free field SPL at 1 W, 1 m

**1/3rd octave smoothing applied to off-axis curves for clarity

Specifications subject to change without notice.

QSC and the QSC logo are registered trademarks of QSC Audio Products, LLC in the U.S. Patent and Trademark office and other countries. AcousticDesign is a trademark of QSC Audio Products, LLC. All other trademarks are the property of their respective owners. Patents may apply or be pending.

1675 MacArthur Boulevard • Costa Mesa, CA 92626 • Ph: 800/854-4079 or 714/957-7100 • Fax: 714/754-6174

AD-S52 Spec Sheet - 06/18/08

QSC
qscaudio.com