

## ACCESSORIES

### Model AMS-RU4

#### Mounting panel for 4 AMS Accessories

The AMS-RU4 permits the mounting of up to four RDL AMS series accessories which include switches, controls, indicators and jacks. The use of AMS accessories allows for easy customization of rack mounted user interfaces. The design of the AMS-RU4 complements the appearance of adjacent RACK-UP products.



Front



Rear



Front



Rear

With Product Installed

(AMS-1/8F, AMS-10K, AMS-SW2, AMS-XLRM available separately)

## ACCESSORIES

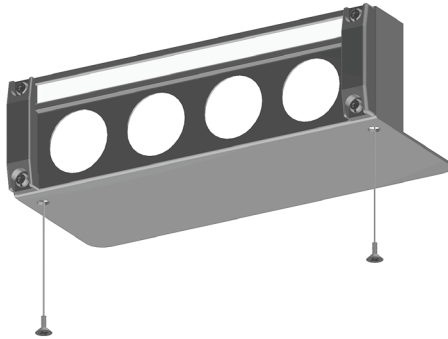
### Model AMS-RU4

### Mounting panel for 4 AMS Accessories

## Installation/Operation

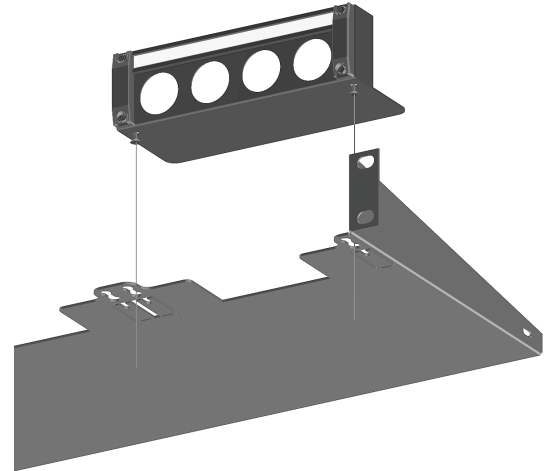


EN55103-1 E1-E5; EN55103-2 E1-E4  
Typical Performance reflects product at publication time  
exclusive of EMC data, if any, supplied with product.  
Specifications are subject to change without notice.



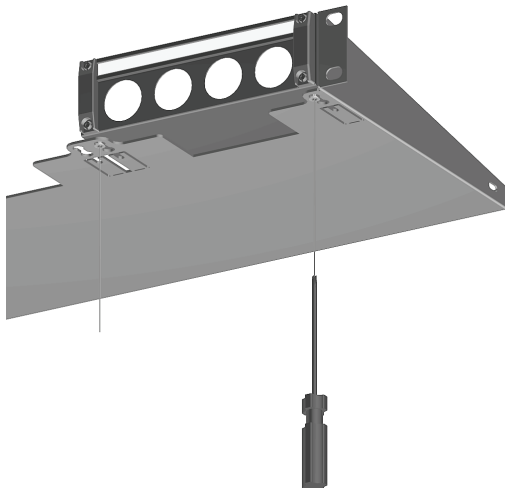
#### STEP #1

Start the screws into the bottom of the AMS-RU4 but do not install them all the way.



#### STEP #2

Place the AMS-RU4 onto the chassis. The screw heads will pass through the rear position in the cutout.



#### STEP #3

Slide the unit forward until the screws are seated in the forward position of the cutout. Tighten the screws to secure the AMS-RU4 in the chassis.