

ACCESSORIES

Model BZR

Audio Alert Module

ANYWHERE YOU NEED...

- Audible Alert of A Remote Condition
- An LED Alarm Indicator
- A Front-Panel Reset Button
- Remote Reset Provision
- Momentary or Latching Operation
- Selectable Audio Level

You Need The BZR!

The BZR is an audible alert module available in two formats. The R-BZR can be mounted in limited space using the adhesive methods popularized by RDL's STICK-ON[®] series. The D-BZR may be mounted in a wall-box enclosure for use in walls or cabinets.

APPLICATION: The BZR is the ideal choice in installations requiring an audible alert.

Rear-panel terminals permit connection of a *trip* signal, a remote reset button, external power supply, and a jumper to set the audible alert level. The BZR is activated when the **TRIP** input is momentarily connected to ground. The BZR then sounds the alert and remains in the alert mode until reset by either the front-panel **RESET** button, or by a remote reset button. Normally, the BZR latches in the alert mode. Alternately, the BZR may be configured to sound the alert *only* while the **TRIP** terminal is grounded. This may be accomplished by installing a jumper from the remote **RESET** to ground. For use in confined areas, the standard alert may be too loud. The level may be reduced by removing a jumper provided on the rear-panel terminal block.

A front-panel LED lights when the module is in the alert mode. If several BZR's are installed at a common location, this visual indication shows the operator which unit is tripped.

The BZR power supply input accepts 24 Volts *ac* or *dc*. The BZR is a negative ground-referenced product. In the unlikely event it is connected on a common 24 Vac supply together with equipment which is positive ground-referenced *and* not transformer isolated, a ground fault may occur. The BZR automatically detects such a fault and disconnects itself from the power input.

Wherever an audio alert module is needed, the BZR is the ideal choice. Use the BZR individually, or combine it with other RDL RACK-UP[®], STICK-ON[®], TX[™], or FLAT-PAK[™] series products as part of a complete audio/video system.

R-BZR



D-BZR



Installation/Operation

ACCESSORIES

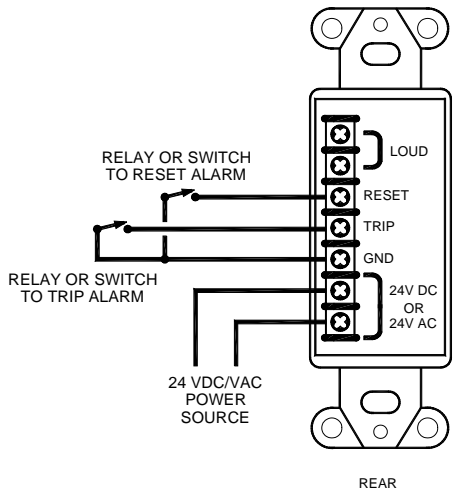
Model BZR

Audio Alert Module

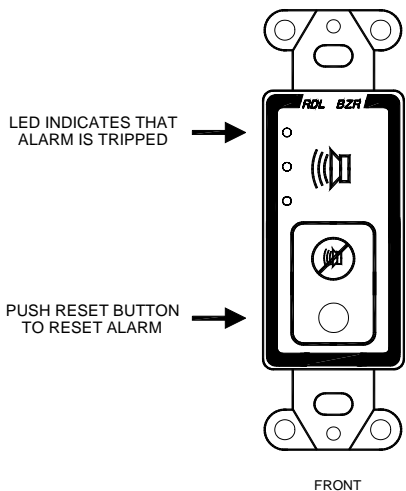
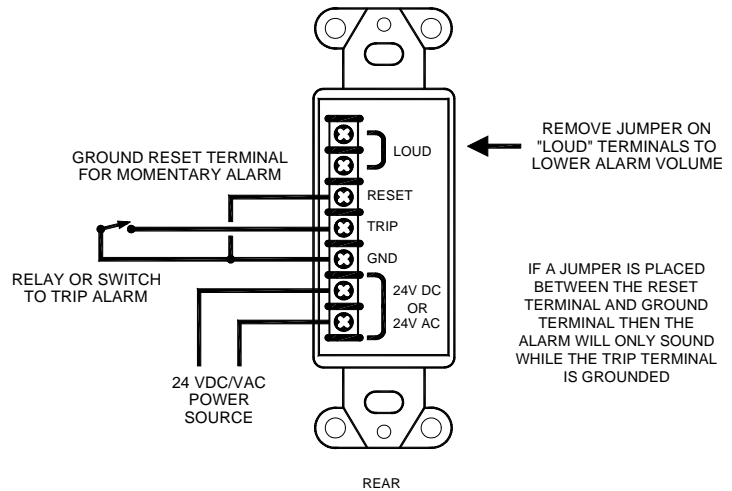


EN55103-1 E1-E5; EN55103-2 E1-E4
Typical Performance reflects product at publication time exclusive of EMC data, if any, supplied with product. Specifications are subject to change without notice.

LATCHING OPERATION



MOMENTARY OPERATION



TYPICAL PERFORMANCE

Control Inputs:

Audible Alert:

Power Requirement:

D-BZR Dimensions:

R-BZR Dimensions:

TRIP and RESET (ground to activate)

Approx. 4 kHz 85 dBspl @ 10cm (loud), or 75 dBspl @ 10cm (soft)

24 Vdc or ac @ 10 mA, Ground-referenced

Height: 4.1 in. 10.4 cm

Depth: 1.6 in. 4.1 cm

Width: 1.3 in. 3.3 cm

Height: 2.6 in. 6.6 cm

Depth: 1.6 in. 4.1 cm

Radio Design Labs Technical Support Centers

U.S.A. (800) 933-1780, (928) 778-3554; Fax: (928) 778-3506

Europe [NH Amsterdam] (+31) 20-6238 983; Fax: (+31) 20-6225-287