



RDL[®]
Radio Design Labs

SPECIALISTS IN PRACTICAL PRECISION ENGINEERING™

ACCESSORIES

Models **D-RC4RU**, **DS-RC4RU**, **DB-RC4RU**

4- Channel Remote Control



- Selection of 4 Audio Sources
- Single-Button Selection for Each Source
- Remote Selections of Balanced Audio Sources
- 3-pair (or 6-conductor) Remote Wiring
- Connections on Detachable Terminal Block
- Professional Aesthetic Appearance
- Companion to other RDL Remote Controls
- LED Indication

The D SERIES-RC4RU is part of the group of versatile wall-mounted products from Radio Design Labs. The standard mounting case can be directly fastened in North American electrical boxes or in RDL International wall boxes.

APPLICATION: The D SERIES-RC4RU is part of the RDL accessories group and is designed as a functional and visual complement to many other RDL remote controls such as the D-RLC2, D-RLC3 or RLC10K Remote Level Controls.

The -RC4RU is a wall-box mounted remote module designed to directly control RDL RACK-UP and HALF-RACK series 4-channel switching modules, such as the RU-SX4A Audio Switcher, RU-VSX4 Video Switcher, RU-AVX4 Audio/Video Switcher or HR-DSX4 Digital Audio Selector. The -RC4RU connects directly to the power and remote control or slave terminals of the RACK-UP or HALF-RACK module using a 3-pair cable (or a 6-conductor cable).

The front panel of the -RC4RU features four pushbuttons with four associated LEDs. Upon initial application of power, source 1 is selected. Touching any of the other 3 buttons de-selects source 1 and immediately selects the source corresponding to the button pushed. An LED adjacent to each button shows which source is selected. There are 4 output terminals on the -RC4RU. Each of these is an open-collector output, which is pulled to ground when the output is selected. The -RC4RU is capable of controlling multiple RACK-UP or HALF-RACK modules simultaneously.

In a typical installation, the -RC4RU is mounted adjacent to a RDL remote-level control such as the D-RLC2, D-RLC3 or D-RLC10K. The -RC4RU selects the audio source and the remote-level control permits adjustment of the level including turning the level fully off (Note: The D-RLC2, D-RLC3 or D-RLC10K work in conjunction with other RDL VCA modules, sold separately).

The -RC4RU is constructed on a durable polycarbonate-faced, powder-coated steel panel. Electronics are housed in a metal enclosure featuring a rear detachable terminal block for easy wiring. The attractive front panel graphics and quality construction make the -RC4RU the ideal choice in any high quality and economical wall-mounted remote control installation.

Wherever a 4-channel remote control is needed, the -RC4RU is the ideal choice. Use the -RC4RU individually with an RDL control module, or combine it side-by-side with other RDL remote accessories as part of a complete audio/video system.

ACCESSORIES

Models **D-RC4RU, DS-RC4RU, DB-RC4RU**
4-Channel Remote Control

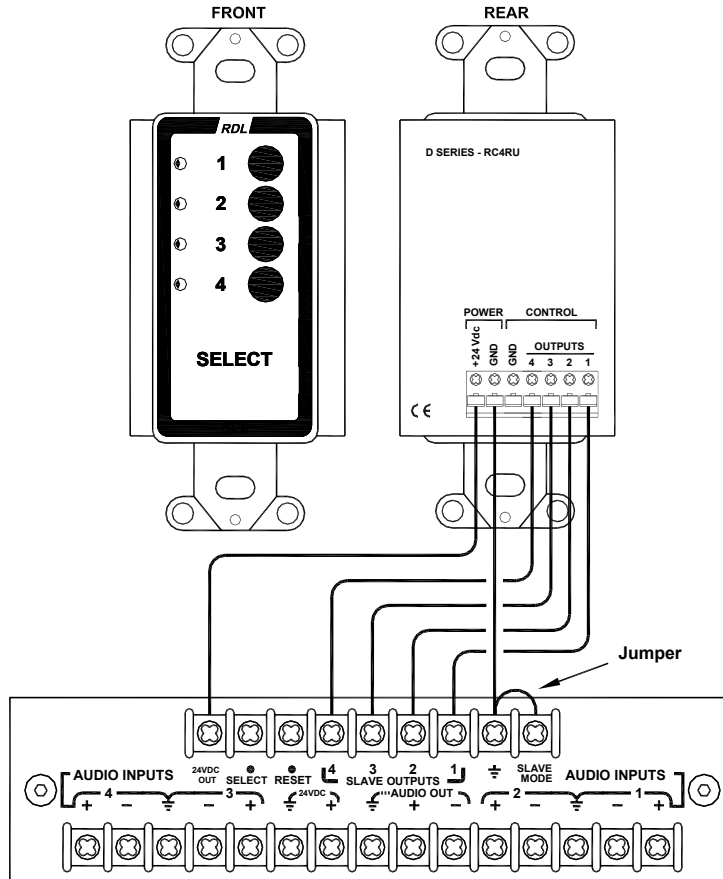
Installation/Operation



EN55103-1 E1-E5; EN55103-2 E1-E4; EN60065
Typical Performance reflects product at publication time exclusive of EMC data, if any, supplied with product. Specifications are subject to change without notice. This product is Professional Apparatus.

Mounting

The D-SERIES RC4RU should be mounted in an RDL WB-1U wall box or equivalent. The ambient operating environment must not exceed 40 degrees C.



When the SLAVE MODE jumper is used as shown, the SLAVE OUTPUTS terminals are reconfigured to be used as control inputs

Ground must be connected between the Module and the Remote Control

TYPICAL PERFORMANCE

Selectors:	4 Momentary Pushbuttons, 1 for each channel
Indicators:	4 LEDs, Indicates channel selected
Connections:	Interfaces directly with <i>RDL</i> RU-SX4A (Note: do not use with RU-SX4)
Power Requirement:	24 to 33 Vdc @ 30 mA, Ground-referenced
Mounting:	Mounts in US standard electrical box, decorative plate available separately

Dimensions:	Height: 4.11 in. (10.4 cm)
	Depth: 1.66 in. (4.21 cm)
	Width: 1.72 in. (4.37 cm)