



**RDL**<sup>®</sup>  
Radio Design Labs

SPECIALISTS IN PRACTICAL PRECISION ENGINEERING™

## ACCESSORIES

### Models D-RT2, DS-RT2, DB-RT2

#### Remote Control Selector



- Remote Selection of **ON** or **OFF**
- Single-Button Selection for Each Function
- Open -collector Switching
- Rear Panel Connections on Detachable Terminal Block
- 3-wire or 4- wire Remote Wiring
- Professional Aesthetic Appearance
- Ultra-Compact All Metal Construction
- LED Indication

The D SERIES-RT2 is part of the group of versatile wall-mounted products from Radio Design Labs. The standard mounting case can be directly fastened in North American electrical boxes or in RDL International wall boxes.

**APPLICATION:** The D SERIES-RT2 is part of the RDL accessories group and is designed as a functional and visual complement to many other RDL remote controls such as the D-RLC2, D-RLC3 or D-RLC10K Remote Level Controls.

The -RT2 is a wall-box mounted remote module designed to directly control equipment which utilizes pull-to-ground switching.

The front panel of the -RT2 features two pushbuttons with two associated LEDs. Upon initial power-up, the **OFF** mode is selected. Touching the other button de-selects **OFF** and immediately selects **ON**. An LED adjacent to each button shows which mode is selected.

In a typical installation, the -RT2 may be used to turn an audio or video source on or off. To turn on an audio source, the -RT2 may be connected to an RDL ST-SSR1 or ST-RX2 Solid-State Audio Switch. For video switching, an RDL TX-MVX may be used. In each of the above examples, only one output terminal is needed for triggering, therefore a single shielded pair (3-conductor cable) is required for remote connection. For more complex switching networks, both outputs (**ON** and **OFF**) may be used. In an audio or video control installation, the -RT2 may be mounted adjacent to an RDL remote volume control, such as the D-RLC2, D-RLC3 or D-RLC10K.

In an installation where a wall-mounted remote control is needed to power up a system or subsystem, the -RT2 may be connected to the control terminal of the RU-SQ6A Power-Up Sequencer. Other RDL modules using open-collector input switching may be connected to the -RT2, such as the STM-2X. In this case, the -RT2 provides a remote off/on switching of a mic.

The -RT2 is constructed on a durable polycarbonate-faced, powder-coated steel panel. Electronics are housed in a metal enclosure featuring a rear panel detachable terminal block for easy wiring. The attractive front-panel graphics and quality construction make the RT2 the ideal choice in any high quality and economical wall-mounted remote control installation.

In installations where ULTRASTYLE™ wall controls are preferred, use the RUC-4 Universal Remote. The -RT2 is part of the RDL accessories group and is designed as a functional and visual complement to many other RDL remote controls such as the D-RLC2, D-RLC3 or D-RLC10K Remote Level Controls.

ACCESSORIES

Models **D-RT2, DS-RT2, DB-RT2**  
Remote Control Selector

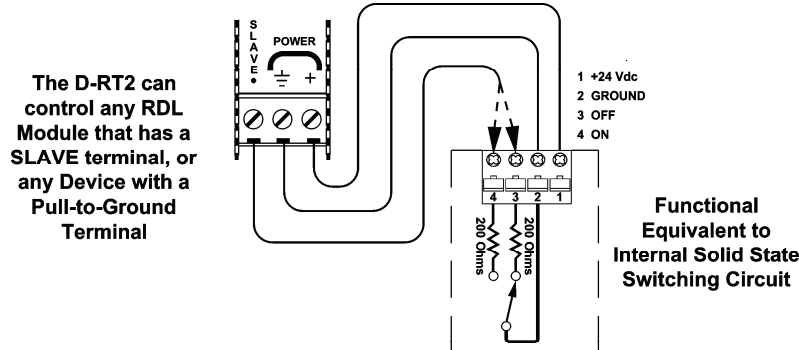
Mounting

The D SERIES-RT2 should be mounted in an RDL WB-1U wall box or equivalent. The ambient operating environment must not exceed 40 degrees C.

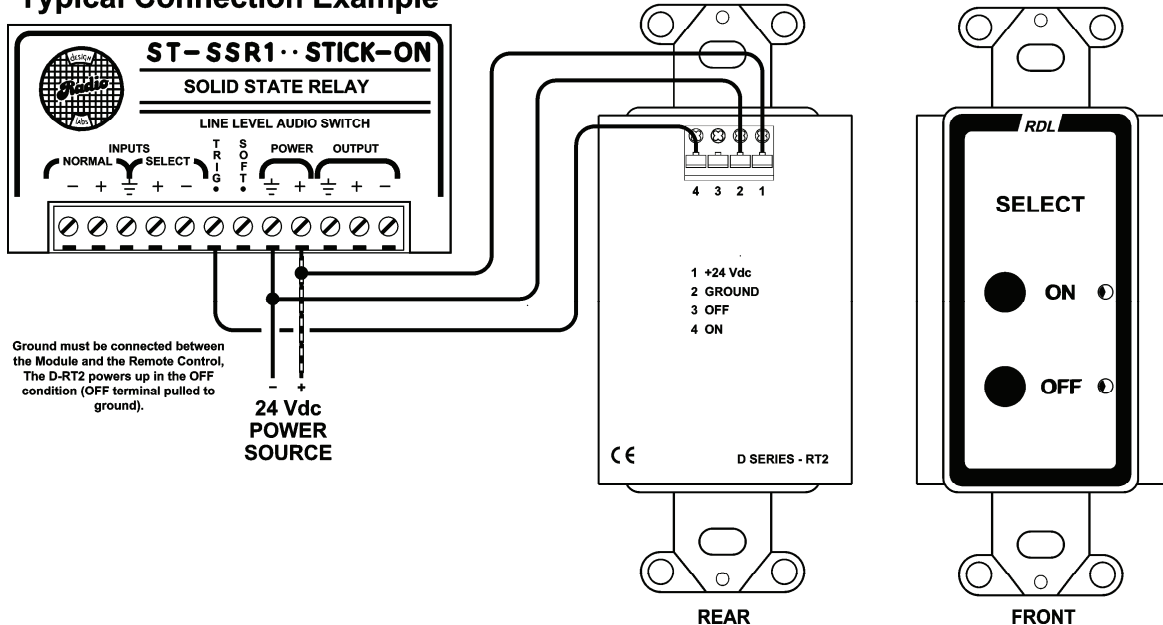
**Installation/Operation**



EN55103-1 E1-E5; EN55103-2 E1-E4; EN60065  
Typical Performance reflects product at publication time exclusive of EMC data, if any, supplied with product. Specifications are subject to change without notice. This product is Professional Apparatus.



**Typical Connection Example**



**TYPICAL PERFORMANCE**

Selectors: 2 Momentary Pushbuttons, 1 for **ON**, 1 for **OFF**  
 Indicators: 2 LEDs, Indicates status **ON** or **OFF**  
 Connections: Power input; Separate Open-collector outputs for **ON** and **OFF** (25 mA)  
 Power Requirement: 24 to 33 Vdc @ 30 mA, Ground-referenced  
 Mounting: Mounts in US standard electrical box, decorative plate available separately

Dimensions: Height: 4.11 in. (10.4 cm)  
 Depth: 1.66 in. (4.21 cm)  
 Width: 1.72 in. (4.37 cm)