



RDL[®]
Radio Design Labs

SPECIALISTS IN PRACTICAL PRECISION ENGINEERING™

ACCESSORIES SERIES

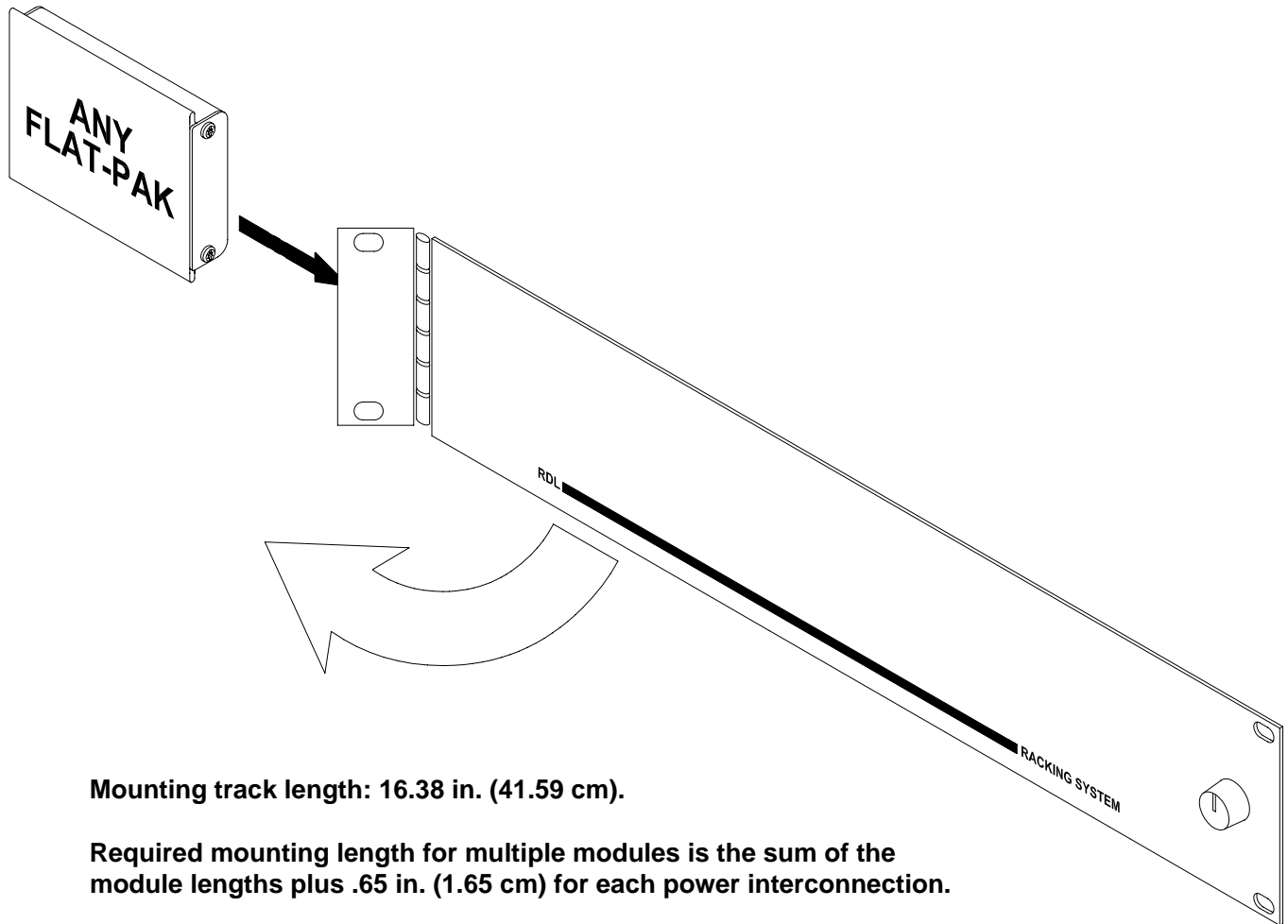
Model FP-RRAH

Rear Rack Adapter – Flat-Pak™ Series

Installation/Operation



EN55103-1 E1-E5; EN55103-2 E1-E4
Typical Performance reflects product at publication time
exclusive of EMC data, if any, supplied with product.
Specifications are subject to change without notice.



Mounting track length: 16.38 in. (41.59 cm).

Required mounting length for multiple modules is the sum of the module lengths plus .65 in. (1.65 cm) for each power interconnection.