

ACCESSORIES

REAR RACK ADAPTER

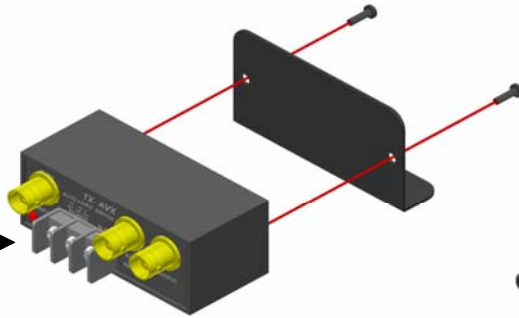
FP-RRB1, ST-RRB1 & TX-RRB1

Installation/Operation

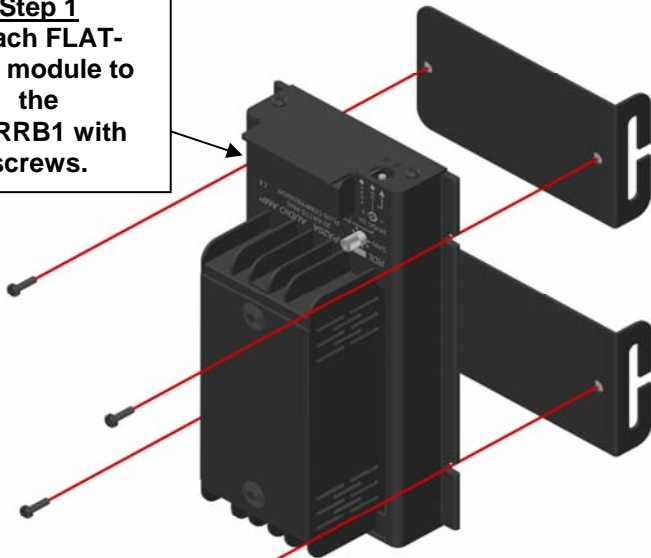


EN55103-1 E1-E5; EN55103-2 E1-E4
Typical Performance reflects product at publication time exclusive of EMC data, if any, supplied with product. Specifications are subject to change without notice.

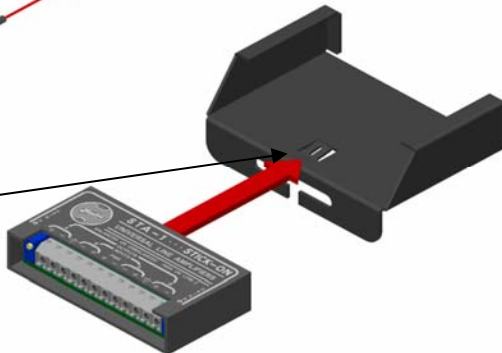
Step 1
Attach TX module to the TX-RRB1 with screws.



Step 1
Attach FLAT-PAK module to the FP-RRB1 with screws.



Step 1
Slide the STICK-ON onto the ST-RRB1. Once it is fully seated bend the locking tab up slightly to secure the module to the ST-RRB1.



Step 2
Attach RRB1 with appropriate module on to rear rack rail with supplied screws.

