

ACCESSORIES
Model RU-FP1R
RACK-UP Filler Panel

The RU-FP1R fills unused openings in any RACK-UP series mounting adapter.



Front



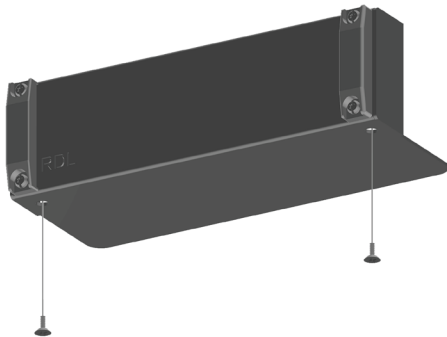
Rear

ACCESSORIES
Model RU-FP1R
RACK-UP Filler Panel

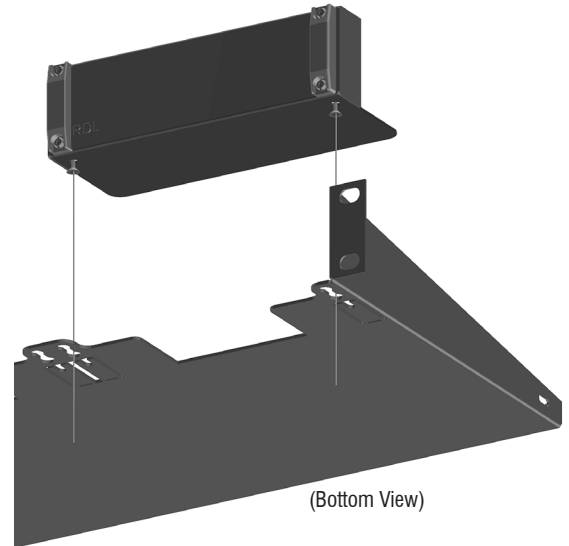
Installation/Operation



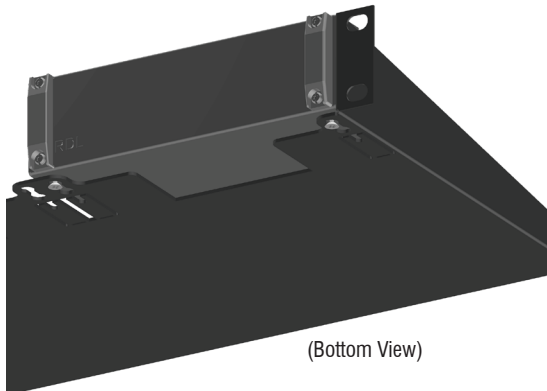
EN55103-1 E1-E5; EN55103-2 E1-E4
Typical Performance reflects product at publication time
exclusive of EMC data, if any, supplied with product.
Specifications are subject to change without notice.



STEP #1
Start the screws into the bottom of the RU-FP1R but do not install them all the way.



STEP #2
Place the RU-FP1R onto the chassis. The screw heads will pass through the rear position in the cutout.



STEP #3
Slide the unit forward until the screws are seated in the forward position of the cutout. Tighten the screws to secure the RU-FP1R in the chassis.