

Accessories

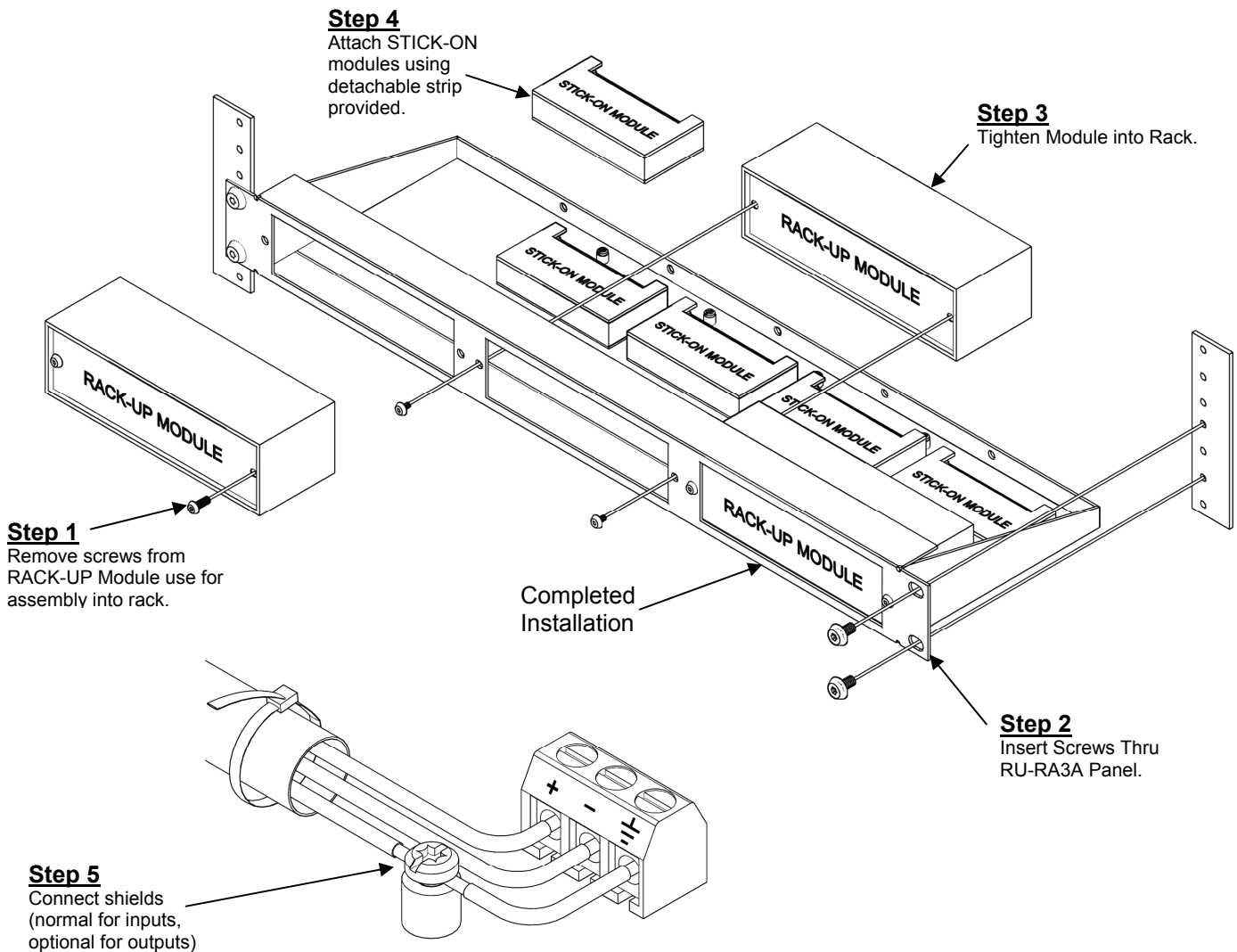
Model RU-RA3A

19" Rack Adapter

Installation/Operation

CE EN55103-1 E1-E5; EN55103-2 E1-E4
 Typical Performance reflects product at publication time exclusive of EMC data, if any, supplied with product. Specifications are subject to change without notice.

RU-RA3A



RC-1U

Install RACK-UP in front and or rear opening as for RU-RA3A, above.

NOTE: The RU-RA3A is not recommended for use with products incorporating the Max RU chassis