

PRO

MICROPHONES

PRODUCT SPECIFICATION SHEET

TYPE:

USB  
MICROPHONES

SAMSON

PRODUCT

**G-TRACK**

SERIES

**USB**

DESCRIPTION

**USB CONDENSER MIC AND AUDIO INTERFACE**

CATEGORY

**USB MICROPHONES**

## GENERAL DESCRIPTION

The G-Track features a large, 19mm, ultra thin diaphragm capsule with a high-quality, on-board analog-to-digital converter and USB output. Plus, the G-Track features a built-in audio interface with headphone output allowing the connection of an electric guitar, bass, keyboard, drum machine, MP3 player or just about any other signal source. The G-Track's input selector switch also provides the choice between mic/instrument input, so a user can record electric guitar and vocals in one take, or record left and right signals from stereo devices with the stereo line input.

The on-board mixer allows the setting of clean signals for recording by providing instrument and mic input level controls, plus a peak LED to help set a hot level without clipping. In addition, the G-Track employs a clever monitoring system that allows a variety of playback options for headphones or monitors with zero latency. Using the direct monitor switch, it's easy to select CPU to hear only the computer, direct mono to hear the mic and guitar input in both sides of the phones, or direct stereo for keeping the left and right image while using the line inputs.

The G-Track comes with everything needed to get started recording on any computer, including a USB cable along with guitar and stereo line input cables for connecting to just about any instrument or audio device. There's even a convenient swivel mount and desk stand included in the package. The G-Track is perfect for recording music or any acoustic audio source on a DAW (Digital Audio Workstation).

The G-Track faithfully reproduces a variety of sound sources including vocals, acoustic string and wind instruments, percussion, even overhead cymbals. Its extended frequency response ensures an accurate reproduction with linear characteristics from bottom to top. Whether recording music, vocals or a podcast, the G-Track is the simplest and most comprehensive solution for high-quality recording on a Mac or PC.



## FEATURES

- > Large diaphragm, 19mm studio condenser microphone
- > Mic and instrument/line gain control
- > Stereo input jacks for instruments or line level signal
- > Stereo headphone jack for no-latency monitoring with level control
- > 3-position headphone switch for stereo, mono, computer monitoring
- > USB bus-powered and compliant
- > Audio I/O and USB cables included
- > Desktop microphone stand included
- > Comes with Cakewalk® Sonar LE

**PRODUCT SPECIFICATION SHEET**



SERIES  
**USB**

DESCRIPTION  
**USB CONDENSER MIC AND AUDIO INTERFACE**

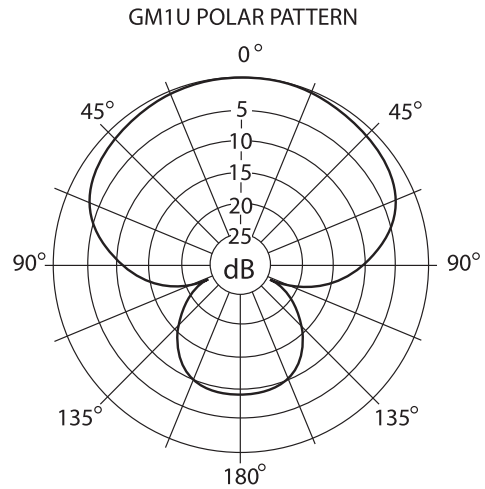
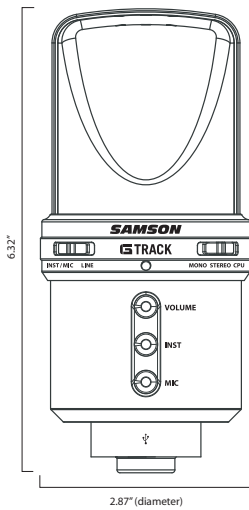
CATEGORY  
**WIRELESS**

**ARCHITECT'S & ENGINEER'S SPECIFICATIONS**

The G Track from Samson shall be a large diaphragm studio condenser mic with a USB audio interface in a single package. It shall have an instrument/line input with volume control. The G Track shall have a headphone output with volume control and the mic shall have a mic gain trim control. The G Track shall be a USB compliant audio interface that connects via USB to any USB I/O on a PC or Mac computer. No special drivers shall be necessary. There shall be an input selector switch to switch between mic and instrument or stereo line signal source. There shall be a monitor select switch to switch between stereo, mono, or computer monitoring. All cables and a desktop stand shall be included. The headphone output shall also be able to drive computer speakers or powered studio monitors directly.

**G-TRACK SPECIFICATIONS**

<b>Frequency Response</b> .....	20 – 16 kHz
<b>Polar Pattern</b> .....	Supercardioid
<b>Element Type</b> .....	Electret condenser type
<b>Diaphragm Thickness</b> .....	3 microns
<b>Sensitivity</b> .....	-40 ± 3 dB/Pa
<b>SPL</b> .....	132 dB
<b>Dimensions</b> .....	6.32" / 160.5mm (height) 2.87" / 73mm (diameter)
<b>Weight</b> .....	1.38 lbs • .626 kg



**GM1U FREQUENCY RESPONSE**

