

# e 935 Professional vocal microphone

## FEATURES

- Metal construction: Rugged and reliable
- Shock-mounted capsule: Low sensitivity to impact and handling noise
- Cardioid pick-up pattern: Insulation from other on-stage signals
- Hum compensating coil: Reduces electrical interference
- Neodymium ferrous magnet with boron: Keeps microphone stable regardless of climate
- Falcon ring: Consistent sound over time

The **e 935** is a cardioid vocal stage microphone specially designed to perform under pressure while cutting through the mix with its high output. Made for the working musician. Excellent sound results guaranteed, day to day, 365 days a year. First choice for rental companies.



## ARCHITECT'S SPECIFICATIONS

The microphone shall be a dynamic cardioid designed for vocal stage use. It shall have a rugged metal body and a shock-mounted capsule and shall be fitted with a hum compensating coil. The frequency response shall be 40 Hz–18,000 Hz and the sensitivity (free field, no load) shall be 2.8 mV/Pa at 1 kHz. Nominal impedance shall be 350 Ω, with a min. terminating impedance of 1 kΩ. The microphone shall provide a 3-pin XLR connector. Dimensions shall be 47 x 151 mm (1.85" x 5.94"). Weight shall be 355 grams (12.52 oz). The microphone shall be the Sennheiser e 935.

## TECHNICAL DATA

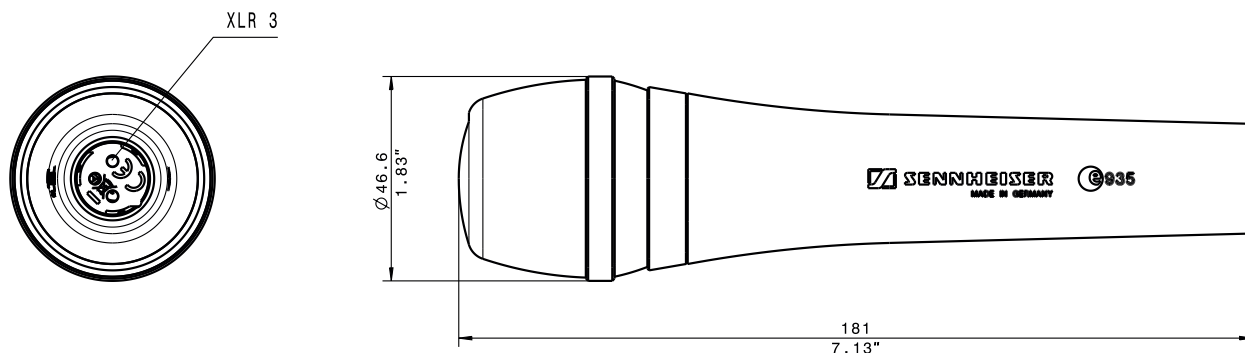
Transducer principle .....	dynamic
Pick-up pattern.....	cardioid
Frequency response .....	40.....18,000 Hz
Sensitivity (free field, no load at 1 kHz) .....	2.8 mV/Pa = -51 dB (0 dB = 1 V/Pa) = -71 dB (0 dB = 1 V/ubar)
Nominal impedance.....	350 Ohm
Min. terminating impedance.....	1000 Ohm
Connector.....	XLR-3
Dimensions.....	47 x 151 mm
Weight.....	355 g

## DELIVERY INCLUDES

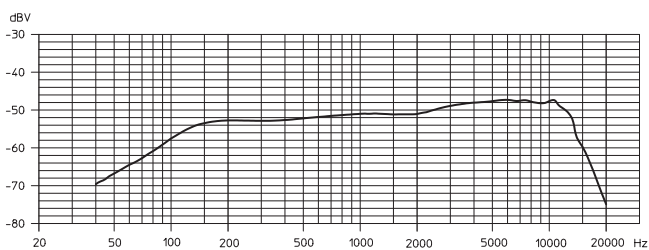
- 1 e 935
- 1 MZQ 800 microphone clamp
- 1 pouch
- Instructions for use

## e 935 Professional vocal microphone

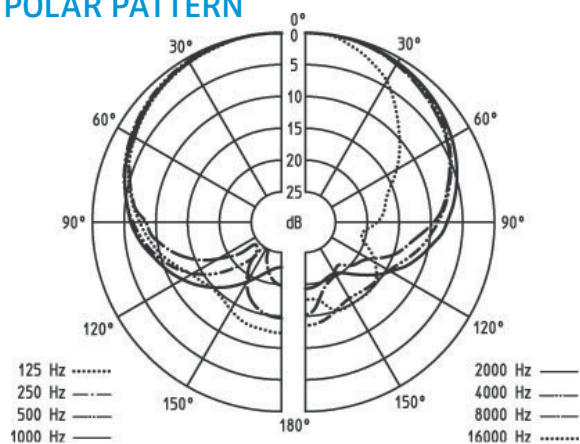
### DIMENSIONS



### FREQUENCY RESPONSE



### POLAR PATTERN



### RECOMMENDED ACCESSORIES

MZQ 800 – universal stand adapter clip for most Evolution handheld wired microphones  
Cat. No. 004711

Sennheiser electronic GmbH & Co. KG  
Am Labor 1, 30900 Wedemark, Germany  
www.sennheiser.com

**SENNHEISER**