

DVX200

The DVX200 Extends any Single-Link DVI-D Signal up to 220 Feet Using CAT5e or CAT6 Shielded Cable



Using SmartAVI's DVX200, you can Extend your DVI-D Connection to your Computer Monitor via an Inexpensive, Twisted Pair Cable

The DVX200 is a transmitter/receiver set. The transmitter is placed close to your computer so that it may be attached and convert any DVI-D high-resolution video via a CAT5 or CAT6 shielded cable. The signal is then transmitted via the extender to the receiver unit, which is placed near your monitor. The DVX200's receiver will then convert the signal back to DVI-D, keeping the original quality of the image or video you're sending crystal clear, without any loss whatsoever.

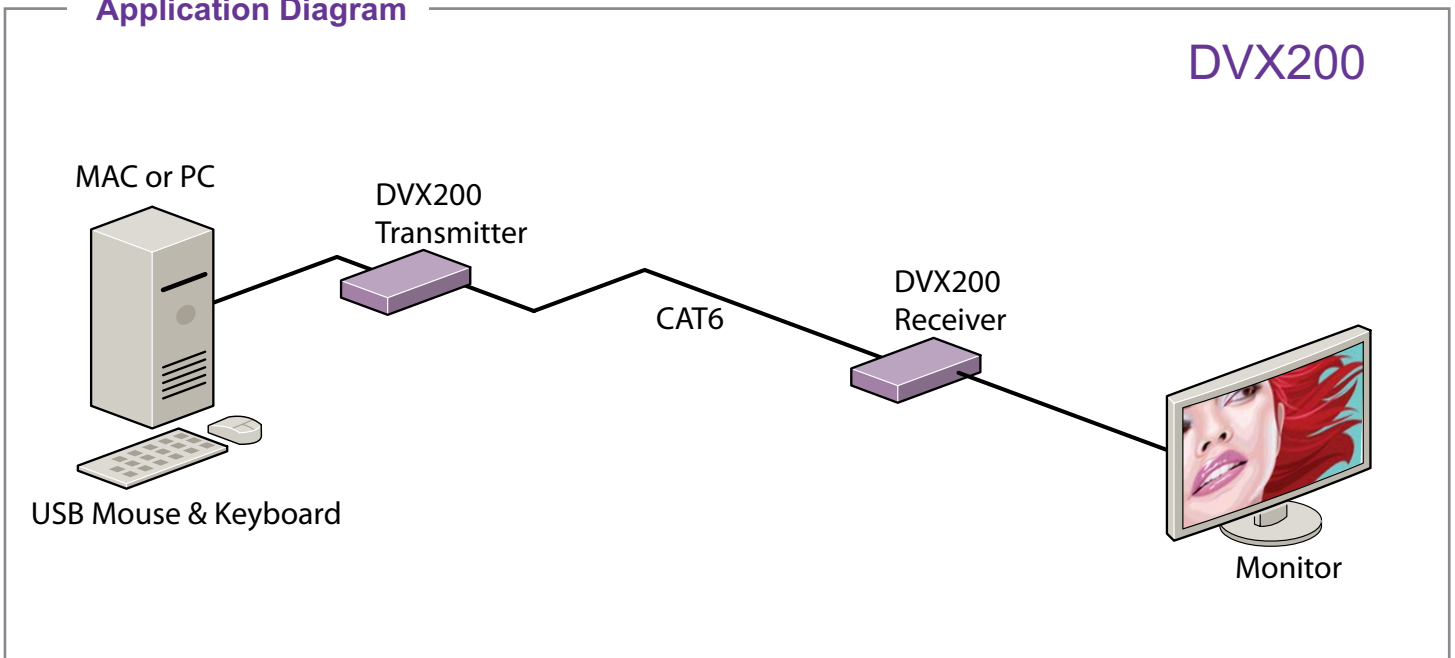
Features

- Top Image Quality at all Resolutions
- Video Resolutions up to 1920 x 1200 @ 60Hz (1280 x 1024 @ 75Hz) on all Distances up to the Maximum Distance
- User Selectable: DCC-Information MAC or PC
- Distances: 220 Feet with CAT6 STP Cable
- Compatible with all Operating Systems
- Compatible with all Major KVM Switches
- Rack Mount Options (19)
- Supports MAC and PC DVI-D
- No Degradation of Video Quality
- LEDs Indicate Power and Loss of Clock Signal
- External Power Supplies
- Silent Fanless Operation



Application Diagram

DVX200



Applications

- Perfect Image Quality at all Resolutions
- Call Centers (co-locate users' computers)
- Industrial (protection against pollution)
- Information Terminals & Kiosks
- Airports (air traffic control, passenger information systems)
- Medical (using computer tomographs generates strong magnetic fields, which make it impossible to use monitors)

Specifications

Video Interface

DVI-D

Resolution

1920 x 1200@60Hz, Resolution up to 1280 x 1024 min. 75Hz

Power Supply

Universal Switch mode PSU (90-240 Input) 5VDC

Input Interface

DVI-D (Single Link)

Upgradeable

Onboard Flash

Dimensions

2.812"W x 3.437"L x .875"H

Transmitter



Receiver



Order Info

| Model | Description |
|-----------|--|
| DVX200 | Transmitter and Receiver for DVI over CAT6 |
| DVX-RX200 | DVX Receiver, Receiver DVI over STP cable |
| DVX-TX200 | DVX Transmitter, Transmitter DVI over CAT6 |

Many leading companies have recognized and embraced the innovation of SmartAVI's technologies and have successfully incorporated them into their organizations. Users of SmartAVI include:

