

XT400



BROADCAST HIGH RESOLUTION SXGA, STEREO AUDIO, RS232 AND IR
HIGH RESOLUTION VGA DISTRIBUTION SYSTEM

VGA distribution system using CAT5 unshielded twisted pair cabling

Use a single CAT5 cable to broadcast high-resolution SXGA, stereo audio, RS232 and IR to 4 stations up to 1,000 feet away.

The XT400 range of products allows the extension of a wide range of video and audio formats and RS232 up to 4 locations using Category 5 Unshielded Twisted Pair (UTP) cables.

With RS232 communication support the XT400 allows users to send commands to single or multiple devices. This allows the user to change the volume, channel or turn on/off the display panel remotely.

FEATURES:

- Supports Local Screens.
- Uses easy to install, inexpensive CAT-5/5e/6/7/8.
- Each output reaches up to 1,000 feet (300 m).
- Supports high resolution video up to 1920x1200.
- HDTV Compatible (720p, 1080i, 1080p)
- 300 MHz Bandwidth.
- Sends high-resolution VGA, Stereo Audio signals, RS232 or IR from one source to 4 locations.
- Compatible with VGA, XGA, Sun, MAC and SGI
- Sync Format / Polarity Preservation.
- Compatible with Line Level Stereo Audio Signals.
- High ground loop immunity.
- Built-in power surge and transient protection.
- Designated trimmer in the remote unit to compensate for cable length.
- Compact Metal Case Enclosure.
- External power supply.
- RS-232c Communication support to single or multiple Displays.
- IR command to single or multiple Displays.

APPLICATIONS:

Presentations

Enhances any presentation from commercial products to corporate financial data. It can be used in show rooms, board rooms, trade shows and window displays.

Data Broadcasting

Data such as news, stock prices, sports results, and flight information can be broadcast in real time to various monitors and/or speakers.

Learning and Training

XT400 can be used in educational presentations to multiple locations, in schools and in other training facilities.

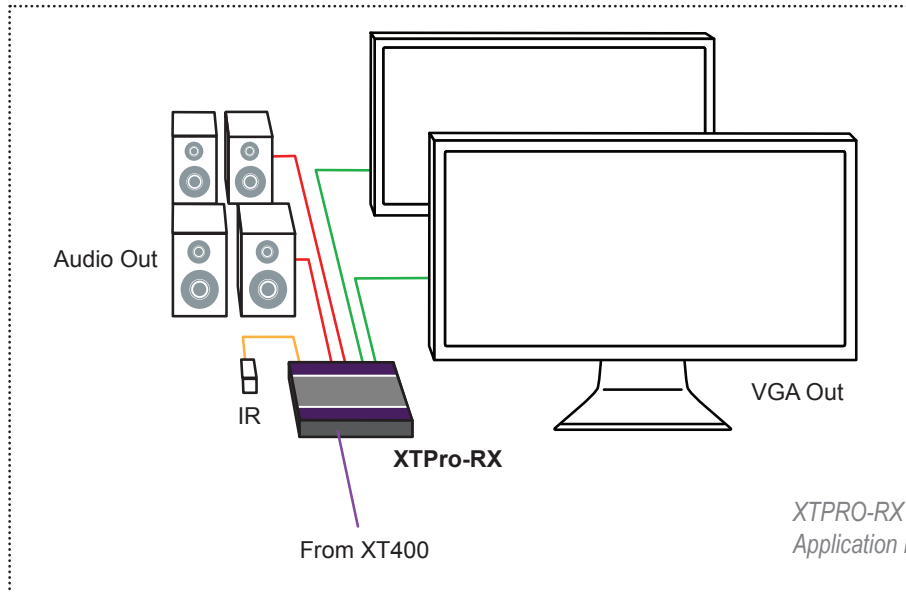
RECEIVERS SUPPORTED

The XT400 distribution system works in concert with existing Smart-AVI receivers and accessories.

XTPRO-RX:

XTPRO is a high resolution UXGA and stereo audio extender system designed to broadcast desktop video, stereo audio signals, IR and RS232 over unshielded twisted pair (UTP) cabling.

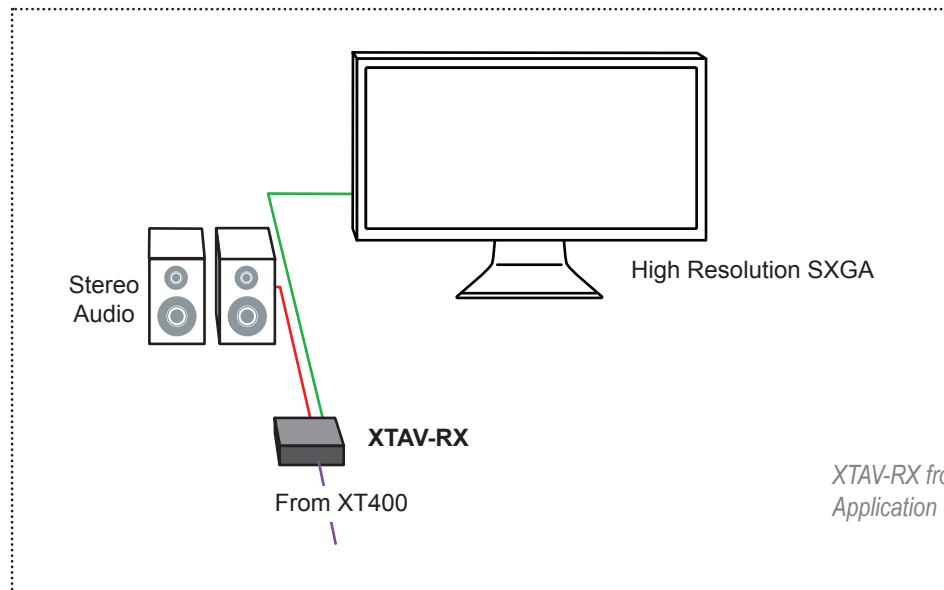
With RS232 communication support the XTPRO allows users to send commands to single or multiple devices. This allows the user to change the volume, channel or turn on/off the display panel remotely.



*XTPRO-RX from XT400
Application Diagram*

XTAV-RX:

XT-AV is a high resolution UXGA and stereo audio extender system designed to broadcast desktop video, and stereo audio signals over unshielded twisted pair (UTP) cabling.

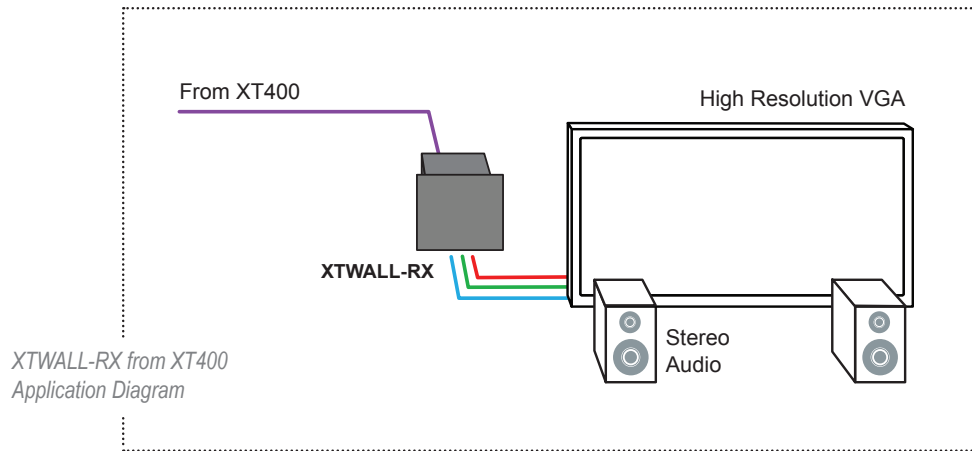


*XTAV-RX from XT400
Application Diagram*

XTWALL-RX:

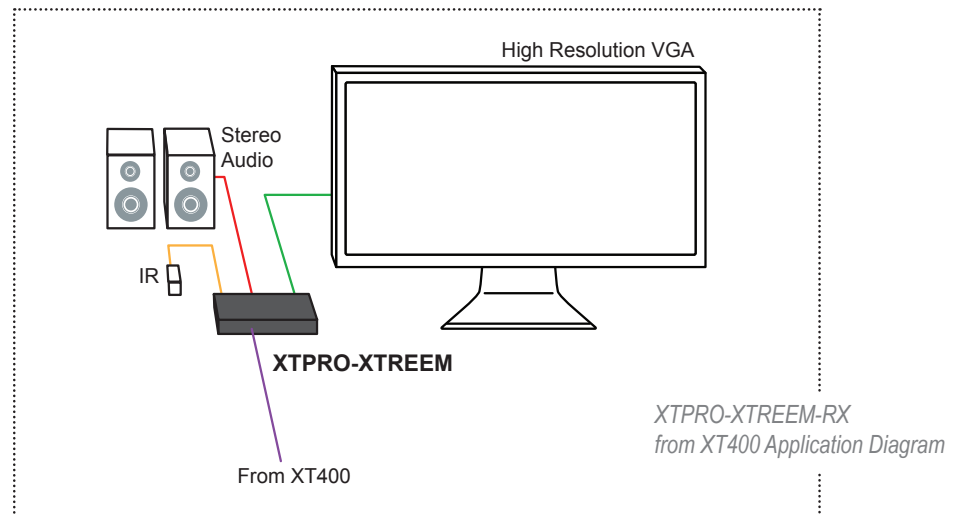
XTWALL is a high resolution UXGA and stereo audio extender system designed to broadcast desktop video, stereo audio signals, IR and RS232 over a single unshielded twisted pair (UTP) cable. Its unique wall mounted design integrates into any interior.

With RS232 communication support the XTWALL allows users to send commands to single or multiple devices. This allows the user to change the volume, channel or turn on/off the display panel remotely.



XTPRO XTREEM-RX:

Smart-AVI's XTPro Xtrem VGA extender breaks through conventional distance limitations of video signal transmission over Cat5, boosting VGA (WUXGA) signals to 1,799 feet.



IR-EYE: Recieve infrared signals from virtually ANY remote control device

In many audio visual applications, it may be necessary to place a media center device such as a satellite receiver, video player or set-top box in a centralized location that is not in the line-of-sight of the display. Because of this, remote controls for those devices will not work. To correct this, the IR-EYE receives the signals from the remote control and sends them to the media center device by way of an infrared extender.

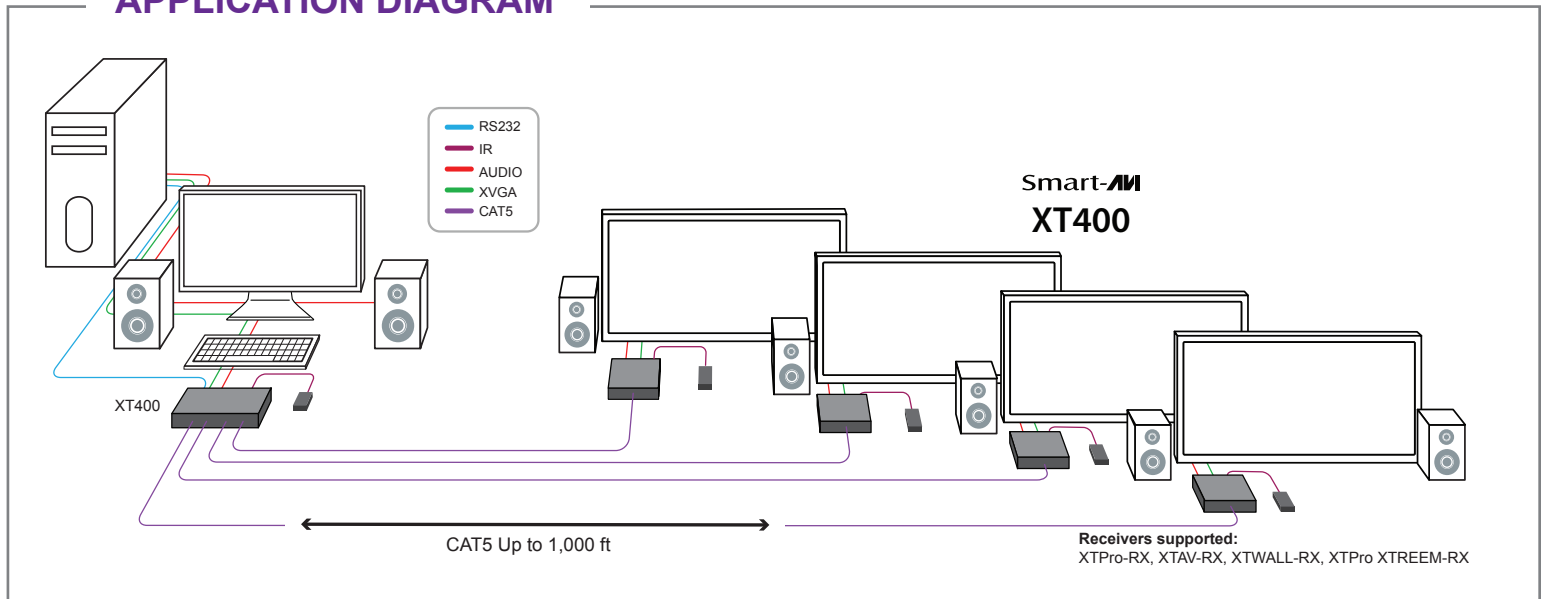


Take full control of your remote screens

With XT400 you get full RS232 bidirectional communication to your remote screens. This gives you the power to access information such as screen operation logs from your remote locations. You gain valuable insight into when and how the screen is being used, it's effectiveness and how much life is left on your screen. You can also send power commands such as on/off to one or all of the screens in the group.

The RS232 feature saves you time and money by better managing and prolonging the life of your digital signage network.

APPLICATION DIAGRAM



SPECIFICATIONS

XT400 Specifications

VGA DATA	
Format	RGBHV, RGsB, YUV, Y/C, CVBS
Resolution	Up to 1900 x 1200 VGA, SVGA, XGA, SXGA)
Connector Type	HD 15 socket
RS232	
	DB9M
	TXD, RXD, Gnd.
	9600 bps
AUDIO	
Signal Type	Stereo unbalanced
Connector	3.5mm jack socket
POWER	
Requirements	5VDC @.5A
Connector	2.1mm DC jack (center +ve)
PHYSICAL	
Dimensions	22 x 11.8 x 2.7cm (3.1with pegs)
Weight	.8 lbs or .36 kg

IR	
Input Interface (TX)	(1) 3.5 mm (Female)
Output Interface (RX)	(1) 3.5 mm (Female)
IR Frequency Range	30KHz to 80KHz
Emitter Distance	Up to 10'
Connector	3.5mm Stereo jack for emitter and IR eye
RECEIVERS SUPPORTED	
XTPro-RX, XTAV-RX, XTWALL-RX, XTPro XTREEM-RX	

ORDERING INFORMATION	
Part No.	Description
XT-TX400S	UXGA/Audio/IR/RS-232 point-to-multi-point CAT5 Extender, 4-Port Transmitter. Includes: [XT-TX400, (CCVGAMM06), & (PS5VD2A)]



Designed and Manufactured in the USA

Smart-AVI
SMART AUDIO VIDEO INNOVATION