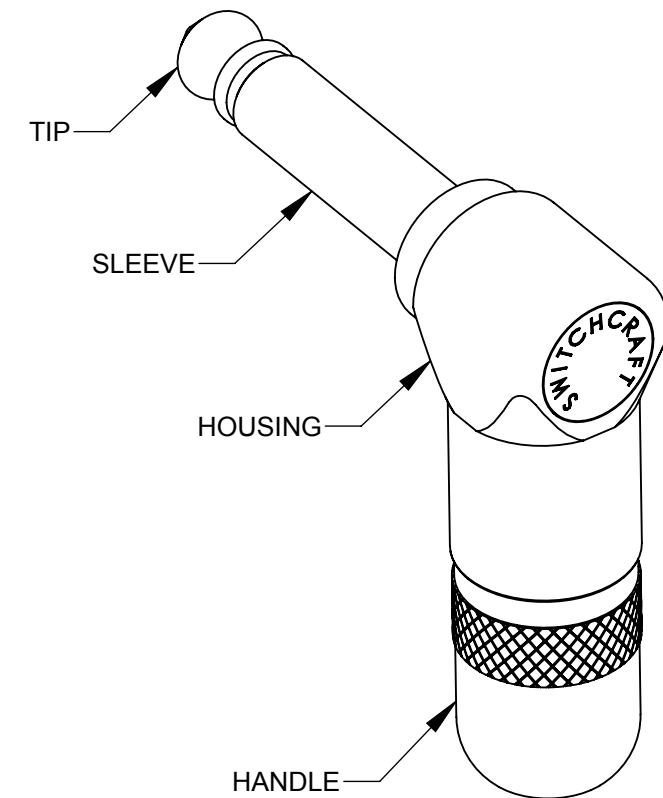
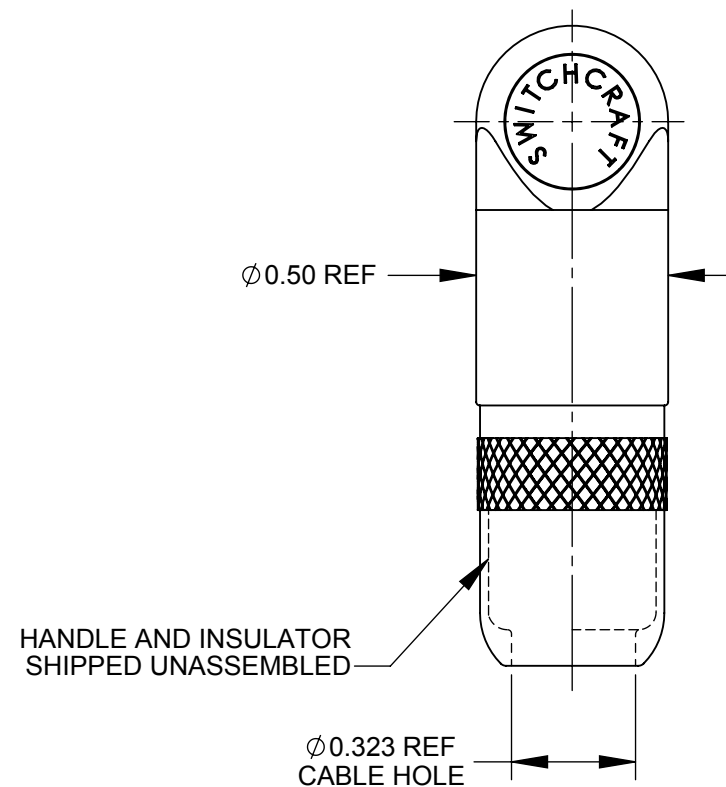


VIEW WITHOUT HANDLE AND INSULATOR



NOTES:

1. MATERIALS:
 - TIP ROD AND HANDLE - BRASS, NICKEL PLATED
 - HOUSING AND SLEEVE - ZINC DIE CAST, COPPER AND NICKEL PLATED
 - TIP TERMINAL - BRASS, TIN PLATED
 - SLEEVE (CLAMP) TERMINAL - STEEL, TIN PLATED
 - INSULATION - THERMOPLASTIC

ELECTRICAL
 - DIELECTRIC WITHSTANDING VOLTAGE : 500 VAC
 - INSULATION RESISTANCE: 50,000 MEGOHMS MINIMUM (INITIAL)

OPERATING TEMPERATURE
 - 20°C TO +65°C

MATING JACK
 - TYP, 1/4 INCH, COMMERCIAL TYPE, 2 CONDUCTOR PHONE JACK

2. THIS PRODUCT IS RoHS COMPLIANT

CUSTOMER DRAWING

REV	ECO NUMBER	DATE	BY	APVD
A	REL TO PROD 25868	10-28-09	JEB	TJK
REVISIONS				

UNLESS OTHERWISE SPECIFIED
 1. ALL DIMENSIONS IN INCHES
 - TWO PLACE DECIMALS ±0.02
 - THREE PLACE DECIMALS ±0.005

DO NOT SCALE DRAWING

THIS DRAWING DESCRIBES A DESIGN CONSIDERED PROPRIETARY IN NATURE, DEVELOPED AND MANUFACTURED BY SWITCHCRAFT INC. AND IS RELEASED ON A CONFIDENTIAL BASIS FOR IDENTIFICATION PURPOSES ONLY.									
SIZE *	WIDTH *	MULT *	LBS/M *	TEMPER *					
FINISH *					MATERIAL *				
SPEC No. *					SPEC No. *				
FIRST USED ON *			SCALE 2:1		Switchcraft [®]				
DATE DRAWN	BY	CHKD	APVD						
04-21-08	BDS	BDS	BDS		SHEET 1 OF 1				
NAME			RA PHONE PLUG, Ø0.323 CABLE, RoHS		PART No.			REV	
					226L			A	