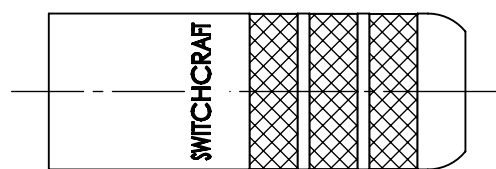
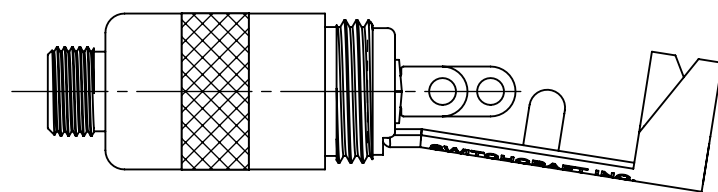
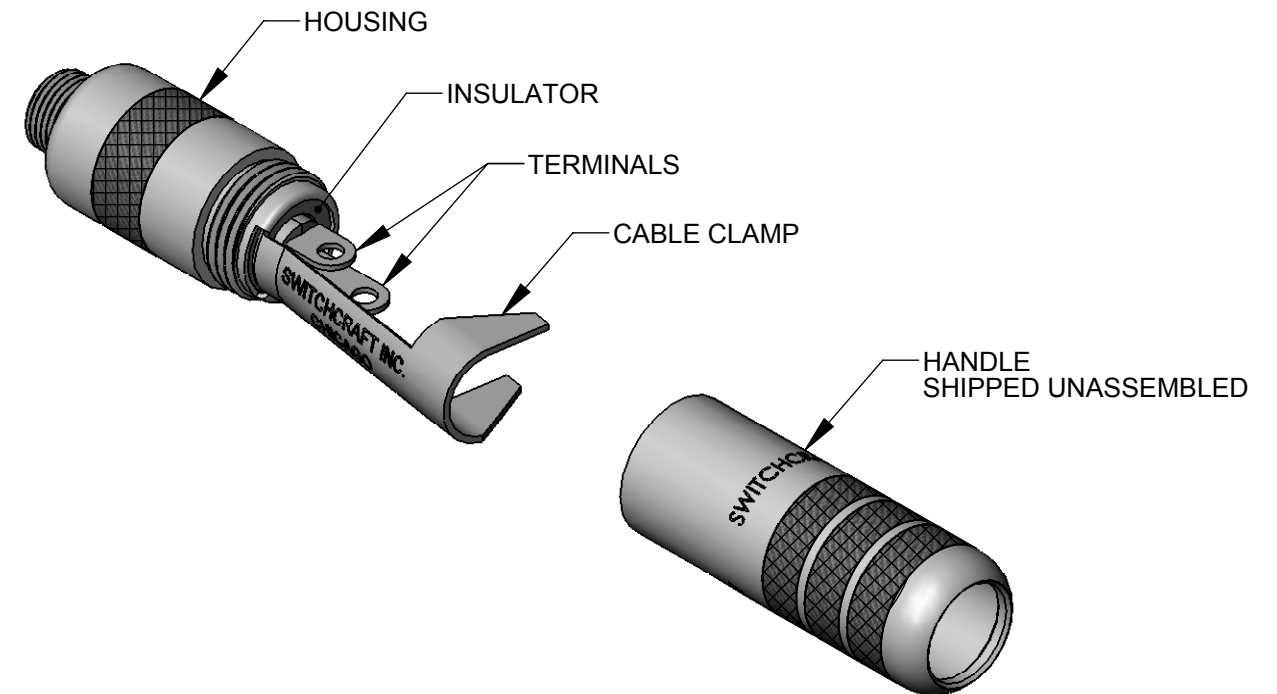
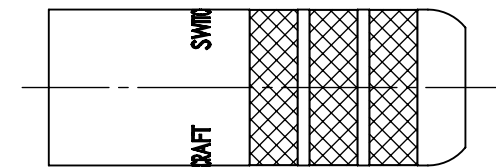
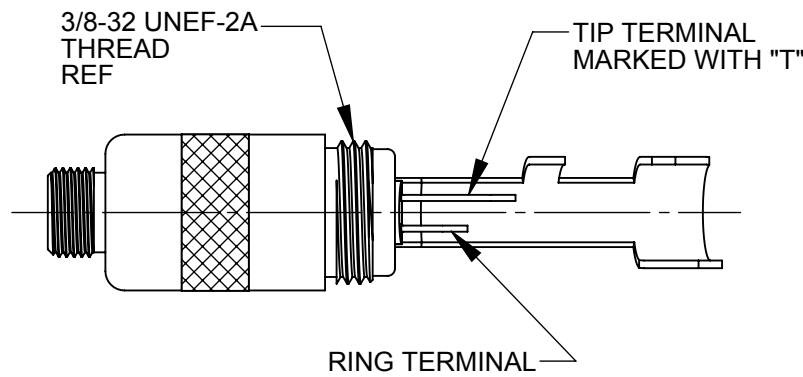


PART NUMBER CHART



CUSTOMER DRAWING

NOTES:

- MATES WITH LOCKING FEATURE OF 35HDL SERIES PLUGS.
- MATERIALS:
 HOUSING - COPPER ALLOY, NICKEL PLATED
 INSULATOR - THERMOPLASTIC, BLACK
 CONTACTS - BERYLLIUM COPPER, SEE CHART FOR PLATING.
 CABLE CLAMP - COLD ROLLED STEEL, TIN PLATED.
 HANDLE - COPPER ALLOY, NICKEL PLATED.
- THIS PRODUCT IS RoHS COMPLIANT.

| REV | ECO NUMBER | DATE | BY | APVD |
|-----------|------------|----------|-----|------|
| A | 26677 | 01-07-11 | JEB | TJK |
| REVISIONS | | | | |

UNLESS OTHERWISE SPECIFIED

1. ALL DIMENSIONS IN INCHES
 - TWO PLACE DECIMALS ±0.02
 - THREE PLACE DECIMALS ±0.005

DO NOT SCALE DRAWING

| | | | | | | | | | |
|--|-------|------|-------|--------------|----------|--|-----|--|--|
| THIS DRAWING DESCRIBES A DESIGN CONSIDERED PROPRIETARY IN NATURE, DEVELOPED AND MANUFACTURED BY SWITCHCRAFT INC. AND IS RELEASED ON A CONFIDENTIAL BASIS FOR IDENTIFICATION PURPOSES ONLY. | | | | | | | | | |
| SIZE | WIDTH | MULT | LBS/M | TEMPER | | | | | |
| FINISH | | | | | MATERIAL | | | | |
| SPEC No. | | | | | SPEC No. | | | | |
| FIRST USED ON | | | | SCALE 2:1 | | | | | |
| DATE DRAWN | BY | CHKD | APVD | Switchcraft® | | | | | |
| 09-16-09 | BS | JEB | TJK | SHEET 1 OF 1 | | | | | |
| NAME | | | | PART No. | | | REV | | |
| 3.5 MM EXTENSION JACK, RoHS | | | | 35LJN_SERIES | | | A | | |