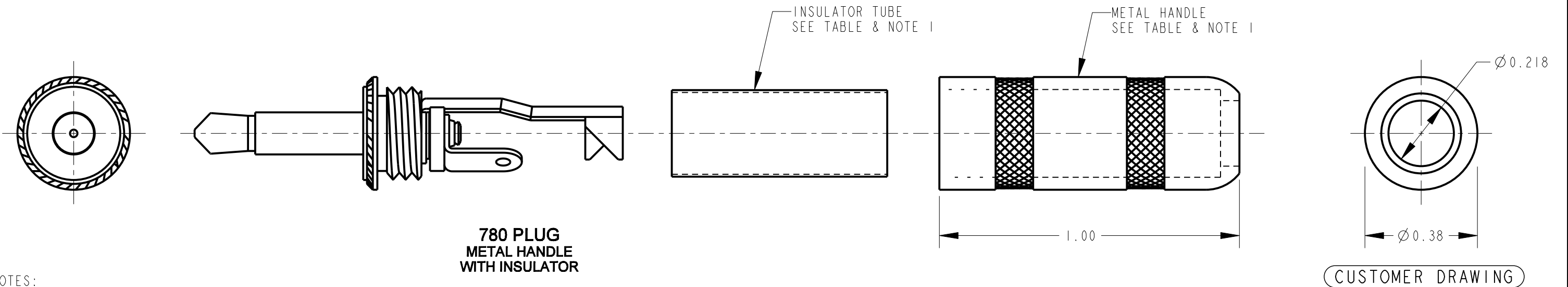
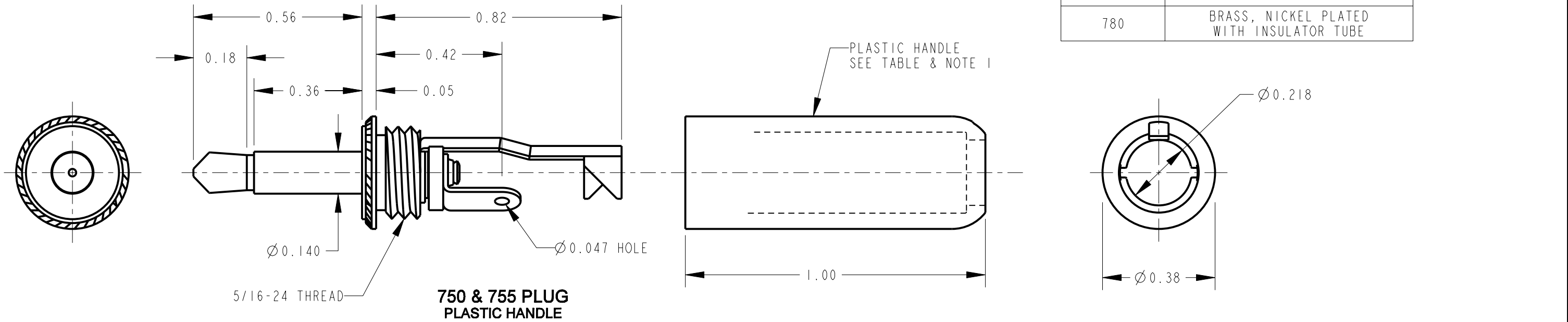


PART NUMBER	HANDLE - MATERIAL AND FINISH
750	THERMOPLASTIC, BLACK
755	THERMOPLASTIC, RED
780	BRASS, NICKEL PLATED WITH INSULATOR TUBE



NOTES:

- HANDLE AND INSULATOR SHIPPED UNASSEMBLED.
- MATES WITH SWITCHCRAFT #41 JACK.
- MATERIALS:
 PLUG BODY - BRASS, NICKEL PLATED
 TIP ROD - BRASS, NICKEL PLATED
 PLUG INSULATORS - PHENOLIC & MYLAR
 TERMINALS - BRASS, TIN PLATED
 SCREWS - BRASS, NICKEL PLATED
 HANDLE AND INSULATOR TUBE - SEE TABLE
- THESE PRODUCTS ARE RoHS COMPLIANT.

REV	ECO NUMBER	DATE	BY	APVD
E	27210	10-18-13	TO	TJK
D	26777	5-23-11	TJK	TJK
REVISIONS				

★ STAR SYMBOL DENOTES CRITICAL DIMENSION

UNLESS OTHERWISE SPECIFIED

- ALL DIMENSIONS IN INCHES
 - TWO PLACE DECIMALS ±0.01
 - THREE PLACE DECIMALS ±0.005
 - ANGLES ±1°
 - ALL DIA. CONCENTRIC WITHIN 0.005 T.I.R.
- FEATURES ON THE SAME CENTERLINE MUST BE ALIGNED WITHIN ±0.002
- REMOVE ALL BURRS

DO NOT SCALE DRAWING

THIS DRAWING DESCRIBES A DESIGN CONSIDERED PROPRIETARY IN NATURE, DEVELOPED AND MANUFACTURED BY SWITCHCRAFT INC. AND IS RELEASED ON A CONFIDENTIAL BASIS FOR IDENTIFICATION PURPOSES ONLY.									
SIZE		WIDTH		MULT		LBS/M		TEMPER	
FINISH SPEC No.					MATERIAL SPEC No.				
FIRST USED ON				SCALE 3:1					
DATE DRAWN	BY	CHKD	APVD	Switchcraft®					
19-May-64	JRT	CJD 7-6-64	LG 7-7-64	SHEET		OF		I	
NAME TINI PLUG, 2 CONDUCTOR WITH SOLDER TERMINALS, RoHS			PART No.		750 755 780		REV		E