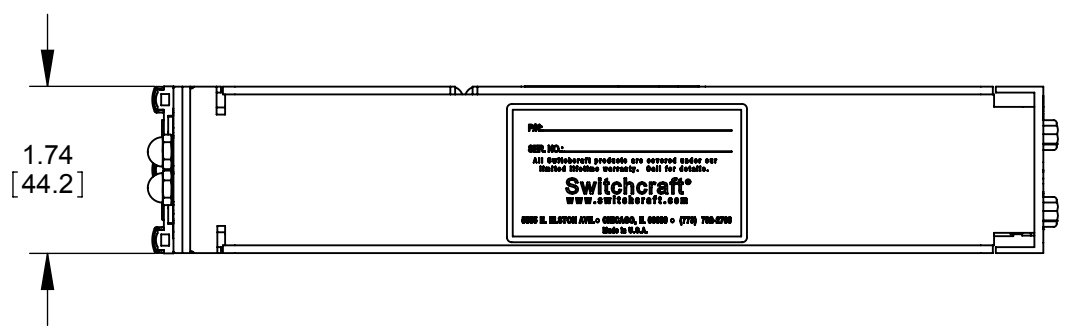
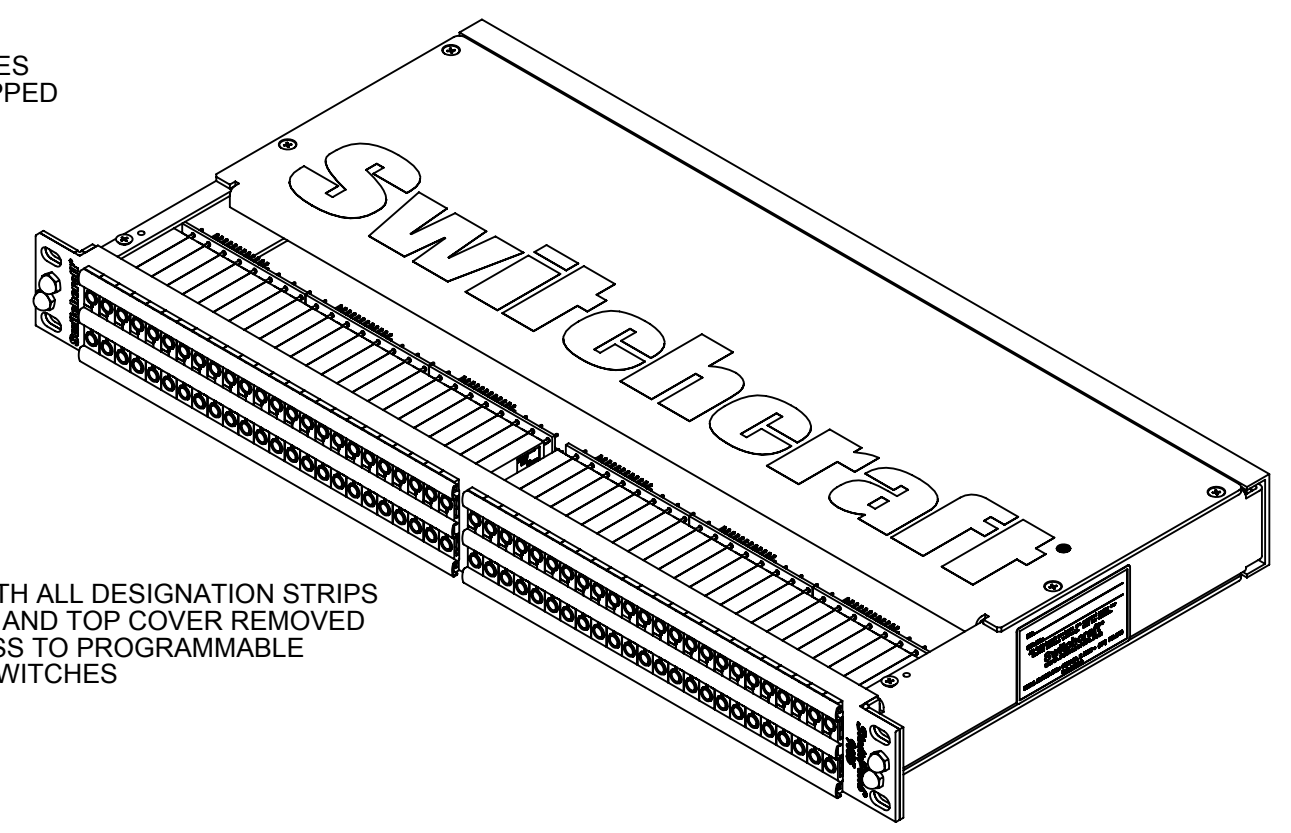
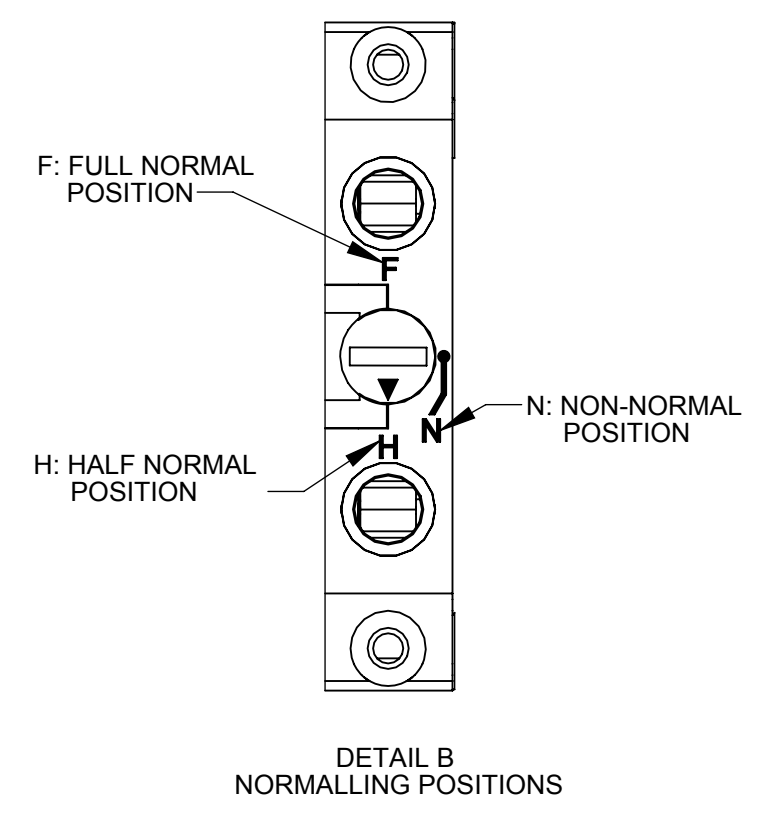
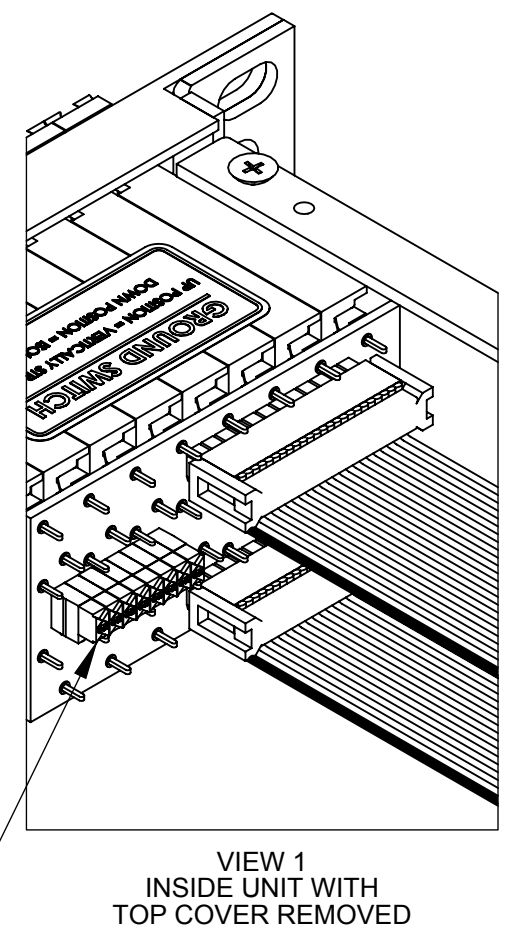


DB25 WIRING CHART

JACK (CHANNEL)	TIP (HOT)	RING (COLD)	SLEEVE (GROUND)
1	24	12	25
2	10	23	11
3	21	9	22
4	7	20	8
5	18	6	19
6	4	17	5
7	15	3	16
8	1	14	2



- NOTES
1. ALL DIMENSIONS FOR REFERENCE ONLY
 2. CHASSIS IS BLUE ANODIZED ALUMINUM WITH WHITE LASER ETCHED TEXT AND ARTWORK
 3. DESIGNATION STRIPS SHIPPED UNASSEMBLED
 4. THIS PRODUCT IS RoHS COMPLIANT

PRELIMINARY
CUSTOMER DRAWING

UNLESS OTHERWISE SPECIFIED					THIS DRAWING DESCRIBES A DESIGN CONSIDERED PROPRIETARY IN NATURE, DEVELOPED AND MANUFACTURED BY SWITCHCRAFT INC. AND IS RELEASED ON A CONFIDENTIAL BASIS FOR IDENTIFICATION PURPOSES ONLY.				
1. ALL DIMENSIONS IN INCHES					SIZE *	WIDTH *	MULT *	LBS/M *	TEMPER *
- TWO PLACE DECIMALS ±0.02					FINISH *				MATERIAL *
- THREE PLACE DECIMALS ±0.005					SPEC No. *				SPEC No. *
					FIRST USED ON		SCALE		
					DATE DRAWN		1:4		
					4-28-11	BHM	CHKD *	APVD *	
					NAME TT EZ NORM PATCHBAY				PART No. 9625
					1RU, DB25, PROG. GROUNDS				
REV	ECO NUMBER	DATE	BY	APVD	DO NOT SCALE DRAWING				REV 0A