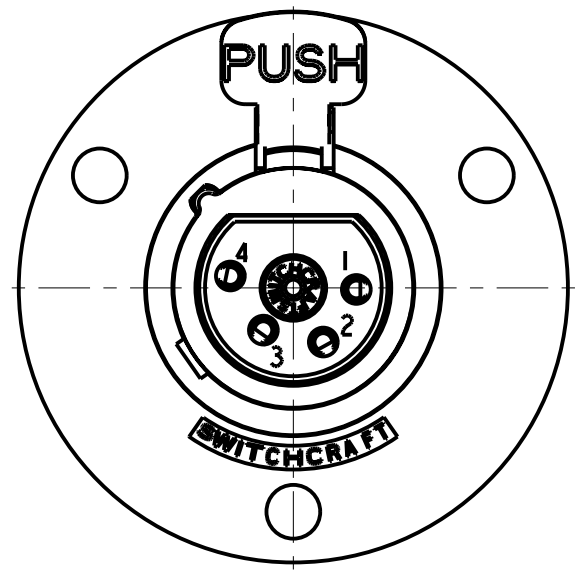
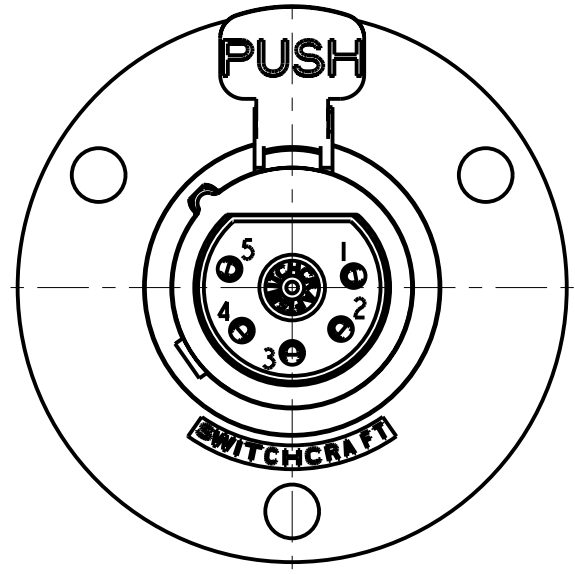


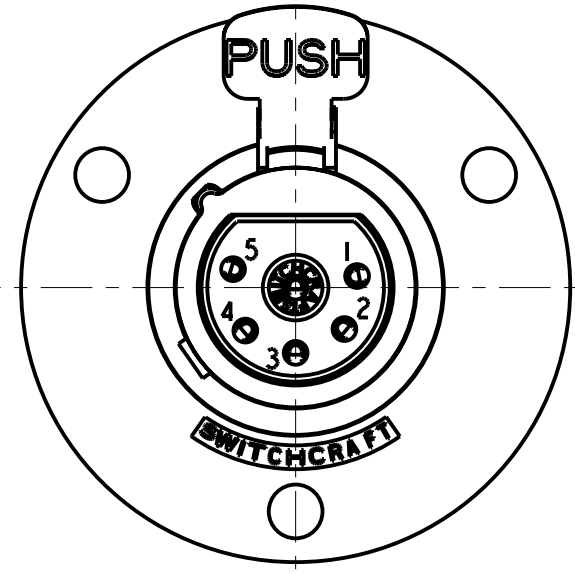
3 PIN



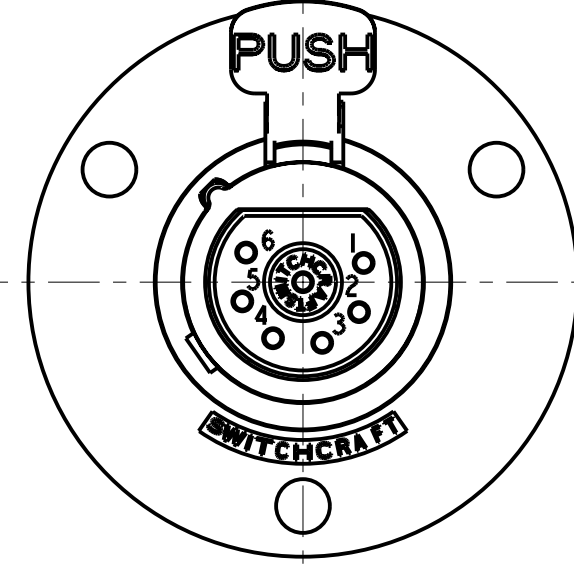
4 PIN



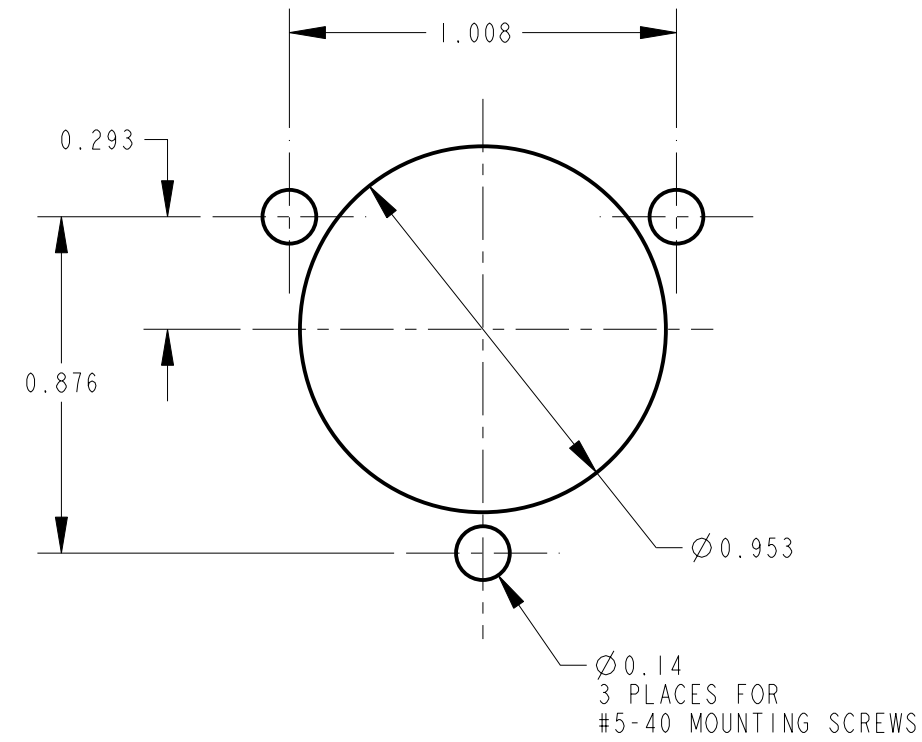
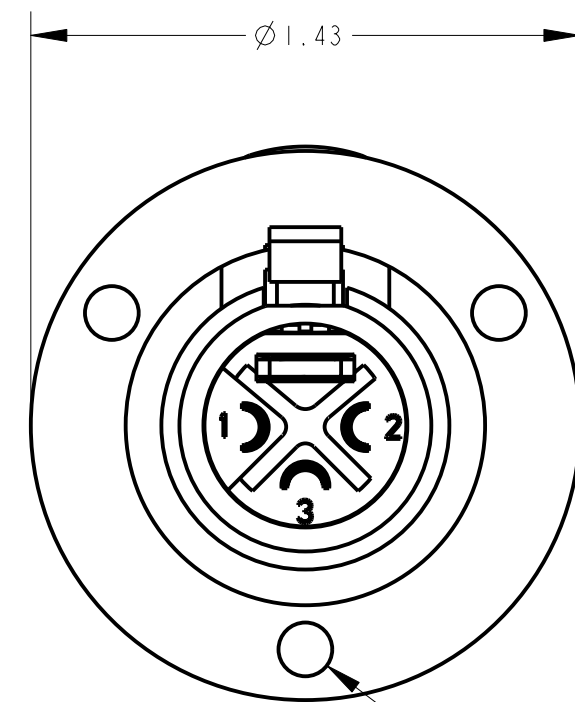
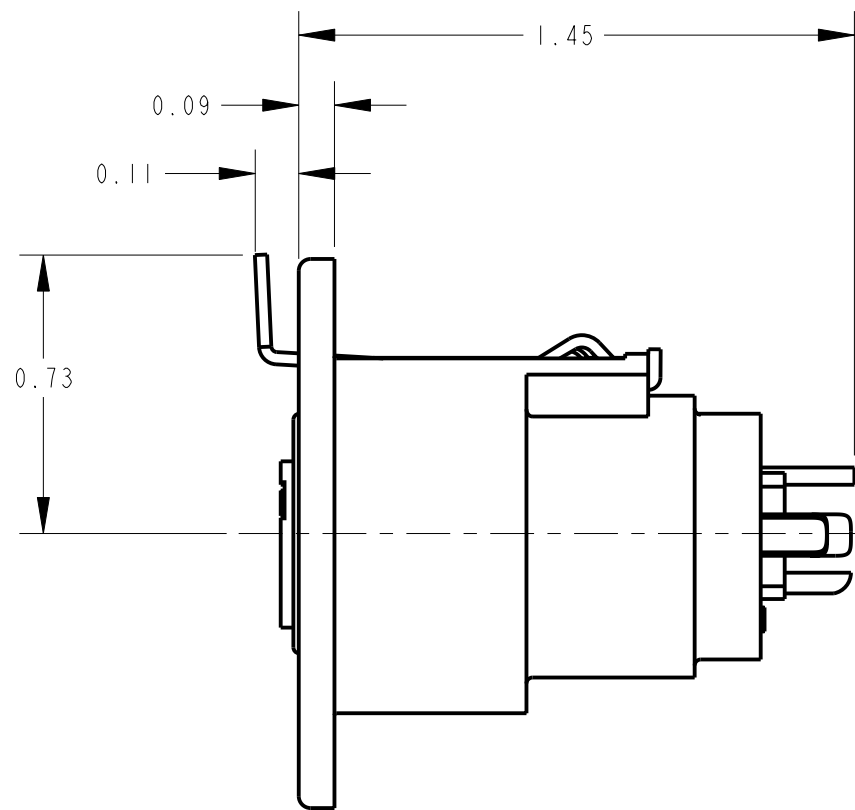
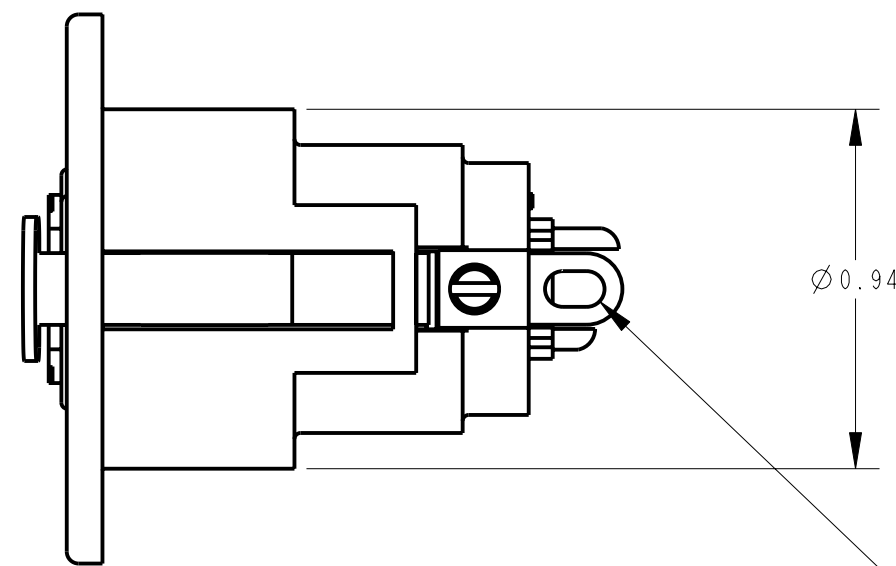
5 PIN



6 PIN



7 PIN



PANEL CUT-OUT

STANDARD SERIES

SCREW - STAINLESS STEEL
 SHELL - STAINLESS STEEL
 LATCH BUTTON - ZINC, NICKEL PLATED (M)
 INSULATOR - POLYESTER, GREEN OR BLACK
 SOLDER TERMINAL - BRASS, ELECTRO TIN
 LATCH SPRING - STAINLESS STEEL
 CONTACT PIN - PHOSPHOR BRONZE, SILVER OR GOLD PLATED
 HOUSING - ZINC, NICKEL OR BLACK PLATED
 RELEASE LEVER - STEEL, NICKEL OR BLACK PLATED

AU = GOLD
 BLANK = SILVER
 CONTACT PLATING
 HOUSING FINISH SEE NOTE 2
 BLANK = TEXTURED (STANDARD)
 S = SANDED
 BX = BLACK RoHS

NO. OF CONTACTS:
 3 = 3 CONTACTS
 4 = 4 CONTACTS
 5 = 5 CONTACTS
 6 = 6 CONTACTS
 7 = 7 CONTACTS

PROFESSIONAL SERIES

HOUSING FINISH - MATTE CHROME
 CONTACT PLATING - GOLD

OGP - 26
 NO. OF CONTACTS:
 3 = 3 CONTACTS

NOTES:

- ALL DIMENSIONS REF. UNLESS OTHERWISE SPECIFIED.
- BLACK HOUSING AND INSERT WITH SATIN NICKEL PLATED LATCH.
- THIS PRODUCT IS RoHS COMPLIANT.

REV	ECO NUMBER	DATE	BY	APVD
M	26158	10-4-06	TO	TJK
L	23566	10-26-00	RJ	DK
K	22895	9-20-99	DA	RB
REVISIONS				

★ STAR SYMBOL DENOTES CRITICAL DIMENSION
 UNLESS OTHERWISE SPECIFIED
 1. ALL DIMENSIONS IN INCHES
 - TWO PLACE DECIMALS ±0.01
 - THREE PLACE DECIMALS ±0.005
 - ANGLES ±1°
 - ALL DIA. CONCENTRIC WITHIN 0.005 T.I.R.
 2. FEATURES ON THE SAME CENTERLINE MUST BE ALIGNED WITHIN ±0.002
 3. REMOVE ALL BURRS
 DO NOT SCALE DRAWING

THIS DRAWING DESCRIBES A DESIGN CONSIDERED PROPRIETARY IN NATURE, DEVELOPED AND MANUFACTURED BY SWITCHCRAFT INC. AND IS RELEASED ON A CONFIDENTIAL BASIS FOR IDENTIFICATION PURPOSES ONLY.				
SIZE	WIDTH	MULT	LBS/M	TEMPER
FINISH SPEC No.		MATERIAL SPEC No.		
FIRST USED ON		SCALE 2:1		
DATE DRAWN	BY	CHKD	APVD	
12-11-93	SG	AA	GHJ	
		7-12-94	7-12-94	
NAME				REV
C SERIES FEMALE OG, RoHS				M

CUSTOMER DRAWING

Switchcraft®

SHEET 1 OF 1
 PART No. C_F SERIES