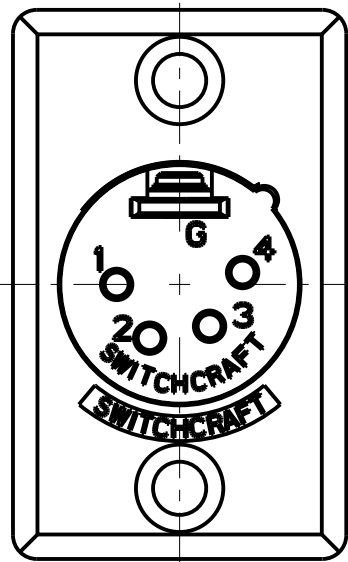
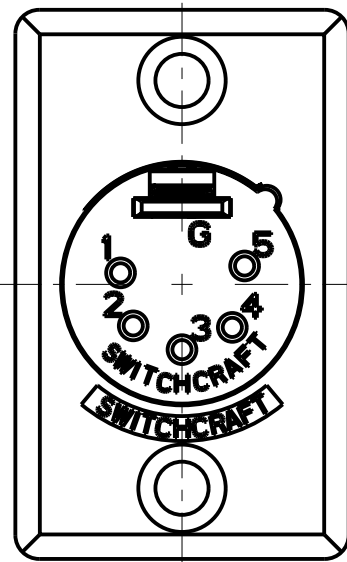


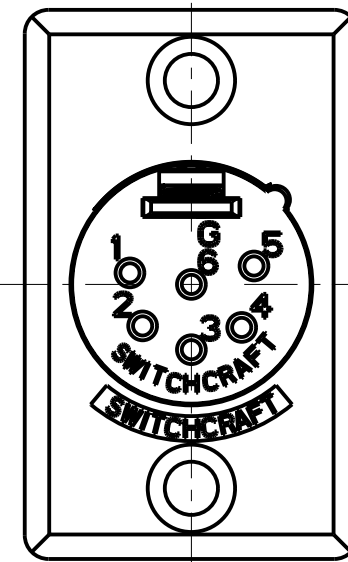
3 PIN



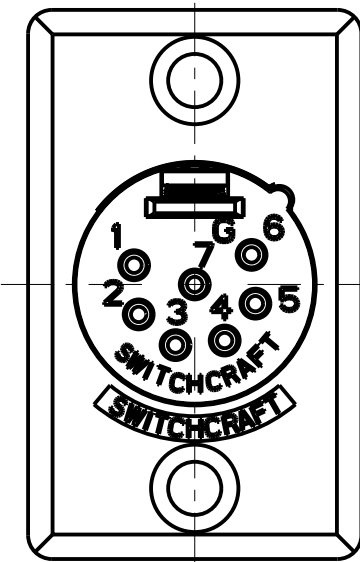
4 PIN



5 PIN



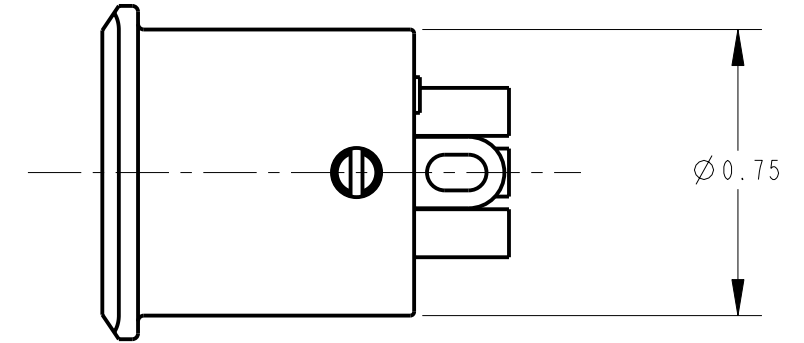
6 PIN



7 PIN

NOTES:

1. ALL DIMENSIONS REF. UNLESS OTHERWISE SPECIFIED.
2. THESE PRODUCTS ARE RoHS COMPLIANT.



STANDARD SERIES

SCREW - STAINLESS STEEL
 HOUSING - ZINC, NICKEL PLATED
 SOLDER TERMINAL - BRASS, ELECTRO TIN PLATED
 INSULATOR - POLYESTER, GREEN (UL94V-0)
 CONTACT PIN - BRASS, SILVER PLATED

CONTACT PLATING
 BLANK = SILVER (STANDARD)
 AU = GOLD

HOUSING FINISH
 BLANK = NICKEL PLATE (STANDARD)
 B = BLACK
 S = SANDED

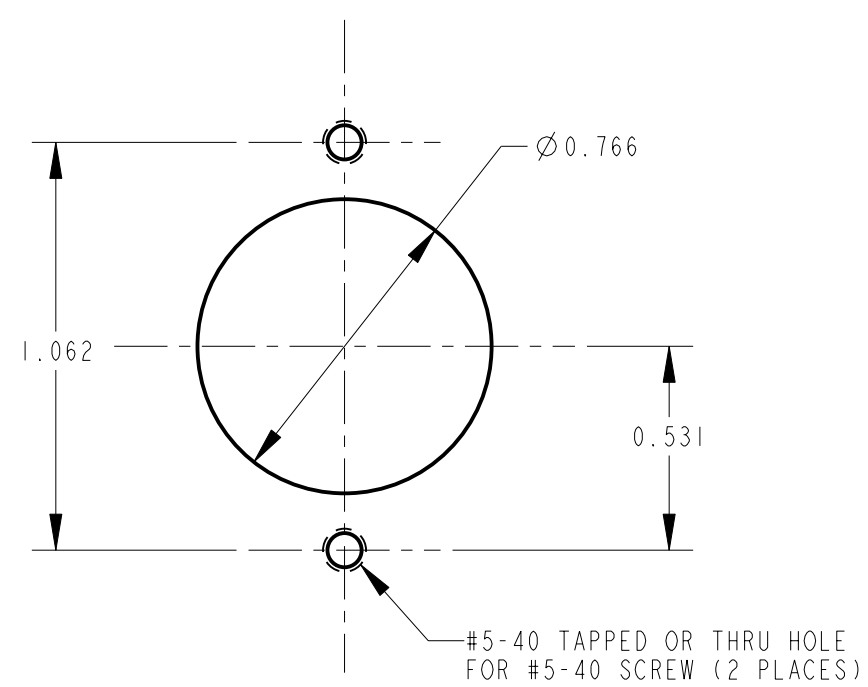
NO. OF CONTACTS:
 3 = 3 CONTACTS
 4 = 4 CONTACTS
 5 = 5 CONTACTS
 6 = 6 CONTACTS
 7 = 7 CONTACTS

PROFESSIONAL SERIES

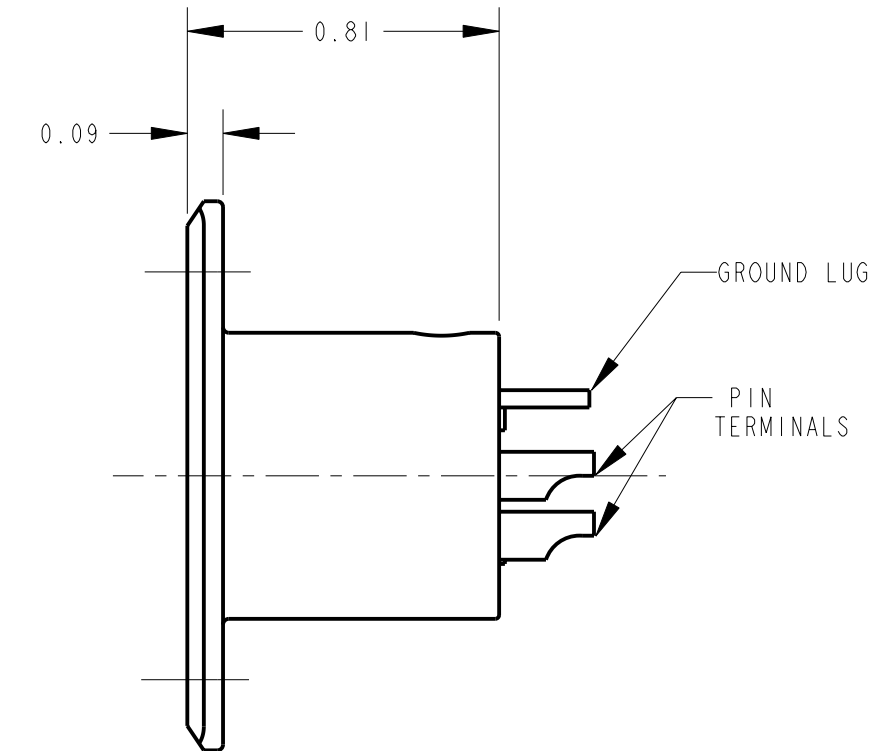
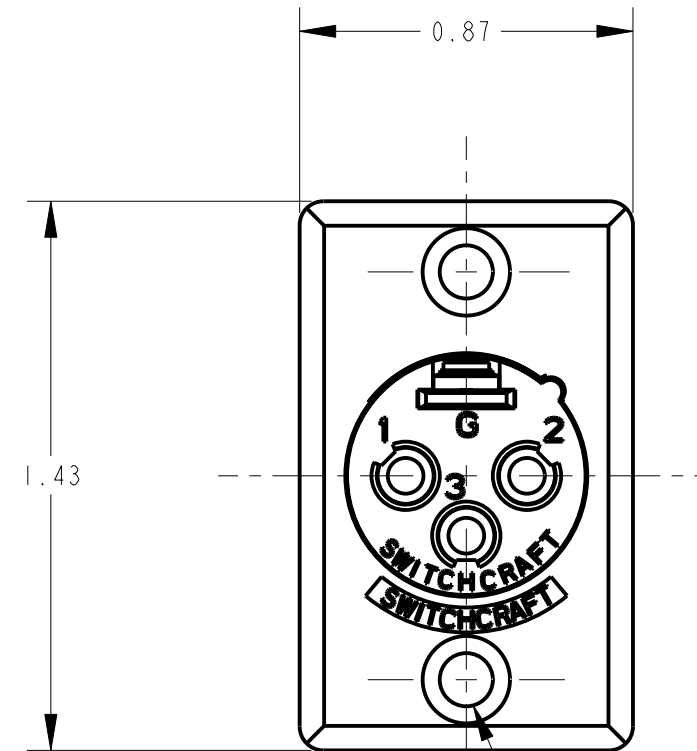
SAME AS ABOVE EXCEPT
 CONTACT PIN - PHOSPHOR BRONZE, GOLD OVER NICKEL

QGP - 63

NO. OF CONTACTS:
 3 = 3 CONTACTS
 4 = 4 CONTACTS
 5 = 5 CONTACTS
 6 = 6 CONTACTS
 7 = 7 CONTACTS



RECOMMENDED PANEL CUT-OUT



CUSTOMER DRAWING

				★ STAR SYMBOL DENOTES CRITICAL DIMENSION		THIS DRAWING DESCRIBES A DESIGN CONSIDERED PROPRIETARY IN NATURE, DEVELOPED AND MANUFACTURED BY SWITCHCRAFT INC. AND IS RELEASED ON A CONFIDENTIAL BASIS FOR IDENTIFICATION PURPOSES ONLY.				
				UNLESS OTHERWISE SPECIFIED		SIZE	WIDTH	MULT	LBS/M	TEMPER
				1. ALL DIMENSIONS IN INCHES - TWO PLACE DECIMALS ±0.01 - THREE PLACE DECIMALS ±0.005 - ANGLES ±1° - ALL DIA. CONCENTRIC WITHIN 0.005 T.I.R.		FINISH		MATERIAL		
				2. FEATURES ON THE SAME CENTERLINE MUST BE ALIGNED WITHIN ±0.002		SPEC No.		SPEC No.		
				3. REMOVE ALL BURRS		FIRST USED ON		SCALE		
				DO NOT SCALE DRAWING		DATE DRAWN	BY	CHKD	APVD	Switchcraft
						00-000-90	SG	8-15-94	8-15-94	
REV	ECO NUMBER	DATE	BY	APVD	NAME		PART No.		REV	
REVISIONS					D SERIES MALE QG		D_M SERIES		L	