

**STANDARD SERIES**

SCREW - STAINLESS STEEL  
 SHELL - STAINLESS STEEL  
 LATCH BUTTON - ZINC, NICKEL PLATED  
 INSULATOR - POLYESTER, GREEN  
 SOLDER TERMINAL - BRASS, ELECTRO TIN  
 LATCH SPRING - STAINLESS STEEL  
 CONTACT PIN - PHOSPHOR BRONZE, SILVER PLATED  
 HOUSING - ZINC  
 RELEASE LEVER - STEEL, NICKEL PLATED

CONTACT PLATING:  
 BLANK = SILVER (STANDARD)  
 AU = GOLD

HOUSING FINISH:  
 BLANK = TEXTURED (STANDARD)  
 S = SANDED

HOUSING PLATING: SEE NOTE 2  
 BLANK = NICKEL PLATE (STANDARD)  
 BX = BLACK RoHS

LATCH TYPE:  
 BLANK = STANDARD LATCHLOCK  
 D = FAS-DIS-CONNECT DETENT (SEE FIGURE 1)  
 (NO LATCH)

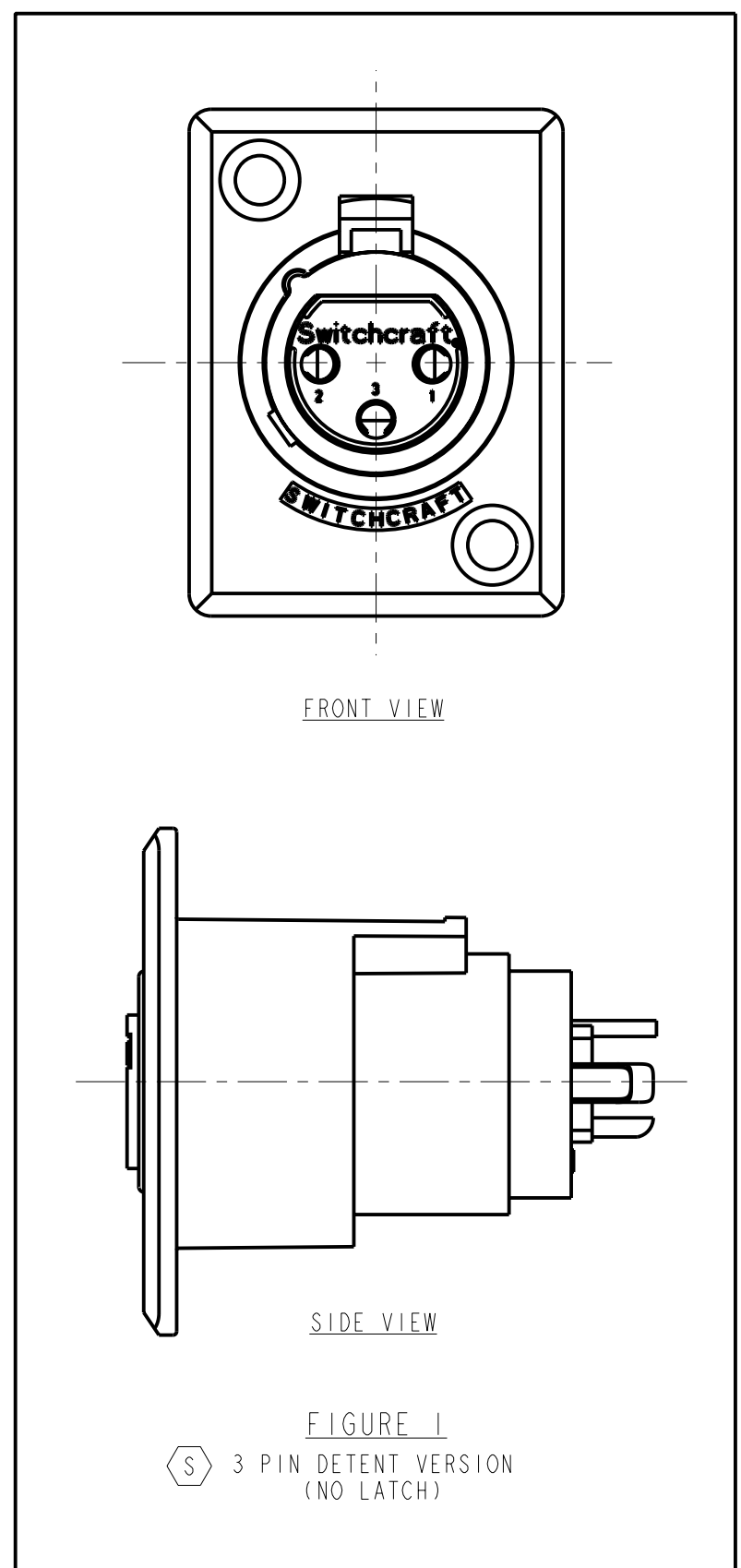
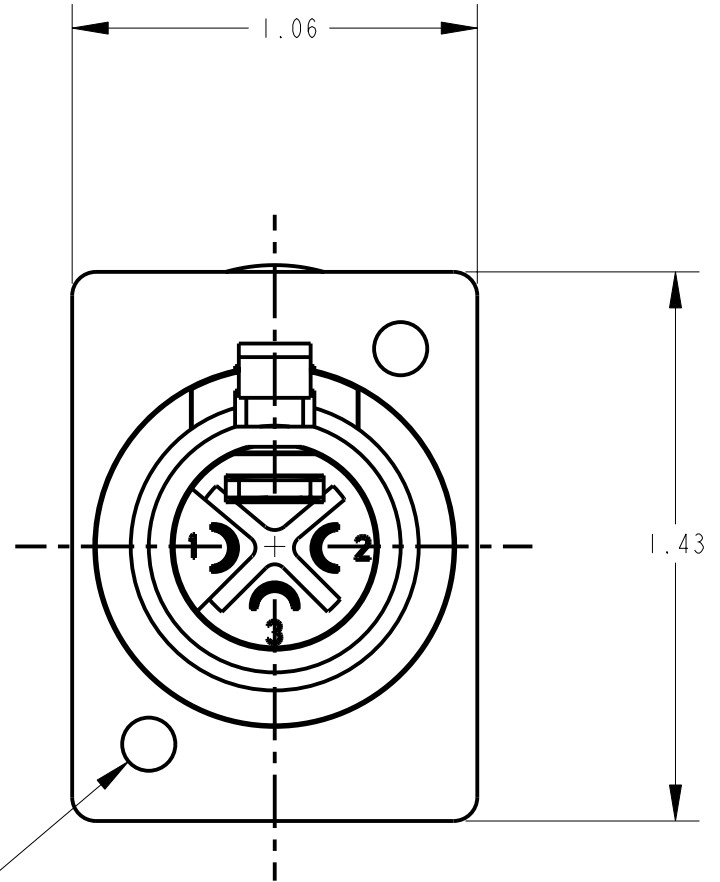
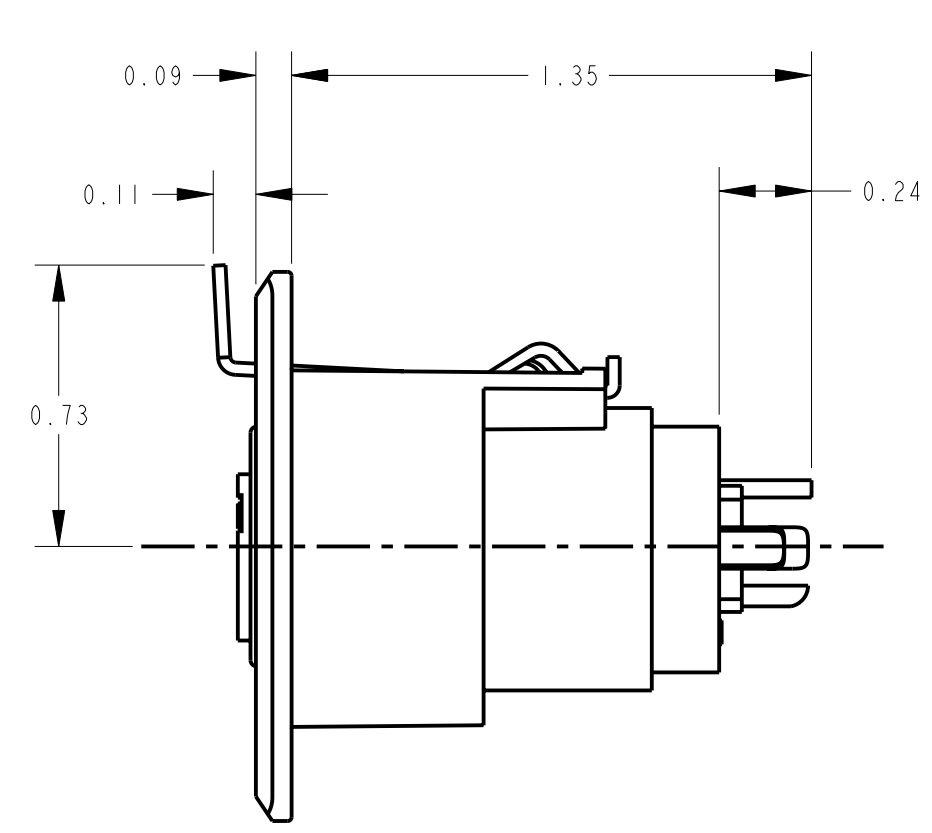
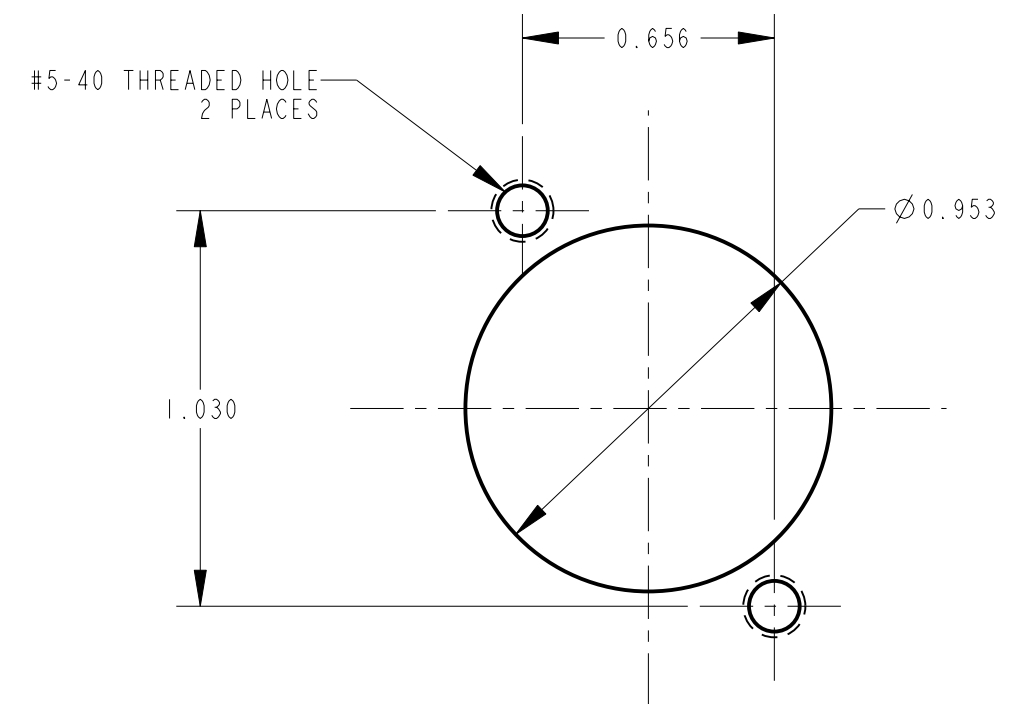
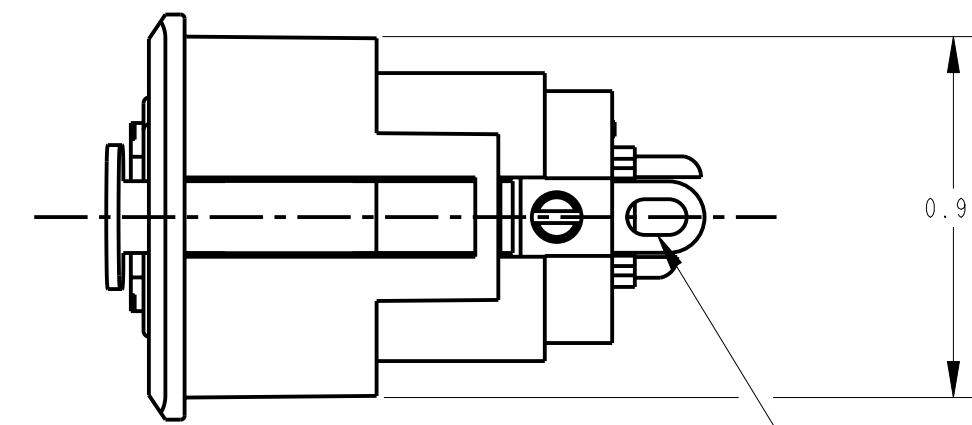
NO. OF CONTACTS:  
 3 = 3 CONTACTS  
 4 = 4 CONTACTS  
 5 = 5 CONTACTS  
 6 = 6 CONTACTS  
 7 = 7 CONTACTS

**PROFESSIONAL SERIES**

HOUSING FINISH - MATTE CHROME  
 CONTACT PLATING - GOLD

OGP 62

NO. OF CONTACTS:  
 3 = 3 CONTACTS



- NOTES:
- ALL DIMENSIONS REF. UNLESS OTHERWISE SPECIFIED.
  - BLACK HOUSING AND INSERT WITH SATIN NICKEL PLATED LATCH.
  - THIS PRODUCT IS RoHS COMPLIANT.

REV	ECO NUMBER	DATE	BY	APVD
S	26158	10-4-06	TO	TJK
R	ECO #22895	9-20-99	TJK	TJK

REVISIONS

★ STAR SYMBOL DENOTES CRITICAL DIMENSION

UNLESS OTHERWISE SPECIFIED

- ALL DIMENSIONS IN INCHES  
 - TWO PLACE DECIMALS ±0.01  
 - THREE PLACE DECIMALS ±0.005  
 - FRACTIONAL DIMENSIONS ±1/64  
 - ANGLES ±1°  
 - ALL DIA. CONCENTRIC WITHIN 0.005 T.I.R.
- FEATURES ON THE SAME CENTERLINE MUST BE ALIGNED WITHIN ±0.002
- REMOVE ALL BURRS

DO NOT SCALE DRAWING

THIS DRAWING DESCRIBES A DESIGN CONSIDERED PROPRIETARY IN NATURE, DEVELOPED AND MANUFACTURED BY SWITCHCRAFT INC. AND IS RELEASED ON A CONFIDENTIAL BASIS FOR IDENTIFICATION PURPOSES ONLY.				
SIZE	WIDTH	MULT	LBS/M	TEMPER
FINISH		SCALE		MATERIAL
SPEC No.		2:1		SPEC No.
FIRST USED ON		DATE DRAWN		BY
7-Feb-94		7-Feb-94		SG
CHKD		APVD		
AA		GHJ		
7-11-94		7-11-94		
NAME				REV
D SERIES FEMALE OG, RoHS				S

CUSTOMER DRAWING

**Switchcraft**

SHEET 1 OF 1

D\_F SERIES