



STANDARD SERIES

- SCREW - STAINLESS STEEL
- SHELL - STAINLESS STEEL
- LATCH BUTTON - ZINC, NICKEL PLATED
- INSULATOR - POLYESTER, GREEN
- SOLDER TERMINAL - BRASS, ELECTRO TIN
- LATCH SPRING - STAINLESS STEEL
- CONTACT PIN - PHOSPHOR BRONZE, SILVER PLATED
- HOUSING - ZINC
- RELEASE LEVER - STEEL, NICKEL PLATED

- CONTACT PLATING:
BLANK = SILVER (STANDARD)
AU = GOLD
- HOUSING FINISH:
BLANK = TEXTURED (STANDARD)
S = SANDED
- HOUSING PLATING: SEE NOTE 2
BLANK = NICKEL PLATE (STANDARD)
BX = BLACK RoHS

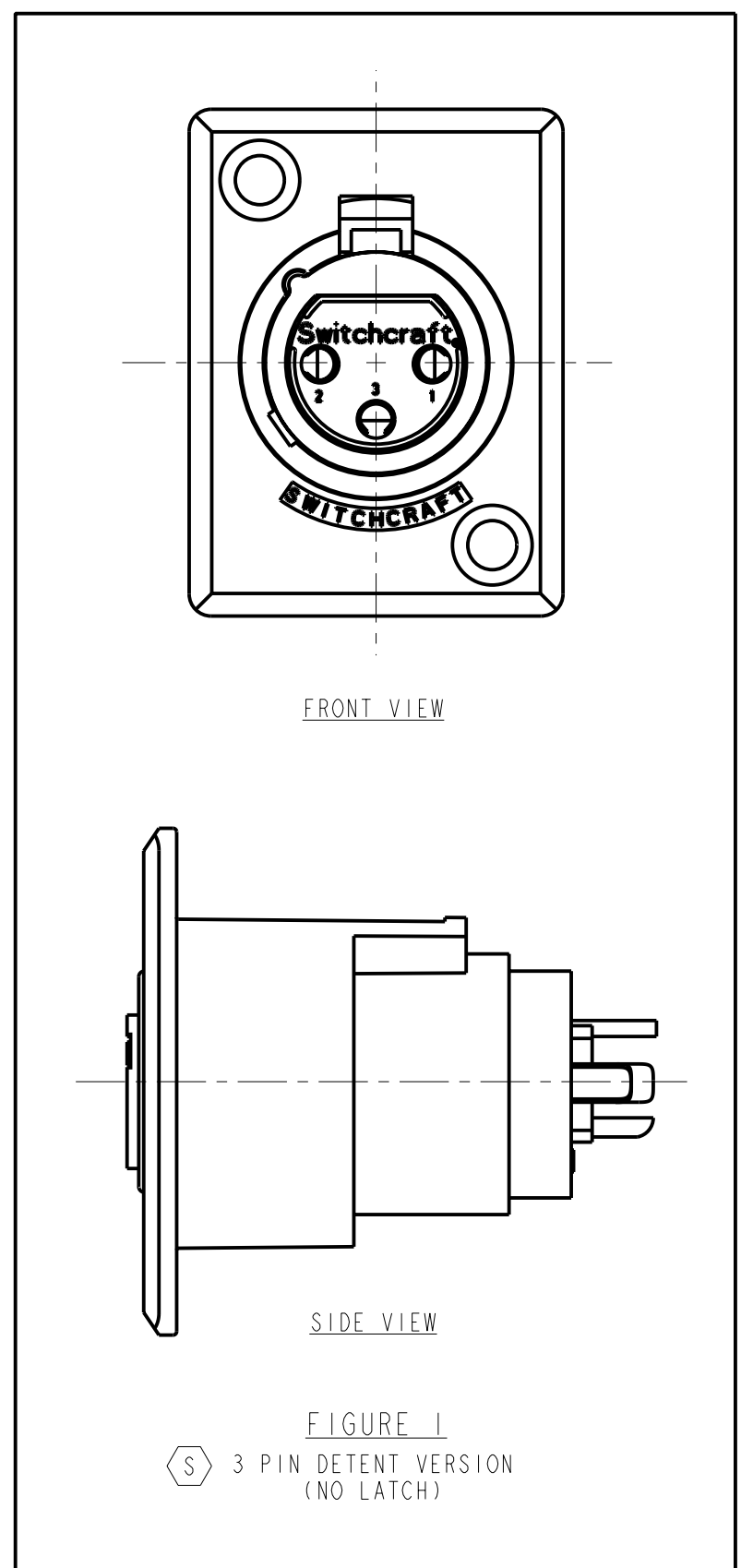
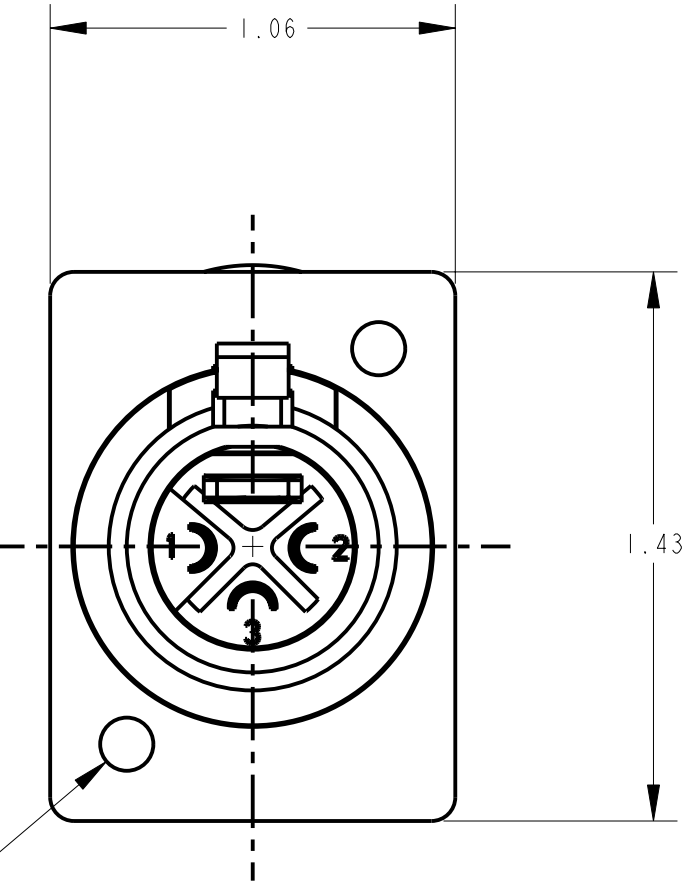
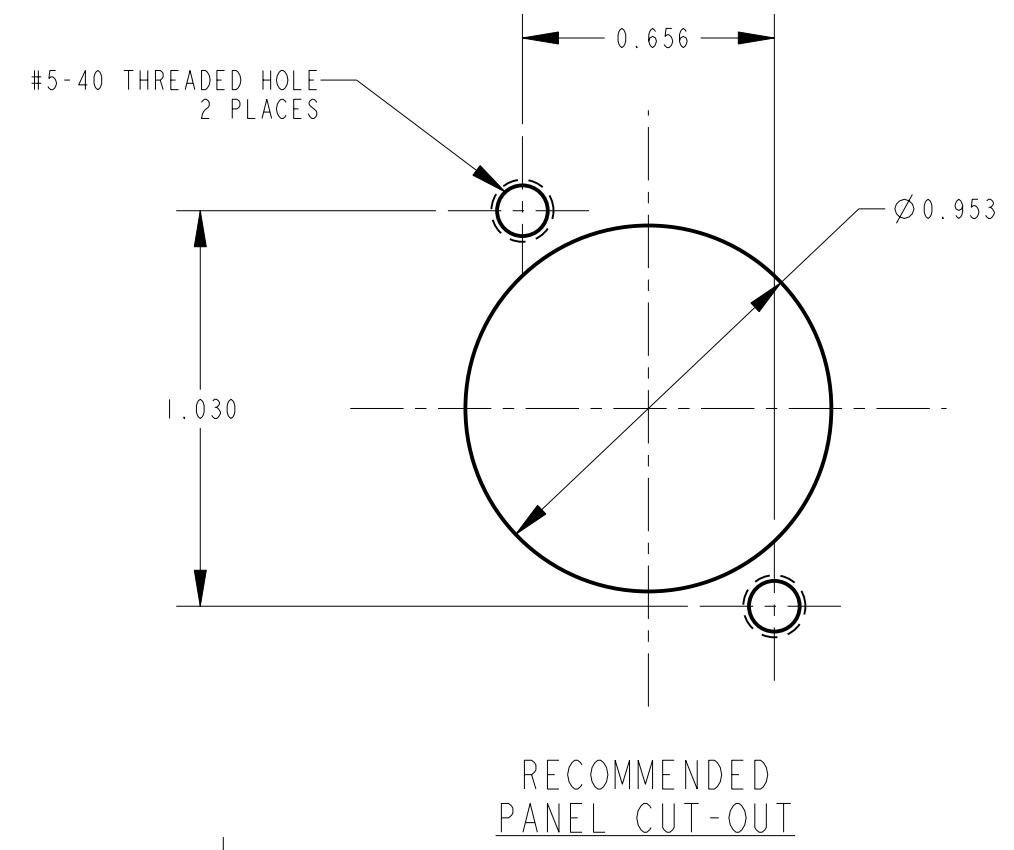
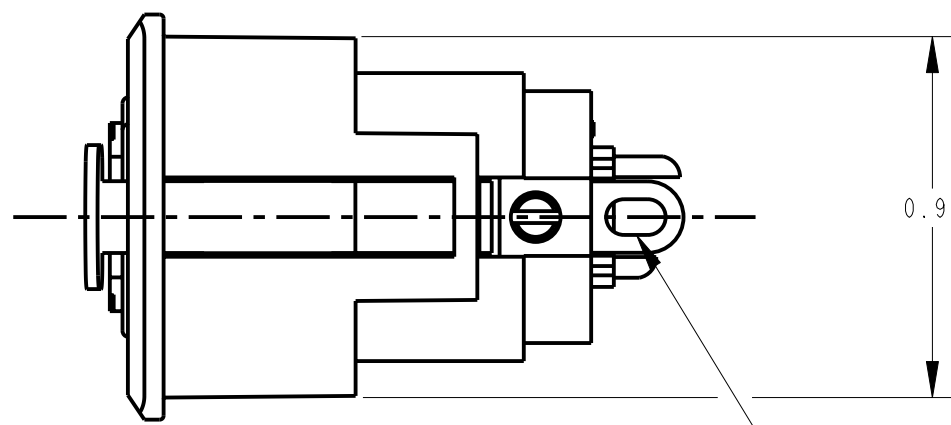
- LATCH TYPE:
BLANK = STANDARD LATCHLOCK
D = FAS-DIS-CONNECT DETENT (SEE FIGURE 1)
(NO LATCH)

- NO. OF CONTACTS:
3 = 3 CONTACTS
4 = 4 CONTACTS
5 = 5 CONTACTS
6 = 6 CONTACTS
7 = 7 CONTACTS

PROFESSIONAL SERIES

- HOUSING FINISH - MATTE CHROME
- CONTACT PLATING - GOLD

- OGP 62
- NO. OF CONTACTS:
3 = 3 CONTACTS



- NOTES:**
1. ALL DIMENSIONS REF. UNLESS OTHERWISE SPECIFIED.
 2. BLACK HOUSING AND INSERT WITH SATIN NICKEL PLATED LATCH.
 3. THIS PRODUCT IS RoHS COMPLIANT.

REV	ECO NUMBER	DATE	BY	APVD
S	26158	10-4-06	TO	TJK
R	ECO #22895	9-20-99	TJK	TJK

REVISIONS

★ STAR SYMBOL DENOTES CRITICAL DIMENSION

~~UNLESS OTHERWISE SPECIFIED~~

1. ALL DIMENSIONS IN INCHES
- TWO PLACE DECIMALS ±0.01
- THREE PLACE DECIMALS ±0.005
- FRACTIONAL DIMENSIONS ±1/64
- ANGLES ±1°
- ALL DIA. CONCENTRIC WITHIN 0.005 T.I.R.
2. FEATURES ON THE SAME CENTERLINE MUST BE ALIGNED WITHIN ±0.002
3. REMOVE ALL BURRS

DO NOT SCALE DRAWING

THIS DRAWING DESCRIBES A DESIGN CONSIDERED PROPRIETARY IN NATURE, DEVELOPED AND MANUFACTURED BY SWITCHCRAFT INC. AND IS RELEASED ON A CONFIDENTIAL BASIS FOR IDENTIFICATION PURPOSES ONLY.				
SIZE	WIDTH	MULT	LBS/M	TEMPER
FINISH		MATERIAL		
SPEC No.		SPEC No.		
FIRST USED ON		SCALE		
DATE DRAWN		BY	CHKD	APVD
7-Feb-94		SG	AA	GHJ
			7-11-94	7-11-94
NAME				PART No.
D SERIES FEMALE OG, RoHS				D_F SERIES
				REV
				S

CUSTOMER DRAWING

Switchcraft