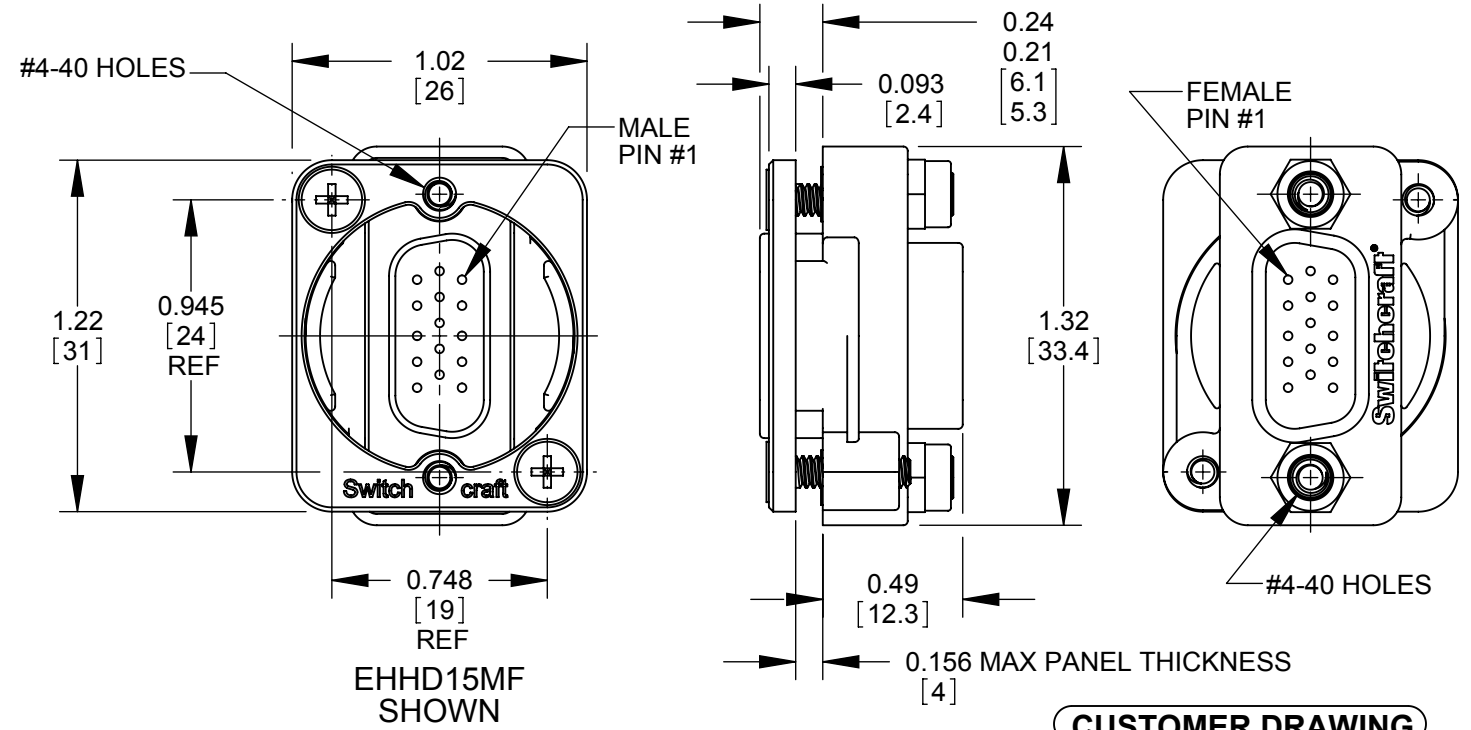
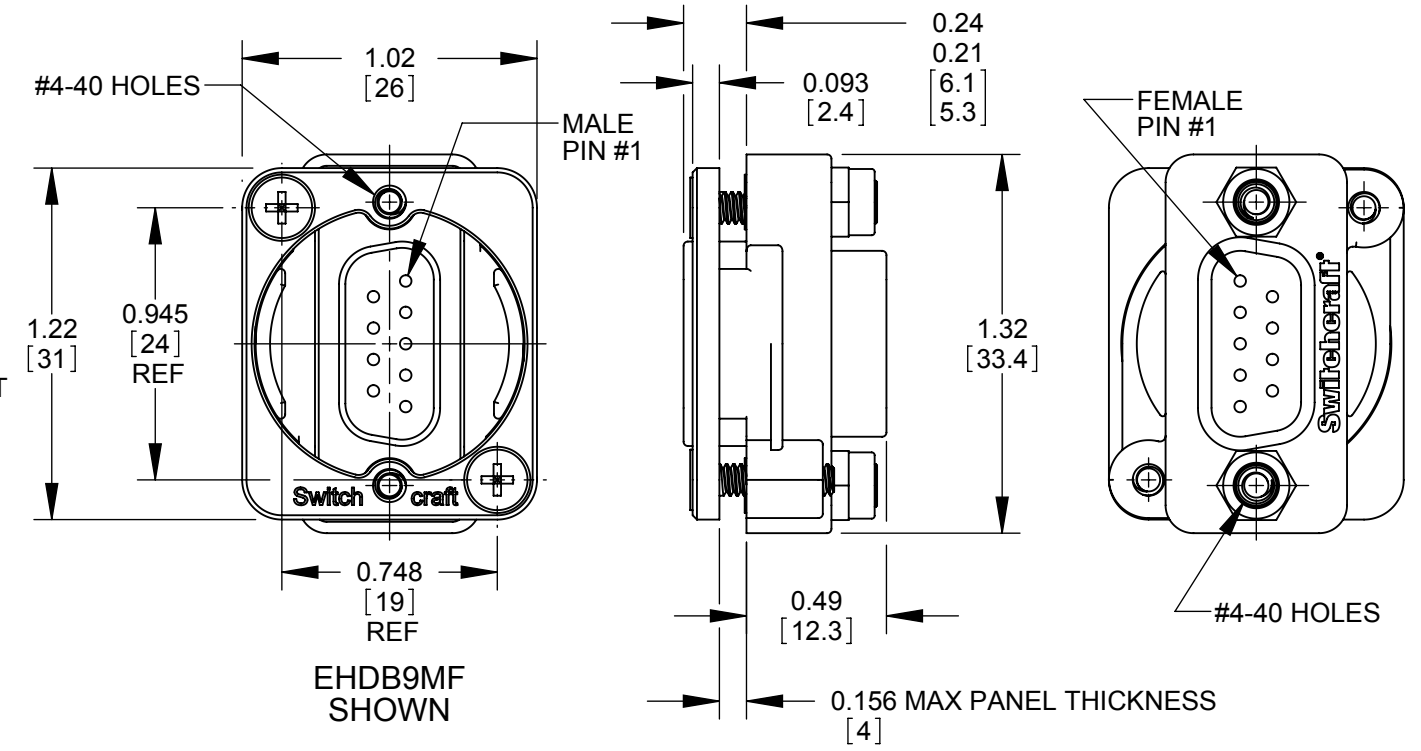


**EH** \* \* \*

FINISH, FLANGE AND MOUNTING SCREW  
**BLANK** - NICKEL  
**B** - BLACK

GENDER  
**MM** - MALE TO MALE  
**MF** - MALE TO FEMALE  
**FF** - FEMALE TO FEMALE

TYPE OF ADAPTER  
**DB9** - 9 PIN D-SUB  
**HD15** - 15 PIN HIGH DENSITY D-SUB



**CUSTOMER DRAWING**

- NOTES:
- MATERIALS:  
 MOUNTING SCREWS - STEEL, NICKEL OR BLACK OXIDE FINISH.  
 FRONT FLANGE - BRASS, NICKEL OR BLACK CHROME FINISH.  
 D SUB ADAPTER:  
 INSULATOR - PBT GLASS FIBER REINFORCED  
 CONTACT - BRASS, GOLD PLATED OVER NICKEL  
 SHELL - NICKEL SILVER, TIN PLATED  
 HOUSING - PBT, 30% GLASS FIBER  
 JACKPOST - BRASS, NICKEL PLATED
  - PARTS SHIPPED UNASSEMBLED.
  - D-SUB CONNECTOR MAY BE ORIENTATED OPPOSITE AS SHOWN AND MALE-FEMALE MAY BE ASSEMBLED WITH THE FEMALE IN FRONT.
  - THESE PRODUCTS ARE RoHS COMPLIANT.

REV	ECO NUMBER	DATE	BY	APVD
D	26941	4-12-12	TO	TJK
C	26494	1/22/10	RS	TJK
B	26415	7/17/09	RS	TJK
A	ECO 25822	7/23/08	BS	TJK
REVISIONS				

UNLESS OTHERWISE SPECIFIED

1. ALL DIMENSIONS IN INCHES  
 - TWO PLACE DECIMALS ±0.02  
 - THREE PLACE DECIMALS ±0.005

DO NOT SCALE DRAWING

THIS DRAWING DESCRIBES A DESIGN CONSIDERED PROPRIETARY IN NATURE, DEVELOPED AND MANUFACTURED BY SWITCHCRAFT INC. AND IS RELEASED ON A CONFIDENTIAL BASIS FOR IDENTIFICATION PURPOSES ONLY.									
SIZE	WIDTH	MULT	LBS/M	TEMPER					
FINISH SPEC No.					MATERIAL SPEC No.				
FIRST USED ON					SCALE 1.5:1				
DATE DRAWN	BY	CHKD	APVD	Switchcraft®					
9/28/06	JK	JK	JK	SHEET 1 OF 1					
NAME				E SERIES D-SUB CONNECTOR, RoHS			PART No.		REV
				EHDB9 & EHHD15 SERIES			D		