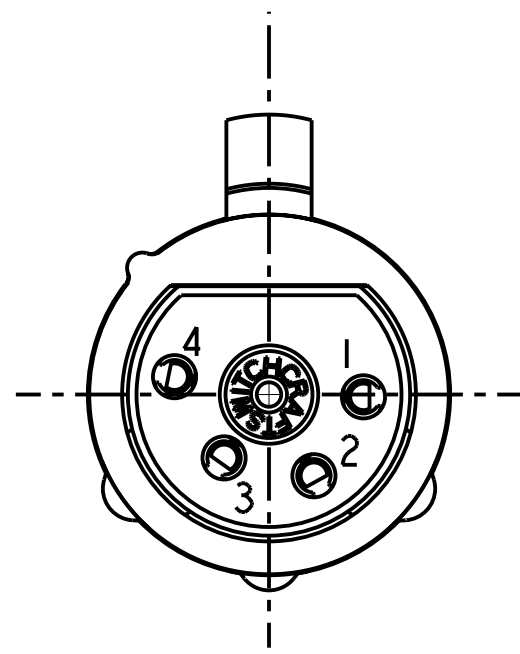
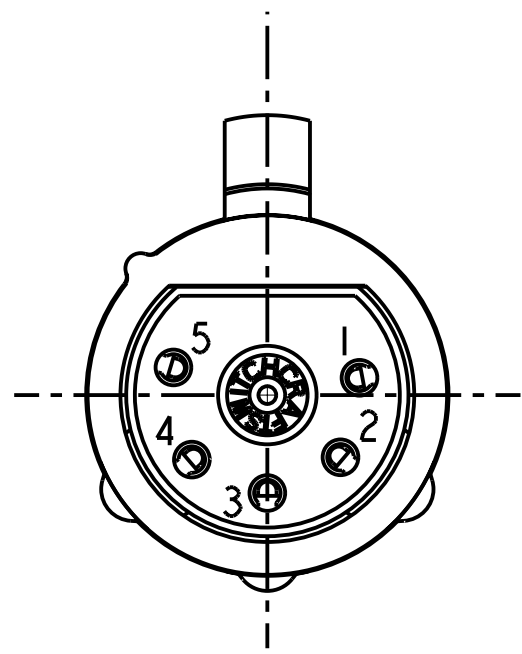


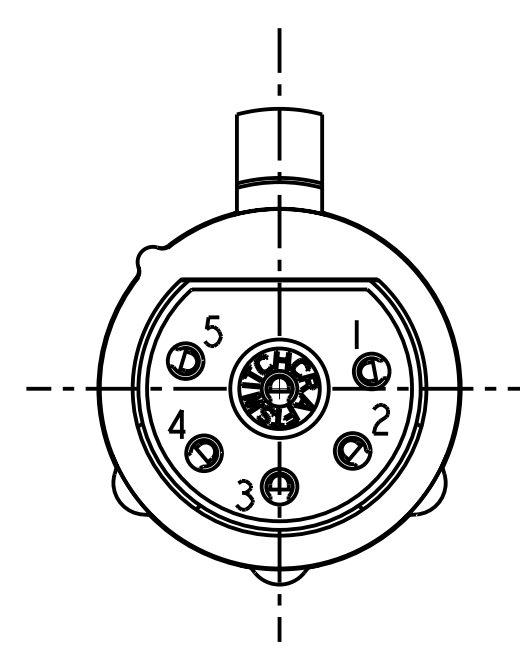
3 PIN



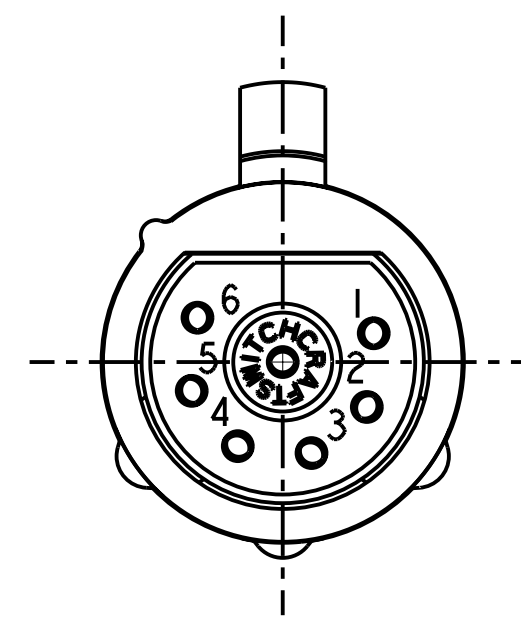
4 PIN



5 PIN



6 PIN



7 PIN

STANDARD SERIES

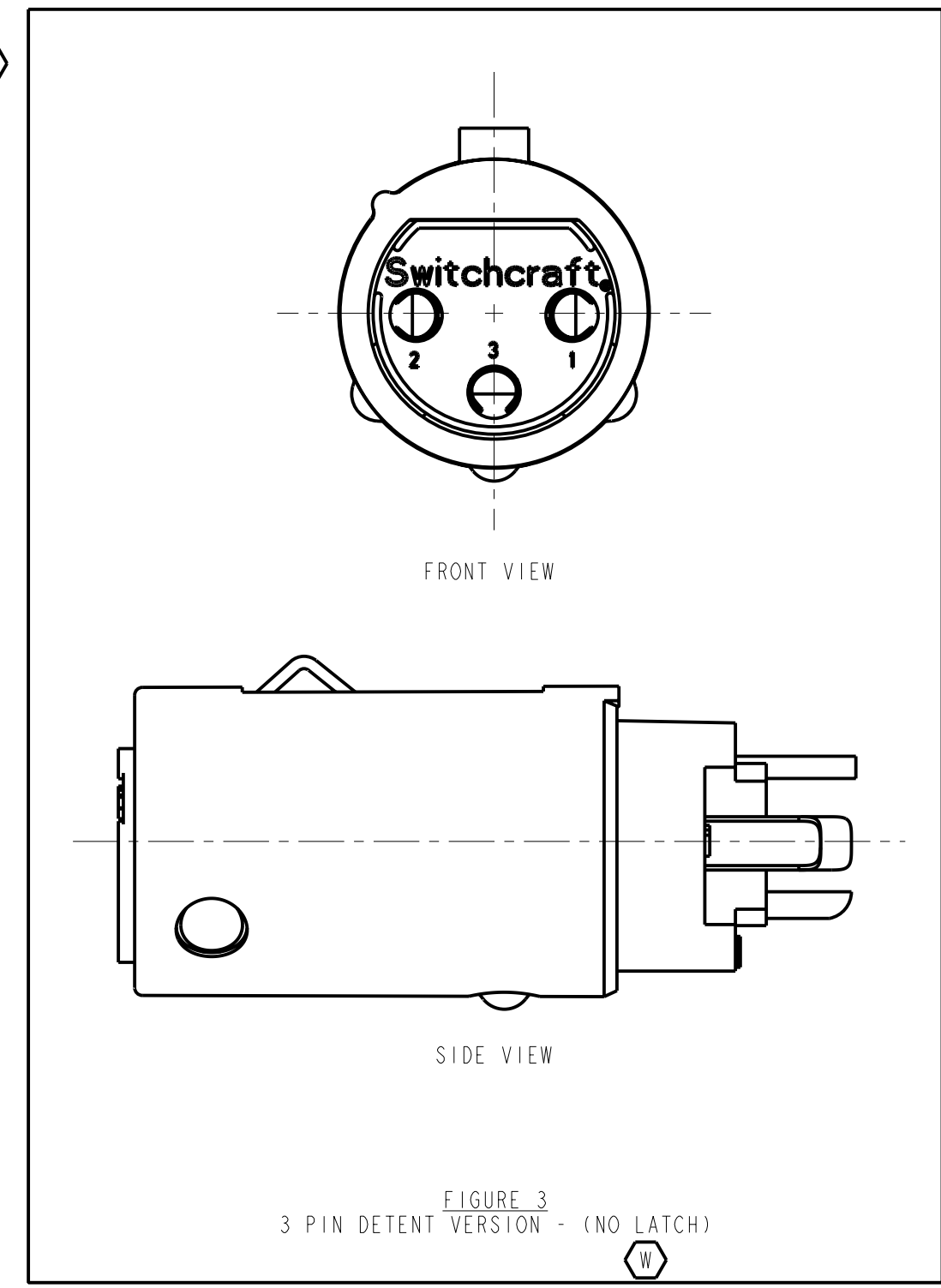
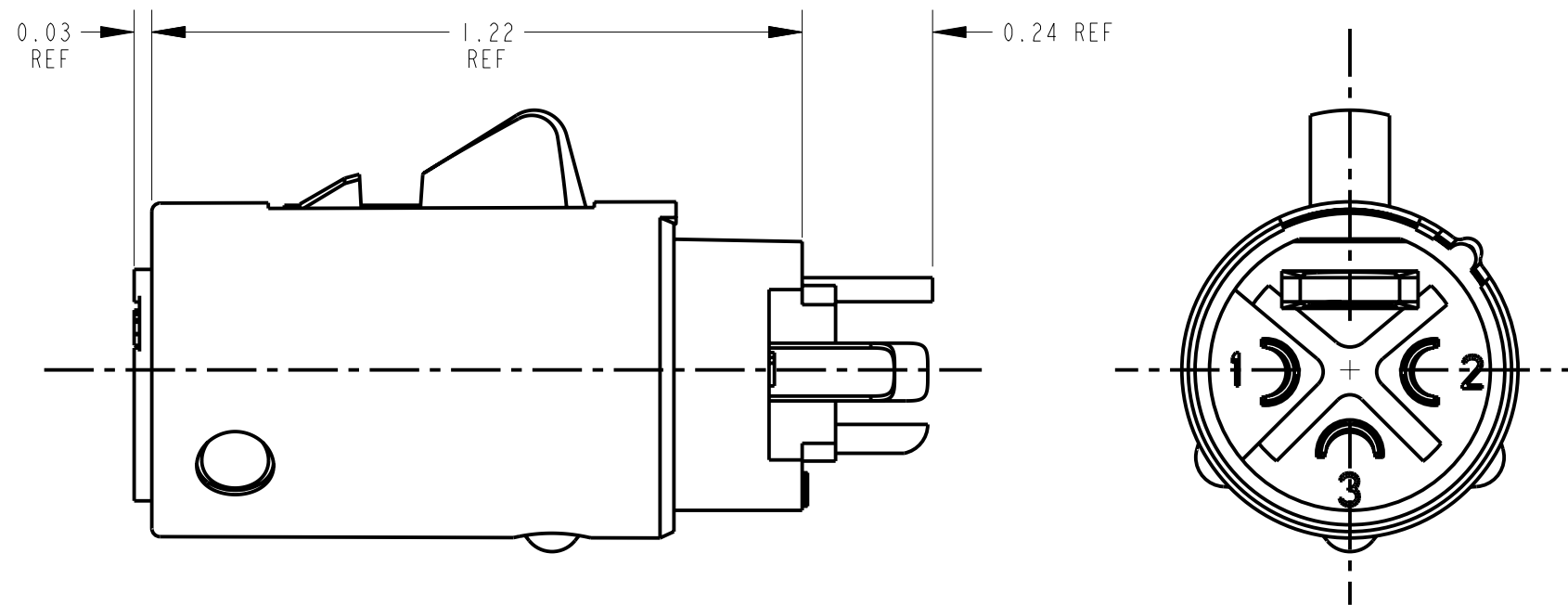
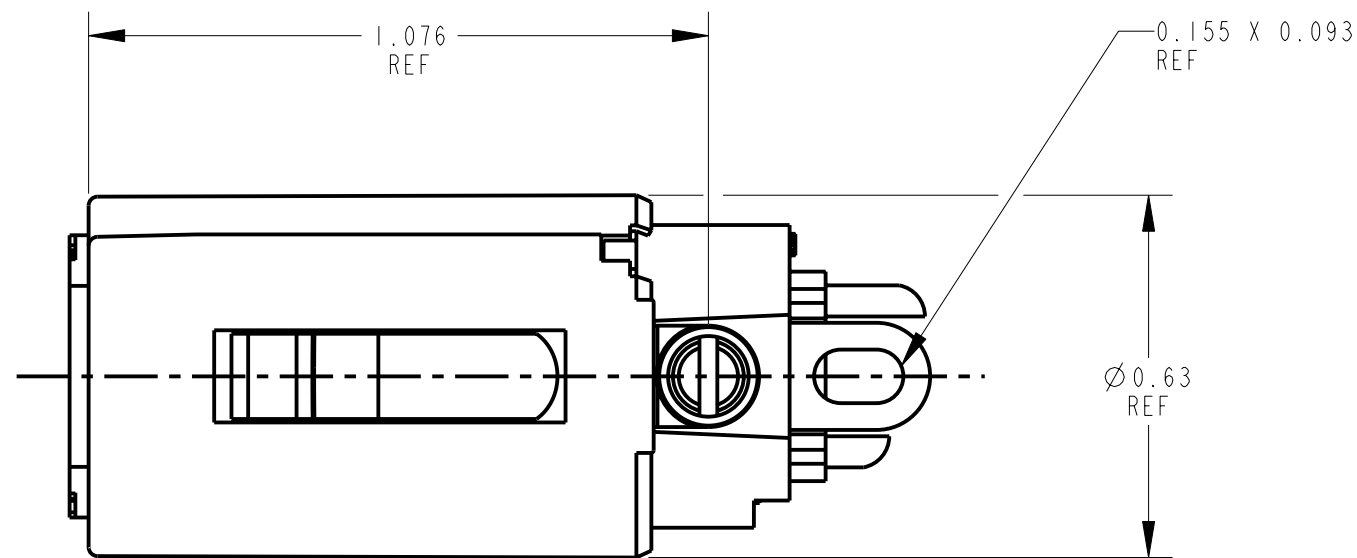
SCREW - STAINLESS STEEL
 SHELL - STAINLESS STEEL
 LATCH BUTTON - ZINC, NICKEL PLATED
 INSULATOR - POLYESTER, GREEN OR BLACK
 SOLDER TERMINAL - BRASS, ELECTRO TIN
 LATCH SPRING - STAINLESS STEEL
 CONTACTOR - BERYLLIUM COPPER, NICKEL PLATED
 CONTACT PIN - PHOSPHOR BRONZE, SILVER PLATED

- OG F
- TERMINAL TYPE
 BLANK = SOLDER LUGS (STANDARD)
 PC = PC TERMINAL
 - CONTACT PLATING
 BLANK = SILVER (STANDARD)
 AU = GOLD
 - INSULATOR COLOR
 BLANK = GREEN (STANDARD)
 BX = BLACK, RoHS (SEE NOTE 1)
 - LATCH TYPE
 BLANK = STANDARD LATCHLOCK
 D = FAS-DIS-CONNECT DETENT (SEE FIG. 3)
 - NO. OF CONTACTS:
 3 = 3 CONTACTS
 4 = 4 CONTACTS
 5 = 5 CONTACTS
 6 = 6 CONTACTS
 7 = 7 CONTACTS

PROFESSIONAL SERIES

SAME AS ABOVE EXCEPT
 CONTACT PIN - PHOSPHOR BRONZE, GOLD OVER NICKEL

- OG F
- NO. OF CONTACTS:
 3 = 3 CONTACTS
 4 = 4 CONTACTS
 5 = 5 CONTACTS
 6 = 6 CONTACTS
 7 = 7 CONTACTS



- NOTES:
- 1. "BX" SERIES IS A BLACK INSERT WITH A NICKEL PLATED LATCH. REAR INSULATOR IS GREEN.
 - 2. THESE PRODUCTS ARE RoHS COMPLIANT.

| REV | ECO NUMBER | DATE | BY | APVD |
|-----|------------|----------|-----|------|
| X | 26847 | 9/29/11 | TJK | TJK |
| W | 26158 | 3-28-07 | TJK | TJK |
| V | 25060 | 3-28-07 | TJK | TJK |
| U | 24975 | 4-25-05 | JL | GG |
| T | 24218 | 4-25-05 | JL | JF |
| S | ECO #22610 | 11-20-98 | DA | EB |

★ STAR SYMBOL DENOTES CRITICAL DIMENSION

UNLESS OTHERWISE SPECIFIED

1. ALL DIMENSIONS IN INCHES
 - TWO PLACE DECIMALS ±0.01
 - THREE PLACE DECIMALS ±0.005
 - ANGLES ±1°
 - ALL DIA. CONCENTRIC WITHIN 0.005 T.I.R.

2. FEATURES ON THE SAME CENTERLINE MUST BE ALIGNED WITHIN ±0.002

3. REMOVE ALL BURRS

DO NOT SCALE DRAWING

| | | | | |
|--|-------|-------------------|-------------|--------------------|
| THIS DRAWING DESCRIBES A DESIGN CONSIDERED PROPRIETARY IN NATURE, DEVELOPED AND MANUFACTURED BY SWITCHCRAFT INC. AND IS RELEASED ON A CONFIDENTIAL BASIS FOR IDENTIFICATION PURPOSES ONLY. | | | | |
| SIZE | WIDTH | MULT | LBS/M | TEMPER |
| FINISH SPEC No. | | MATERIAL SPEC No. | | |
| FIRST USED ON | | SCALE 3:1 | | |
| DATE DRAWN | BY | CHKD | APVD | Switchcraft |
| 3-3-94 | LR | JD 3-8-94 | GHJ 3-8-94 | |
| NAME | | | PART No. | REV |
| FEMALE OG INSERT SERIES, RoHS | | | QG_F SERIES | X |

CUSTOMER DRAWING