

BS-1030B/ BS-1030W

MUSIC/PAGING SPEAKERS

THE TOA BS-1030 MUSIC/PAGING SPEAKER has exceptional sound quality and value for a wide variety of applications. Available in black and white, the versatile BS-1030 is designed for both indoor and outdoor use with a durable ABS resin enclosure and steel mesh grille.

The two-way, bass-reflex design features a 4.72" (12 cm) cone woofer, 1" (2.5 cm) dome tweeter and built-in multi-tap transformer with screw-driver-adjustable power taps. A transformer bypass setting allows direct 8-ohm operation.

Installation is fast and easy with the supplied mounting bracket or rear panel keyholes for horizontal or vertical surface-mounting.

The BS-1030 speakers are backed with a five year warranty.

APPLICATIONS

- Audio/Visual
- Airports
- Bars/Lounges/Nightclubs
- Convention Centers
- Corporate Boardrooms
- Hotels/Hospitality
- Houses of Worship
- Museums
- Offices
- Patios
- Residential Spaces
- Restaurants
- Retail Stores
- Schools
- Theaters
- Theme Parks



HIGHLIGHTS

- **Compact Speaker for Music and Voice Paging Distribution**
- **Clear, Natural Sound Reproduction**
- **TOA Quality and Reliability**
- **Wide Variety of Indoor/Outdoor Applications**
- **Available in Black (BS-1030B) and White (BS-1030W)**
- **Weather-Resistant (IEC IP-X4 Rating)**
- **Mounting Bracket Included**
- **Horizontal or Vertical Mounting with rotatable logo badge**
- **Durable ABS Resin UV-Resistant Paintable Enclosure**
- **Two-Way, Bass-Reflex Design**
- **4.72" Cone Woofer and 1" Dome Tweeter**
- **Steel Mesh Grille**
- **Power Handling:** 90 W (Continuous Program)
- **Sensitivity:** 90 dB SPL (1 W/1 m)
- **Frequency Response:** 80 Hz to 20 kHz
- **Built-in Multi-tap Transformer (70.7/100 V)**
- **Screwdriver-Adjustable Power Tap Settings:** 5, 10, 15, 20 and 30 W
- **Direct 8-Ohm Mode**
- **Five Year Warranty**

OPTIONAL ACCESSORIES

FB-100	Subwoofer
HB-1	Flush-Mount In-Wall Subwoofer
WCB-12	Swivel Bracket, Black
WCB-12W	Swivel Bracket, White

SPECIFICATIONS

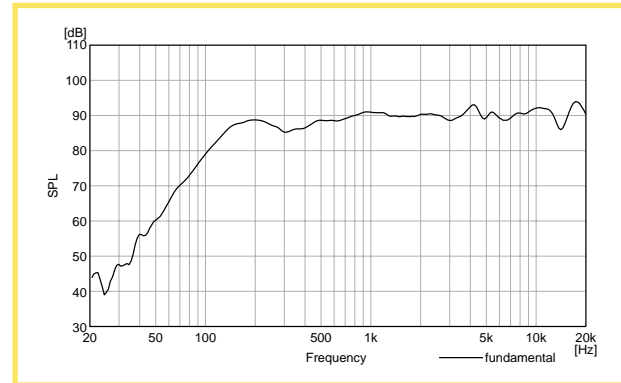
BS-1030B / BS-1030W
MUSIC/PAGING SPEAKERS

Tel: 800-733-7088
Fax: 800-733-9766
www.toaelectronics.com

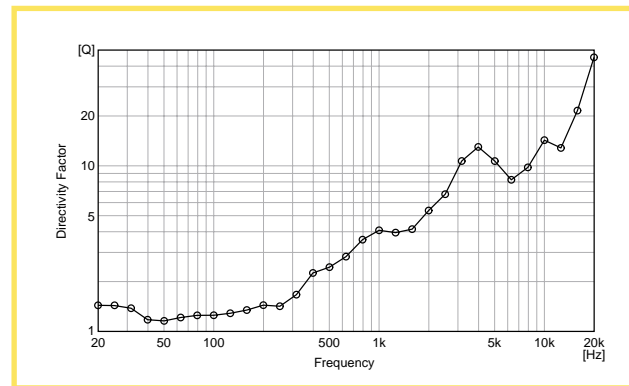


Model No.	BS-1030B / BS-1030W
Enclosure Type	Two-way bass reflex
Speaker Components	4.72" (12 cm) dynamic cone-type speaker 1" (2.5 cm) balanced dome tweeter
Impedance/Power Tap (screwdriver-adjustable rotary switch)	70.7 V line: 30 W (170 Ω), 20 W (250 Ω), 15 W (330 Ω), 10 W (500 Ω), 5 W (1k Ω) 100 V line: 30 W (330 Ω), 20 W (500 Ω), 15 W (670 Ω), 10 W (1k Ω), 5 W (2k Ω) Direct: 8 Ω
Sensitivity (1 W/1 m, anechoic chamber)	90 dB SPL
Power Handling	Continuous Program: 90 W (8-ohm) Continuous Pink Noise (24 hrs.): 30 W (8-ohm) Transformer: 30 W (70.7 V, 100 V line)
Frequency Response	80 – 20,000 Hz
Crossover Frequency	4 kHz
Speaker Cable	2-conductor cable
Weather Resistance Rating (IEC 60529)	IP-X4 (Protected against water sprayed from all directions - limited ingress)
Material / Finish	BS-1030B: Enclosure: ABS resin, black, acrylic paint, UV-resistant Grille/Bracket: Surface-treated steel plate, black, powder coating BS-1030W: Enclosure: ABS resin, white, acrylic paint, UV-resistant Grille/Bracket: Surface-treated steel plate, white, powder coating
Operating Temperature	14° F to 122° F (-10° C to +50° C)
Dimensions (W x H x D)	7.72" x 11.42" x 5.91" (196 mm x 290 mm x 150 mm)
Weight (without bracket)	5.51 lbs. (2.5 kg)
Accessories (included)	Bracket x1, Bracket Mounting Screw x2, Bracket Mounting Washer x2
Optional Brackets	BS-1030B: WCB-12 Swivel Bracket, Black BS-1030W: WCB-12W Swivel Bracket, White
Options	FB-100 Subwoofer HB-1 Flush-Mount In-Wall Subwoofer

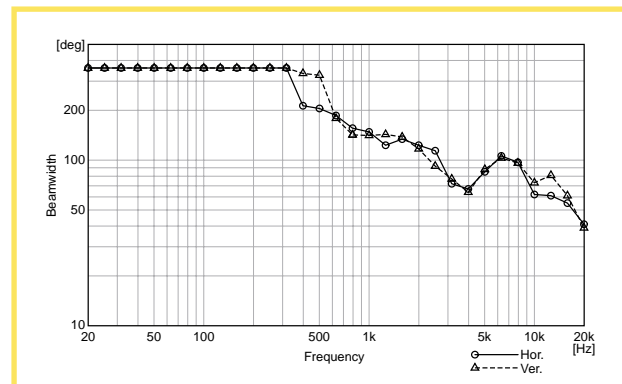
FREQUENCY RESPONSE



DIRECTIVITY FACTOR VS. FREQUENCY



BEAMWIDTH VS. FREQUENCY



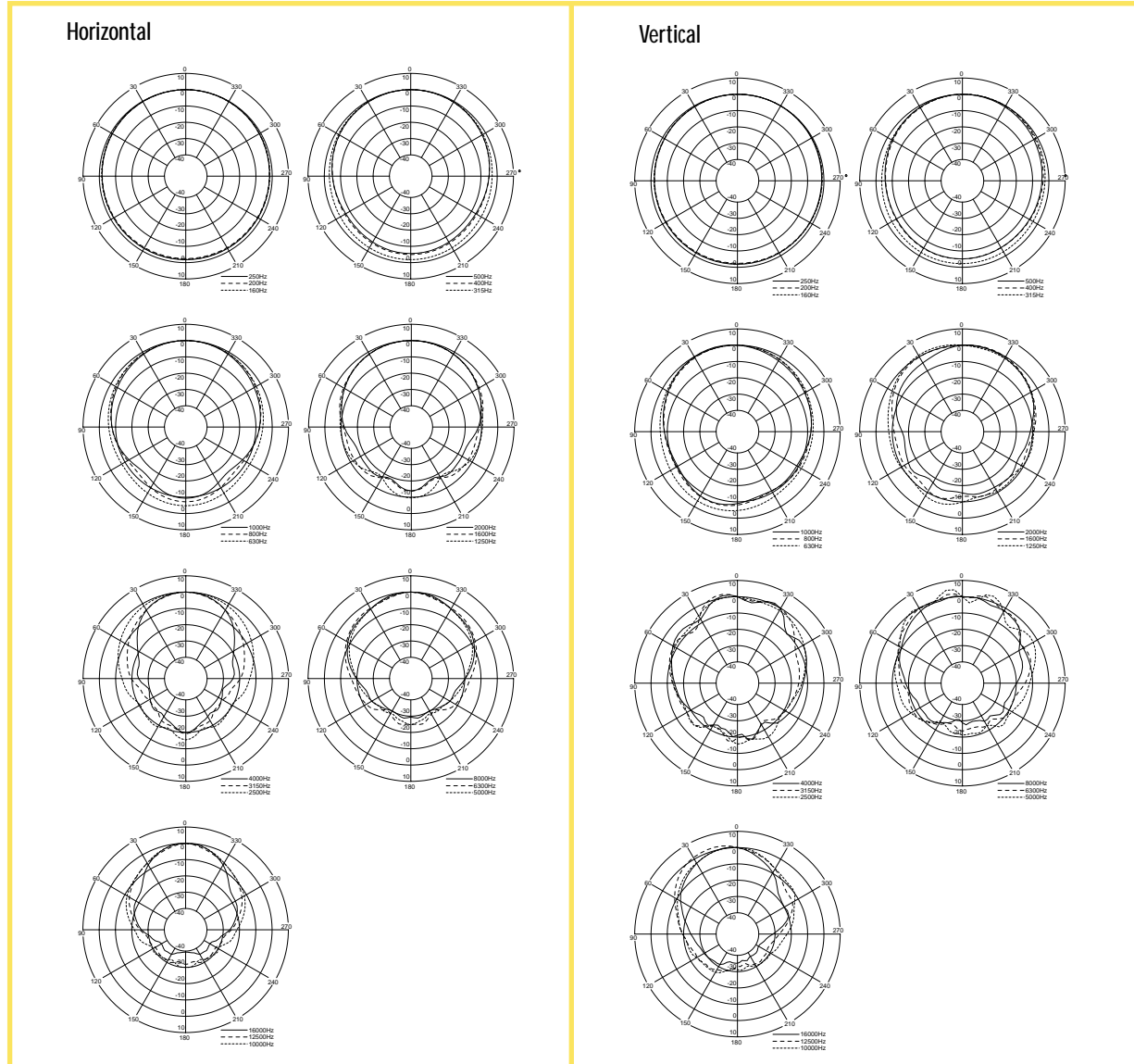
SPECIFICATIONS

BS-1030B / BS-1030W
MUSIC/PAGING SPEAKERS

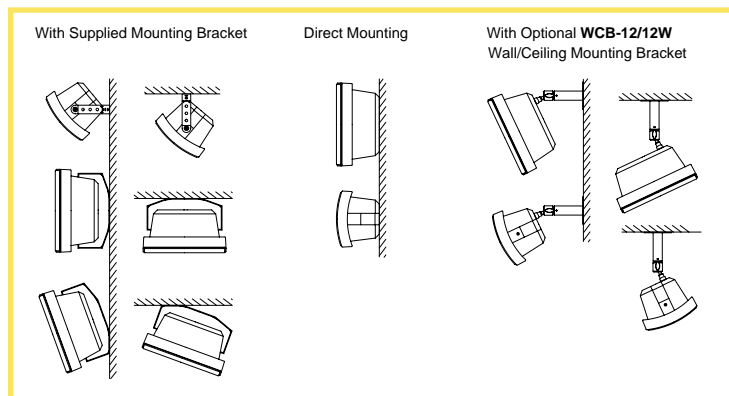
Tel: 800-733-7088
Fax: 800-733-9766
www.toaelectronics.com



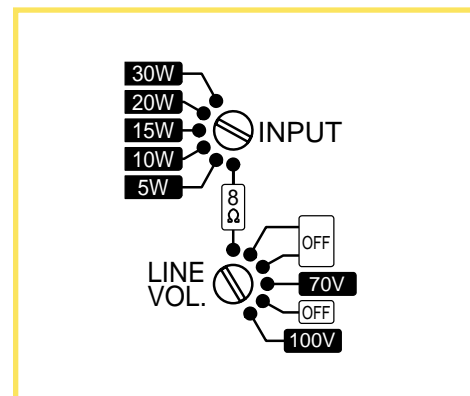
POLAR RESPONSE



MOUNTING OPTIONS



LINE VOLTAGE / POWER TAP SELECTOR



SPECIFICATIONS

BS-1030B / BS-1030W
MUSIC/PAGING SPEAKERS

Tel: 800-733-7088
Fax: 800-733-9766
www.toaelectronics.com



ARCHITECT'S & ENGINEER'S SPECIFICATIONS

The music/paging speaker shall be a two-way bass reflex enclosure suitable for wall or ceiling mounting. The low frequency component shall be a 4.72" (12 cm) cone-type speaker and the high frequency component shall be a 1" (2.5 cm) balanced dome tweeter.

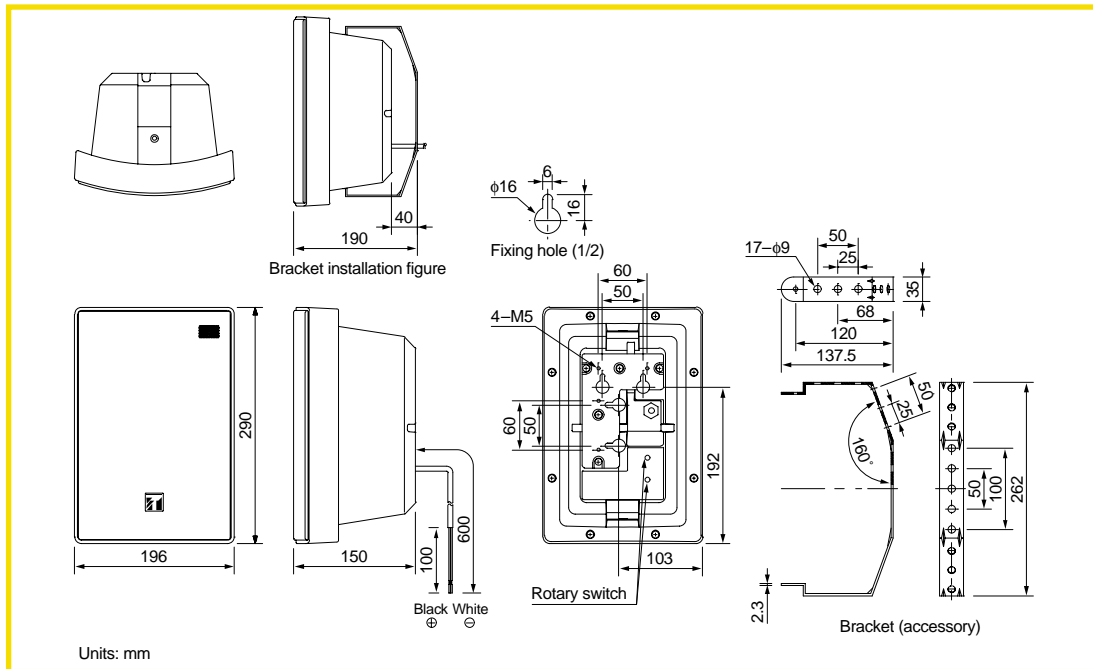
The speaker shall be compatible with low and high impedance speaker systems and include a built-in 70.7/100 V matching transformer. The rear panel shall have screwdriver-adjustable tap settings of: 30 W, 20 W, 15 W, 10 W, and 5 W plus a bypass setting for direct 8-ohm operation. The output sound pressure level at a distance of 1 meter with 1 W of input power applied shall be 90 dB SPL. The rated power handling (Continuous Program) shall be 90 W at 8 ohms and 30 W with matching transformer. The speaker shall have a frequency response from 80 Hz to 20 kHz.

The speaker enclosure shall be ABS resin, black/white treated with UV-resistant acrylic paint. The grille and bracket shall be surface-treated steel plate with black/white powder coating.

The unit shall be compact and lightweight with dimensions of 7.72"W x 11.42"H x 5.91"D (196 mm x 290 mm x 150 mm) and weight of 5.51 lbs (2.5 kg). The speaker shall have the IEC weather resistance rating of IP-X4 with an operating temperature range of 14°F to 122°F (-10°C to +50°C).

The music/paging speaker shall be the TOA BS-1030B / BS-1030W.

DIMENSIONAL DRAWING



TOA Electronics, Inc.

601 Gateway Boulevard
Suite 300
South San Francisco, CA 94080

Tel: 800-733-7088 Fax: 800-733-9766

www.toaelectronics.com

TOA Canada Corp.

Tel: 905-564-3570 Fax: 905-564-3569

Literature Order #: L-BS-1030
Specifications subject to change without notice.
© 2002 TOA Electronics, Inc.