

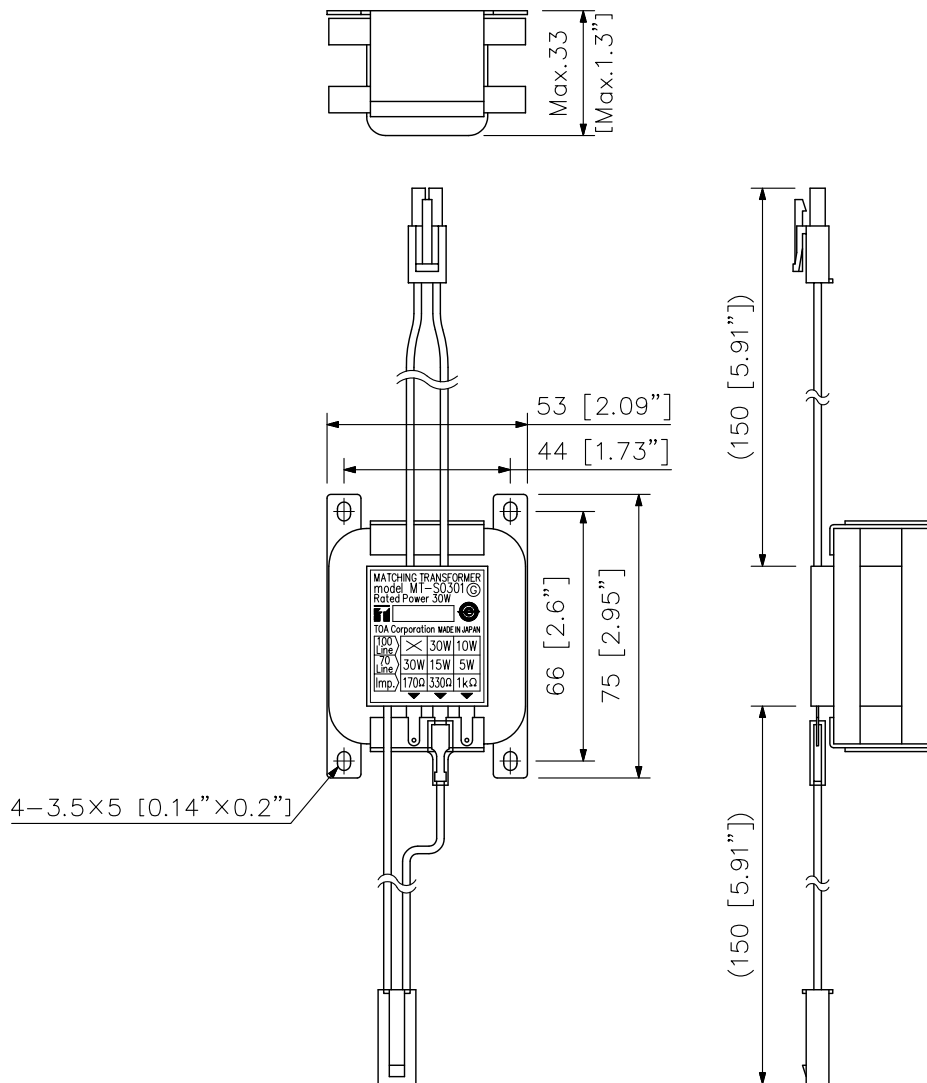
■ DESCRIPTION

The MT-S0301 Matching Transformer is designed to be installed in the Line Array Speaker.

■ SPECIFICATIONS

Rated Input Power	30 W
Primary Side	100 V line: 330 Ω (30 W), 1 kΩ (10 W) 70 V line: 170 Ω (30 W), 330 Ω (15 W), 1 kΩ (5 W)
Secondary Side	8 Ω
Weight	370 g (0.82 lb)
Applicable Speaker	SR-H3S, SR-H3L, SR-H2S, SR-H2L

■ APPEARANCE



UNIT:mm SCALE:1/2