

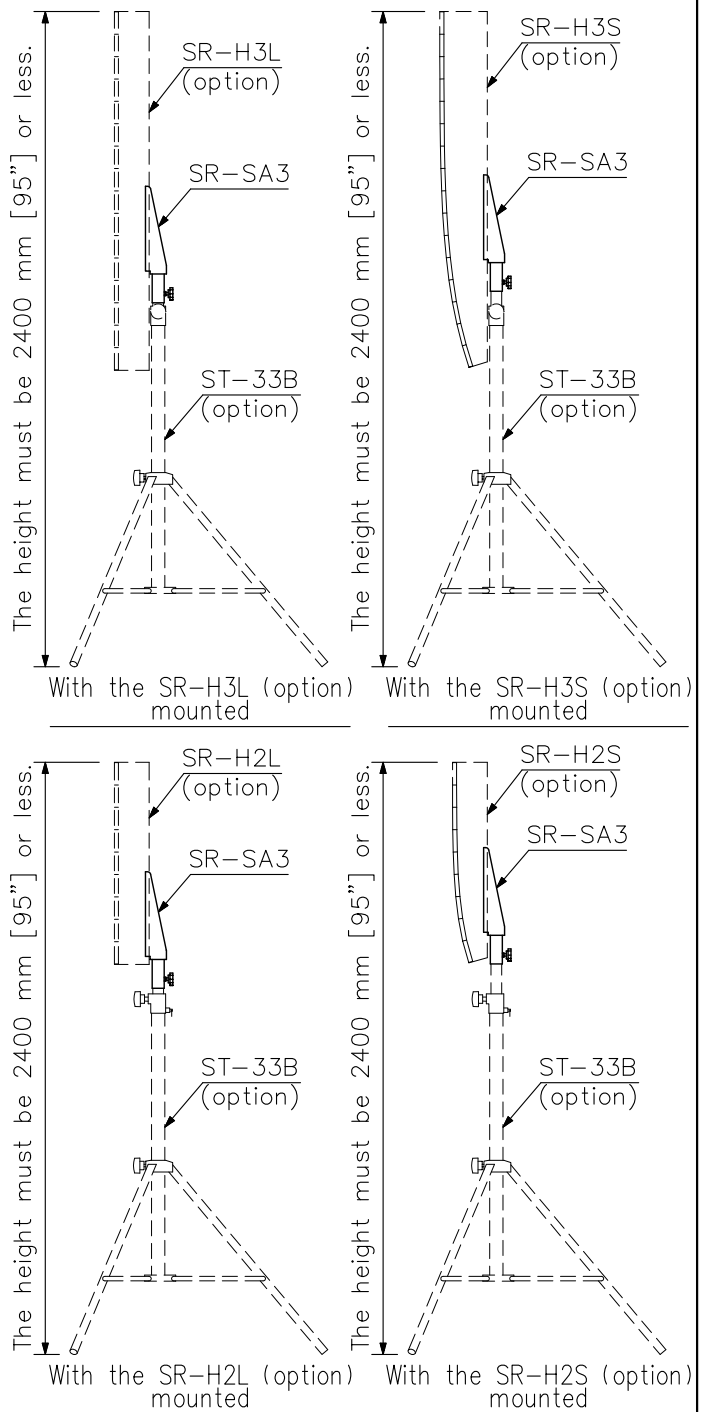
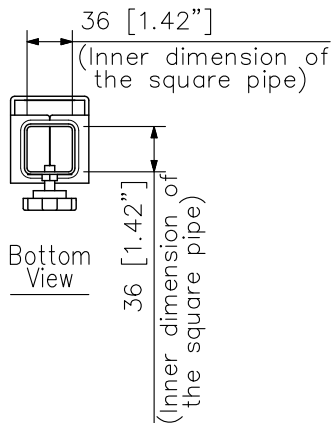
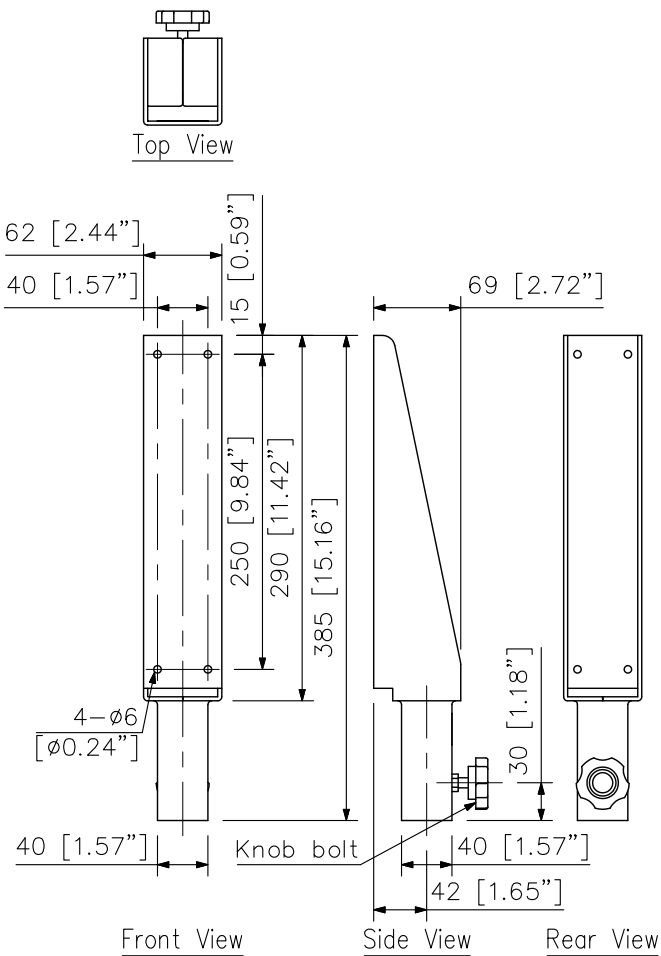
DESCRIPTION

The SR-SA3 is designed to be used to mount the Line Array Speaker on a speaker stand.

SPECIFICATIONS

| | |
|---------------------------|---|
| Applicable Speaker | SR-H3S, SR-H3L, SR-H2S, SR-H2L |
| Finish | Steel plate, black, paint |
| Dimensions | 62 (W) × 385 (H) × 69 (D) mm (2.44" × 15.16" × 2.72") |
| Weight | 1.4 kg (3.09 lb) |
| Accessory | Speaker mounting bolt (hex bolt M5 × 25 (with washer)) ×4 |
| Applicable Stand (option) | ST-33B |

APPEARANCE



Mounting example (scale: 1/25)

UNIT:mm SCALE:1/6