

## APS-1

### Antenna Combiner/Splitter

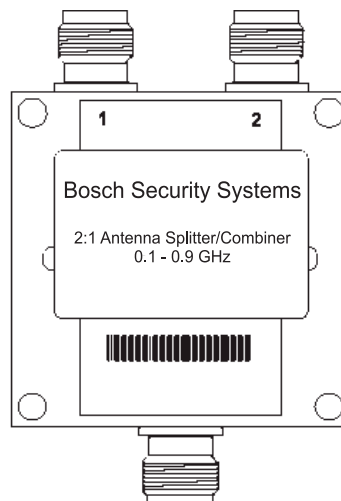
The APS-1 is a 2:1 antenna splitter or combiner. This is a great solution to combine or distribute simple 2-up systems setups of BTR-800 or BTR-700. The APS-1 can be used with any UHF RTS RadioCom base.



## Features

- Small Size, approximately 2" x 2"
- Convenient TNC connectors (No coaxial adapters required)
- Signal Loss: -3.5dB, typical
- Frequency Range: 100MHz to 900MHz
- Low insertion loss, 0.3dB, typical (loss above 3dB)
- Good UHF isolation, 26dB, typical
- Up to 5W power input as splitter
- Excellent amplitude unbalance, 0.1dB, typical
- Excellent phase unbalance, 1 degree, typical
- Rugged shielded case

## Line Drawings



# Specifications

## Maximum Ratings

Operating Temperature.....-55°C to 100°C (-67°F to 212°F)  
Storage Temperature.....-55°C to 100°C (-67°F to 212°F)

Power Input matched on all parts (as a splitter) .....5W max.  
Internal Dissipation ..... 1W max.

## Splitter Electrical Specifications

Frequency Range ..... 100MHz to 900MHz  
Isolation .....23dB typ.  
18dB min.  
Insertion Loss Above 3.0dB.....0.3dB typ.  
1.0dB max.  
Phase Unbalance (degrees)..... 3 max.  
Amplitude Unbalance .....0.3dB max.  
VSWR..... 1.5:1 max.  
RoHS .....Compliant

## Product Dimensions/Weight

APS-1 ..... 3" D x 2" W x 3/4" H  
(7.62cm x 5.08cm x 1.91cm)  
4oz (113g)

## Shipping Dimensions/Weight

APS-1 .....4" D x 3" W x 3" H  
(10.16cm x 7.62cm x 7.62cm)  
1lb (454g)

# Order Information

APS-1 • Antenna Combiner/Splitter

For ordering information, contact your regional sales representative at:  
<http://rtsintercoms.com/us/intercom/contact>

The specification information is preliminary and is subject to change without notification.  
Brand names mentioned are the property of their respective companies.