



xVision Video Converter

SDI DA 1 to 4

XVV-SDIDA

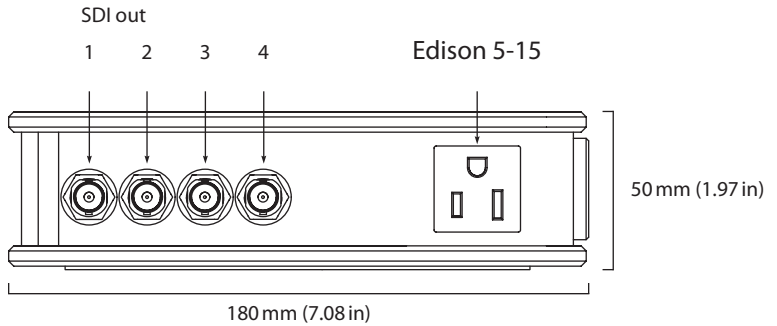
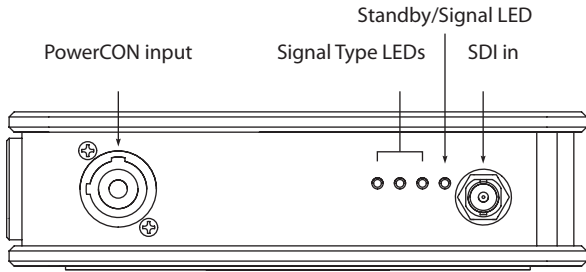
Professional equipment in mission-critical applications is all about reliability and confidence. So we started with a clean sheet, and built what may soon become your most trustworthy piece of equipment.

Introducing the world's first video converters *truly* designed for the road. Video converters nowadays are used everywhere on professional A/V events, presentations, live shows and tours and often have a critical role. Yet, they are often the weakest link in the signal chain. Low quality connectors, weak enclosure, external consumer-grade power supply, and overall barebones design that all contribute to a generally unreliable piece of equipment. We wanted to change that, so we designed the xVision Video Converters.



Features

- ✓ **Integrated power supply** with locking PowerCON connector. Never rely on a cluster of wall-warts again.
- ✓ **Built-in convenience 120V** outlet to power nearby projector, TV, laptop, small video projector... Power bar to power both the converter and device not required anymore.
- ✓ **Magnetic stacking system** and non-skid rubber pad. Saves at least 10 gaffer tape rolls a year.
- ✓ **Multiple mounting options:** C-Clamp, wall-mount adapter, LCD mount adapter and belt adaptor.
- ✓ **Rugged, Tour-ready and aesthetic enclosure:** The sexiest widget in your tool box, that will keep looking good for years to come.
- ✓ **Plug-n-play operation**; No dipswitches, buttons or menus to fumble with: It just works.
- ✓ Clear and ample status **LED indicators** for quick troubleshooting.
- ✓ **Easy on-the-field identification** with unique color and alphabetic coding system.
- ✓ All outputs **fully relocked and amplified**.
- ✓ Proudly designed and assembled **in Canada**.



Connections

Video Input	3G/HD/SD SDI BNC
Video Output	4 x 3G/HD/SD SDI BNC

Supported Signals

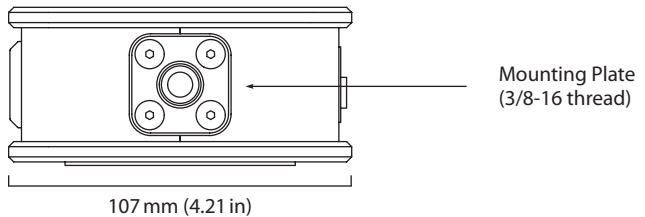
3G Format Support	1080p50, 1080p59.94, 1080p60.
HD Format Support	720p50, 720p59.94, 720p60, 1080i50, 1080i59.94, 1080i60, 1080p23.98, 1080PsF23.98, 1080p24, 1080PsF24, 1080p25, 1080PsF25, 1080p29.97, 1080PsF29.97, 1080p30, 1080PsF30
SD Format Support	525/23.98 NTSC, 525/29.97 NTSC.625/25 PAL.
SDI Video Sampling	4:2:2 and 4:4:4
SDI Audio Sampling	Sample rate of 48 kHz and 24 bit.
SDI Color Space	YUV and RGB
SDI Auto Switching	Automatically detects incoming signal format.

Physical Specifications

Height	50 mm (1.97 in)
Depth	180 mm (7.08 in)
Width	107 mm (4.21 in)
Weight	1 kg (2.2 lbs)

Environmental Specifications

Relative Humidity	0% to 90% non-condensing
--------------------------	--------------------------



Power Requirements

Power Supply	Built-in power supply PowerCON input Edison Nema 5-15 output
Power Consumption	25 W
Operational Voltage Range	90-125 V 90-250V also available (with PowerCON True1)
Courtesy Outlet	Max 10A, same voltage as input

In the box

- xVision converter SDI DA 1:4
- Edison to PowerCON (1m)

Certification

This device complies with the following international standards	CAN/CSA-C22.2 NO. 60950-1-07 UL 60950-1 FCC Part 15 Class A
--	---

Ordering information

XVV-HDMI2SDI	xVision HDMI to SDI converter
XVV-SDI2HDMI	xVision SDI to HDMI converter
XVV-SDIDA	xVision SDI Distribution Amplifier (4 outputs)
XVV-SDI2SDI	xVision Dual Channel SDI Repeater

XVV-MW	xVision Video Converter Wall Mount Adapter
XVV-HDMI2HDBT	xVision HDMI to HDBaseT Transmitter
XVV-HDBT2HDMI	xVision HDBaseT to HDMI Receiver
XVV-CC2	xVision Video Converter Carrying Case for 2 units