



# xVision Video Converter

## SDI DA 1 to 4

XVV-SDIDA-TRUE1

Professional equipment in mission-critical applications is all about reliability and confidence. So we started with a clean sheet, and built what may soon become your most trustworthy piece of equipment.

Introducing the world's first video converters *truly* designed for the road. Video converters nowadays are used everywhere on professional A/V events, presentations, live shows and tours and often have a critical role. Yet, they are often the weakest link in the signal chain. Low quality connectors, weak enclosure, external consumer-grade power supply, and overall barebones design that all contribute to a generally unreliable piece of equipment. We wanted to change that, so we designed the xVision Video Converters.

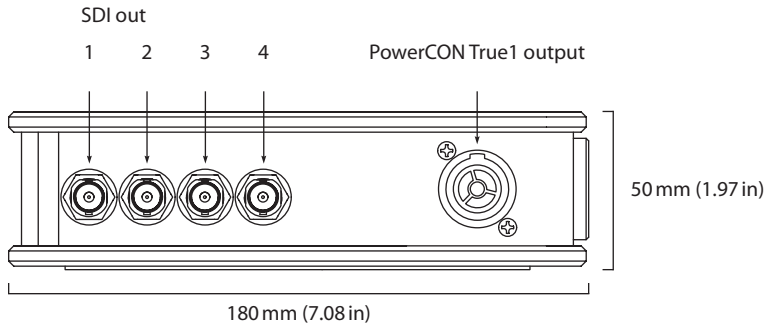
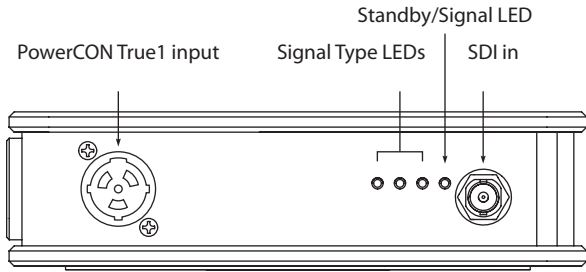


MADE IN CANADA



## Features

- ✓ **Integrated power supply** with locking PowerCON True 1 Connector. Never rely on a cluster of wall-warts again.
- ✓ **Built-in convenience AC outlet** to power nearby projector, TV, laptop, small video projector... Power bar to power both the converter and device not required anymore.
- ✓ **Magnetic stacking system** and non-skid rubber pad for table top application. Saves at least 10 gaffer tape rolls a year.
- ✓ **Multiple mounting options:** C-Clamp, wall-mount adapter, LCD mount adapter and belt adaptor.
- ✓ **Rugged, Tour-ready and aesthetic enclosure:** The sexiest widget in your tool box, that will keep looking good for years to come.
- ✓ **Plug-n-play operation**; No dipswitches, buttons or menus to fumble with: It just works.
- ✓ Clear and ample status **LED indicators** for quick troubleshooting.
- ✓ **Easy on-the-field identification** with unique color and alphabetic coding system.
- ✓ All outputs **fully relocked and amplified**.
- ✓ Proudly designed and assembled in **Canada**.



## Connections

<b>Video Input</b>	3G/HD/SD SDI BNC
<b>Video Output</b>	4 x 3G/HD/SD SDI BNC

## Supported Signals

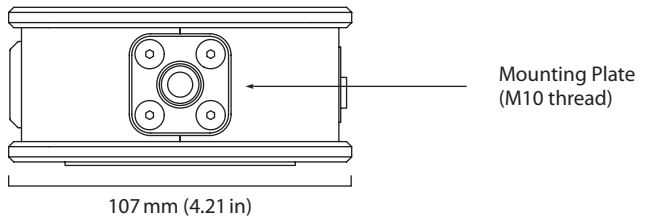
<b>3G Format Support</b>	1080p50, 1080p59.94, 1080p60.
<b>HD Format Support</b>	720p50, 720p59.94, 720p60, 1080i50, 1080i59.94, 1080i60, 1080p23.98, 1080PsF23.98, 1080p24, 1080PsF24, 1080p25, 1080PsF25, 1080p29.97, 1080PsF29.97, 1080p30, 1080PsF30
<b>SD Format Support</b>	525/23.98 NTSC, 525/29.97 NTSC.625/25 PAL.
<b>SDI Video Sampling</b>	4:2:2 and 4:4:4
<b>SDI Audio Sampling</b>	Sample rate of 48 kHz and 24 bit.
<b>SDI Color Space</b>	YUV and RGB
<b>SDI Auto Switching</b>	Automatically detects incoming signal format.

## Physical Specifications

<b>Height</b>	50 mm (1.97 in)
<b>Depth</b>	180 mm (7.08 in)
<b>Width</b>	107 mm (4.21 in)
<b>Weight</b>	1 kg (2.2 lbs)

## Environmental Specifications

<b>Relative Humidity</b>	0% to 90% non-condensing
--------------------------	--------------------------



## Power Requirements

<b>Power Supply</b>	Built-in power supply PowerCON True1 input PowerCON True1 output
<b>Power Consumption</b>	25W
<b>Operational Voltage Range</b>	90-250V with True1 Connectors
<b>Courtesy Outlet</b>	Max 10A, same voltage as input

## In the box

- xVision converter
- SDI DA 1:4 (True1)

## Certification

<b>This device complies with the following international standards</b>	CAN/CSA-C22.2 NO. 60950-1-07 UL 60950-1 FCC Part 15 Class A EN 60950-1, EN 55022
--	---

## Ordering information

<b>XVV-HDMI2SDI-TRUE1</b> .....	xVision HDMI to SDI converter (True1)
<b>XVV-SDI2HDMI-TRUE1</b> .....	xVision SDI to HDMI converter (True1)
<b>XVV-SDIDA-TRUE1</b> .....	xVision SDI Distribution Amplifier (4 outputs, True1)
<b>XVV-SDI2SDI</b> .....	xVision Dual Channel SDI Repeater

<b>XVV-MW</b> .....	xVision Video Converter Wall Mount Adapter
<b>XVV-HDMI2HDBT</b> .....	xVision HDMI to HDBaseT Transmitter
<b>XVV-HDBT2HDMI</b> .....	xVision HDBaseT to HDMI Receiver
<b>XVV-CC2</b> .....	xVision Video Converter Carrying Case for 2 units