



Now available in English, French,  
Spanish and Portuguese

## Inexpensive, Point-to-Point or Multi-Point IP Audio Codec

Tieline's Bridge-IT is the ultimate cost effective, high-performance, point-to-point and multi-point stereo IP audio codec solution for broadcast and professional applications.

### IP Audio Applications

Bridge-IT is perfect for:

- Studio-to-Transmitter Link (STL) applications
- Studio-to-Studio Links
- IP audio distribution
- IP multicasting on compatible IP networks
- Simple remote broadcast links
- Low-latency audio over IP bridging solutions
- IP Multi-Unicast over compatible IP networks
- Multiple codec installations (2 codecs fit in 1 x 19" rack unit)

### Networking

Bridge-IT is capable of transporting

audio streams reliably, simply and effectively over IP data networks such as wired and wireless LANs, WANs, the internet, satellite IP, Wi-MAX and Wi-Fi.

### Affordable Cost IP Audio

Bridge-IT is inexpensive and allows broadcasters to expand their IP network at a fraction of the cost of competing IP codecs without compromising on broadcast quality features.

### Simple to use...

Compare Bridge-IT's superior programming functionality and simple user interface with other low cost codecs.

Bridge-IT features a full hardware front panel interface including navigation buttons, LCD display, PPM metering and dialing key pad. It can also be configured and controlled remotely using the Toolbox web-GUI interface.

### Space Saving Design

At 8.5" x 5.9" x 1.75" (216mm x 150mm x 44mm), Bridge-IT is perfect for desktop use, or install two codecs side-by-side in an optional 1RU mounting bracket.

### Algorithm Technology

Bridge-IT comes with 16bit, 48kHz linear audio for crystal clear, low-latency uncompressed sound. Standard broadcast algorithms available include MPEG Layer 2, Opus, AAC-LC, AAC-HE v.1 and v.2, AAC-LD, AAC-ELD, G.711 (u-law and a-law), G.722 and MP3 playback from an SD/SDHC card. Bridge-IT also offers 15kHz audio using Tieline Music, or 22kHz audio using Tieline MusicPLUS, which delivers dual mono or stereo with 20 ms encode delay at 96Kbps, offering huge savings on your data bills.

Optional aptX Enhanced audio coding has also been integrated into Bridge-IT for extremely low delay STLs and Audio Distribution.



1RU Rack Frame (Optional Accessory) with two Bridge-IT Codecs installed

## Compatibility

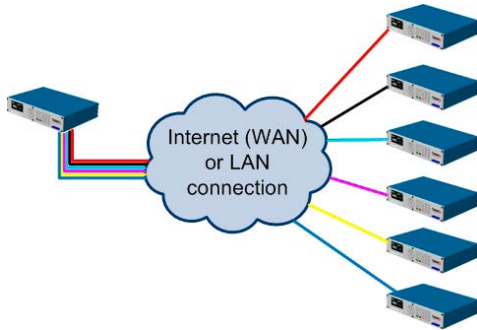
Bridge-IT will connect to any SIP-enabled IP codec brand with industry standard algorithms like Opus, AAC-LC, AAC-HE, AAC-LD, AAC-ELD, MPEG Layer 2, G.711 & G.722, as well as VoIP devices supporting G.711 and G.722. Bridge-IT is fully EBU N/ACIP Tech 3326 compatible using SIP for connecting to other codec brands and devices. It is also internet/satellite streaming and HD radio compatible.

## Broadcast Multiple Connections

Multicast stereo audio over compatible networks to unlimited end-points, or send up to 6 stereo multi-unicast audio streams over WANs like the internet.

## Audio Backup

Insert an SD/SDHC card with MP3 or linear backup audio and Bridge-IT will automatically play out the audio if your IP service fails.



Feature	Standard Feature	Optional Feature
<b>Codecs</b>		
2 x Encode & Decode (send & receive)	✓	
<b>Audio Formats</b>		
Linear PCM 16-bit (uncompressed)	✓	
G.711 (a-law & u-law)	✓	
G.722	✓	
MPEG Layer 2	✓	
MPEG Layer 3 (SD/SDHC Playback)	✓	
Tieline Music & MusicPLUS	✓	
AAC-LC, AAC-HE .v1/v2	✓	
aptX Enhanced (16-bit, 24-bit)		✓
<b>Audio / Failover</b>		
SD/SDHC Flash Card (4 GB Min)*	✓	
<b>Applications</b>		
Multiple-Unicasting (6 streams, 1 bi-directional) and Multi-unicasting	✓	
ToolBox Web GUI with Function Manager	✓	
<b>Other</b>		
Dimensions 8.5" x 5.9" x 1.75" (216mm x 150mm x 44mm)		
Compliances: EMC/EMI, WEEE, RoHS, FCC, CE, C✓		

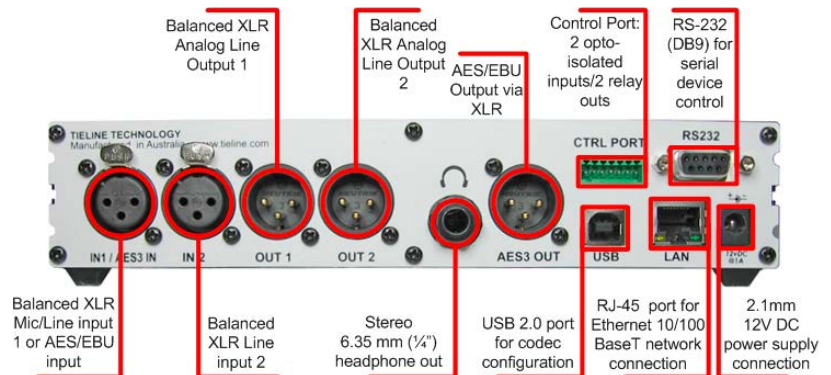
\* SD card not supplied  
\*\* 1 year Warranty Standard

## Familiar Broadcast Connectors

Unlike most low cost IP audio codecs, Bridge-IT has all the broadcast input connectors you would expect on a full-featured codec. Simultaneous analog and digital AES/EBU audio outputs are provided on XLR connectors and it includes a 1/4" (6.35mm) stereo headphone output.

## Remote Control Interfaces

2 control inputs and outputs are provided via a pluggable terminal block. The ToolBox web-GUI enables custom control of relay functionality and ancillary RS232 data connections.



### Americas

Tieline America LLC  
7202 E. 87th Street, Suite #116,  
Indianapolis, IN 46256  
Toll-free (888) 211-6989  
Direct Ph: +1 (317) 845-8000  
Fax: +1(317) 913-6915  
E-mail: sales@tieline.com

### International

Tieline Pty Ltd  
1/25 Irvine Drive  
Malaga, WA. 6090 Australia  
Ph: +61 (0)8 9249 6688  
Fax: +61 (0)8 9249 6858  
E-mail: info@tieline.com