



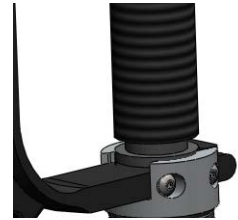
VZ-FlowPod Mini



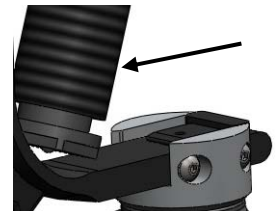
Handheld Camera Stabilizer/Support

Includes: Main Unit, 5 weights, Support Belt, Carrying Bag.

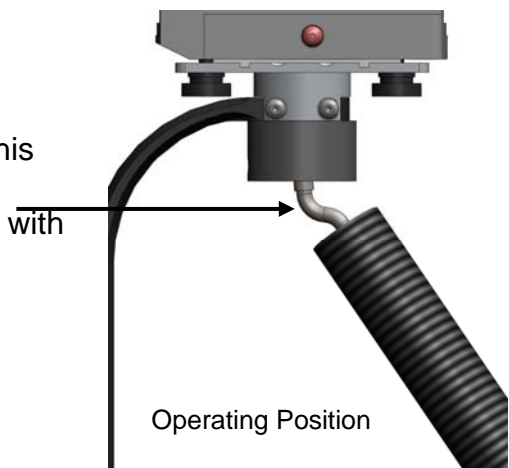
- 1) The first thing to understand is the locking feature of the hand grip. The FlowPod Mini comes with the hand grip in the locked position. When storing and transporting the FlowPod Mini, the hand grip should be in the locked position. Additionally, when using the FlowPod Mini in monopod mode, you should also lock the hand grip. Locked position is shown at right.



- 2) When operating the FlowPod Mini in handheld stabilizer mode, the grip must be unlocked. To unlock the grip, simply press the base of it forward. It will pop out of the locked position and then you will be able to rotate it freely. Locking the grip is the opposite. The square end of the grip fits snugly into the square capture socket and a spring-loaded ball on the underside of the grip snaps into the hole at the center of the capture socket to prevent accidental release of the grip.



- 3) When the handle is free, you will note that it operates best with the curved gimbal stem pointing forward. This position offers the maximum range of motion, so we strongly recommend only operating the FlowPod Mini with the grip/gimbal in this orientation.

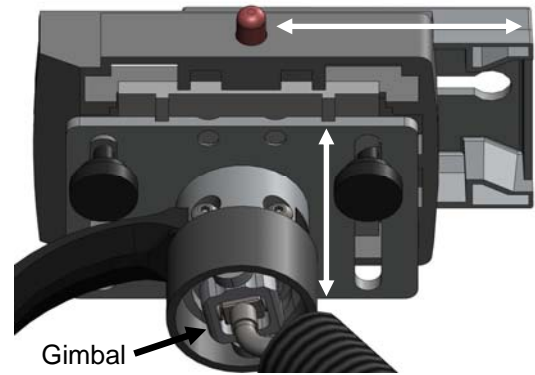


- 4) To begin setting up the FlowPod Mini for use in handheld stabilizer mode, start by removing the quick-release plate from the FlowPod Mini and mounting it to your camera. If your camera has a somewhat heavy lens, you may want to slide the camera all the way to the back of the quick-release plate before tightening the thumbscrew. Once the plate has been secured to the camera, attach it to the base plate of the FlowPod Mini and lock the plate position with the lever.

- 5) Horizontal Balance – The camera’s mass must be centered on the gimbal for the unit to remain level – this is *horizontal balance*. Set the horizontal balance of the camera by sliding the ‘X-Y Plate’ side to side and front to back. In other words, if the camera leans to one side, you can slide it the other way to compensate.

-For side to side adjustment, loosen the 2 thumbscrews underneath the plate and slide the mounting plate to balance.

-For front to back adjustment, loosen the quick-release locking lever and slide the quick-release plate to balance.

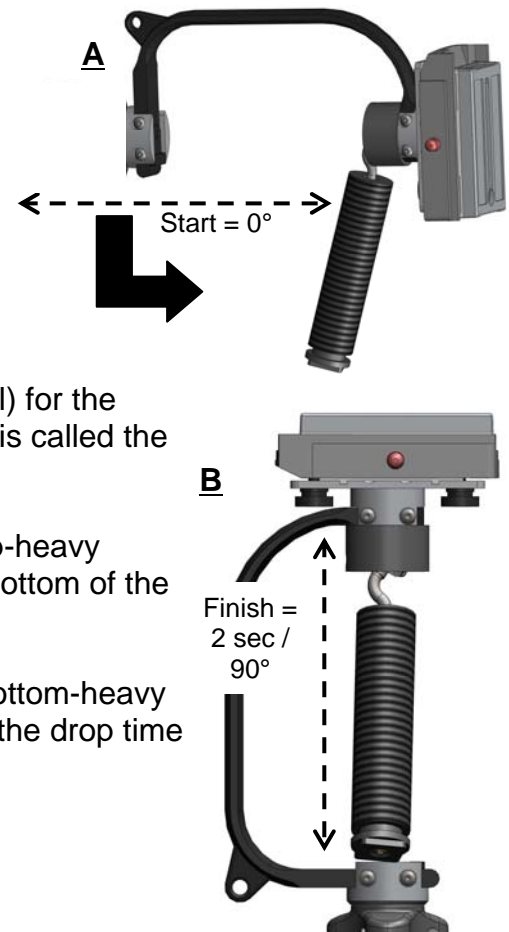


- 6) Vertical Balance – The camera’s mass/inertia must be balanced by the mass/inertia of the stabilizer below the gimbal – this is *vertical balance*. Set the vertical balance by adding/subtracting counterweights.

A) To test the vertical balance, hold the grip and turn the FlowPod Mini to a horizontal position while holding the grip as close to vertical as possible. Release the lower part of the FlowPod Mini & let it swing down – it should take about 2 seconds (gradual) for the monopod to go from horizontal to vertical (90°). This is called the *drop time*.

B) If the monopod doesn’t swing down, the unit is top-heavy and requires addition of more counterweights to the bottom of the monopod.

-If the monopod swings down *very* fast, the unit is bottom-heavy and requires removal of counterweights. Adjust until the drop time is about 1-2 seconds OR until the unit stays vertical.



Additional Counterweights Installed

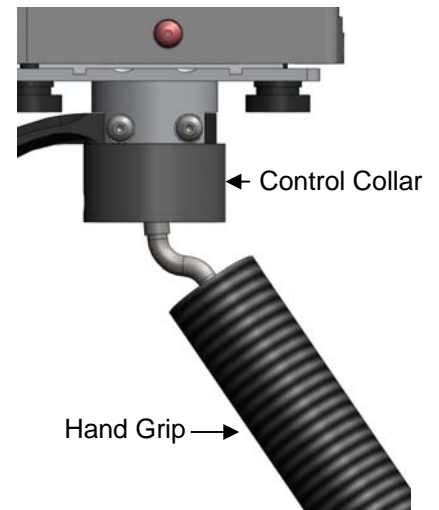


- 7) Check Horizontal Balance - Once you’ve achieved vertical balance, fine tune the horizontal balance until the camera stays completely level. You should be able to hold the unit by the hand grip in the operating position and the camera should stay level and pivot freely on the gimbal. If the unit tends to lean in one direction, you need to adjust the horizontal balance.

- 8) Check Vertical Balance - Walk with the unit and move it side to side and front to back. If the unit is vertically balanced, it should stay upright when moved - it should not sway or behave like a pendulum. If the unit sways, adjust the vertical balance until the unit stays vertical while in motion.

Note: Once the FlowPod Mini is balanced, do not move anything on the camera or make any mechanical adjustments, or the balance will be affected.

- 9) Once the unit is balanced, you can practice shooting. Because the FlowPod Mini hand grip is specifically designed to be held at an angle and also to lock in place for storage/monopod mode, you must hold the grip at a slight angle (as pictured at right). We recommend shooting at a fixed focal length (preset zoom ratio), as DSLR lenses telescope when zoomed, and this changes the horizontal balance. Depending on lighting conditions, you may also find it works better if you set the camera to manual focus at a preset distance so you don't experience the 'hunting effect' (constant shifts in focus).



- The first key to operating the FlowPod Mini is the way it is held. Hold the hand grip with your dominant hand and use your free hand to delicately 'steer' the unit at the Control Collar. Lightly grasp the Control Collar with your thumb and forefinger to steer the camera and control your framing.
- Practice operating the FlowPod Mini several times while recording and watch your footage. Keep practicing until you feel confident that you can obtain usable footage on a real project.



Monopod and Belt-Support Modes

Unlike any other handheld stabilizer, the FlowPod Mini can also be used in monopod mode or as a static belt-supported camera brace. These modes are extremely simple and intuitive, so we will illustrate them with operational photos.



Warranty: 2 years parts/labor – 512-219-7722