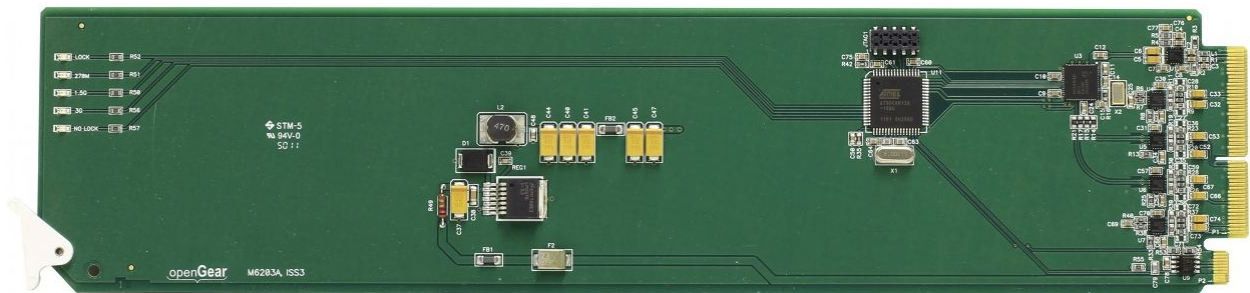


M6203A-3G

OPENGear HD/SD-SDI 3G Reclocked Distribution Amplifier

User Manual



By Ward-Beck Systems

Rev:Jan.01 2015

Ward-Beck Part Number M6203A-3G

- Document Issue: 1
- Printed in Canada

The information contained in this User Manual is subject to change without notice or obligation.

Copyright

©2015 Ward-Beck Systems Ltd. All rights reserved.

Contents of this publication may not be reproduced in any form without the written permission of Ward-Beck Systems Ltd. Reproduction or reverse engineering of copyrighted software is prohibited.

Notice

The material in this manual is furnished for informational use only. It is subject to change without notice and should not be construed as a commitment by Ward-Beck Systems Ltd. Ward-Beck Systems Ltd. assumes no responsibility or liability for errors or inaccuracies that may appear in this manual.

Trademark



is a registered trademark of Ross Video Limited.



is a registered trademark of Ward-Beck Systems Ltd.

All other product names and any registered and unregistered trademarks mentioned in this manual are used for identification purposes only and remain the exclusive property of their respective owners.

Important Regulatory and Safety Notices

Before using this product and any associated equipment, refer to the “Important Safety Instructions” listed below so as to avoid personnel injury and to prevent product damage. Products may require specific equipment, and /or installation procedures be carried out to satisfy certain regulatory compliance requirements. Notices have been included in this publication to call attention to these Specific requirements.

Symbols Meanings



This symbol on the equipment refers you to important operating and maintenance (servicing) instructions within the Product Manual Documentation. Failure to heed this information may present a major risk of damage or injury to persons or equipment.



Warning

The symbol with the word “**Warning**” within the equipment manual indicates a potentially hazardous situation, which if not avoided, could result in death or serious injury.



Caution

The symbol with the word “**Caution**” within the equipment manual indicates a potentially hazardous situation, which if not avoided, may result in minor or moderate injury. It may also be used to alert against unsafe practices.



Notice

The symbol with the word “**Notice**” within the equipment manual indicates a situation, which if not avoided, may result in major or minor equipment damage or a situation which could place the equipment in a non-compliant operating state.



ESD Susceptibility

This symbol is used to alert the user that an electrical or electronic device or assembly is susceptible to damage from an ESD event.

Important Safety Instructions



Caution

This product is intended to be a component product of the openGear 8000 series frame. Refer to the openGear 8000 series frame User Manual for important safety instructions regarding the proper installation and safe operation of the frame as well as it's component products.



Warning

Certain parts of this equipment namely the power supply area still present a safety hazard, with the power switch in the OFF position. To avoid electrical shock, disconnect all A/C power cords from the chassis' rear appliance connectors before servicing this area.



Warning

Service barriers within this product are intended to protect the operator and service personnel from hazardous voltages. For continued safety, replace all barriers after any servicing.

This product contains safety critical parts, which if incorrectly replaced may present a risk of fire or electrical shock. Components contained within the product's power supplies and power supply area, are not intended to be customer serviced and should be returned to the factory for repair.

To reduce the risk of fire, replacement fuses must be the same type and rating.

Only use attachments/accessories specified by the manufacturer.

EMC Notices

US FCC Part 15

This equipment has been tested and found to comply with the limits for a class A Digital device, pursuant to part 15 of the FCC Rules. These limits are designed to provide reasonable protection against harmful interference when the equipment is operated in a commercial environment. This equipment generates, uses, and can radiate radio frequency energy and, if not installed and used in accordance with the instruction manual, may cause harmful interference to radio communications. Operation of this equipment in a residential area is likely to cause harmful interference in which case users will be required to correct the interference at their own expense.



Notice

Changes or modifications to this equipment not expressly approved by Ward-Beck Systems Ltd. could void the user's authority to operate this equipment.

CANADA

This Class "A" digital apparatus complies with Canadian ICES-003.

Cet appareil numérique de classe "A" est conforme à la norme NMB-003 du Canada.

EUROPE

This equipment is in compliance with the essential requirements and other relevant provisions of **CE Directive 93/68/EEC**.

INTERNATIONAL

This equipment has been tested to **CISPR 22:1997** along with amendments **A1:2000** and **A2:2002** and found to comply with the limits for a Class A Digital device.



Notice

This is a Class A product. In domestic environments this product may cause radio interference in which case the user may have to take adequate measures.

Maintenance/User Serviceable Parts

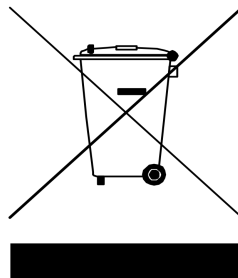
Routine maintenance to this openGear product is not required. This product contains no user serviceable parts. If the module does not appear to be working properly, please contact Technical Support using the numbers listed under the "Contact Us" section on the last page of this manual. All openGear products are covered by a generous 5-year warranty and will be repaired without charge for materials or labor within this period. See the "Warranty and Repair Policy" section in this manual for details.

Environmental Information

The equipment that you purchased required the extraction and use of natural resources for its production. It may contain hazardous substances that could impact health and the environment.

To avoid the potential release of those substances into the environment and to diminish the need for the extraction of natural resources, Ward-Beck Systems Ltd. encourages you to use the appropriate take-back systems. These systems will reuse or recycle most of the materials from your end-of-life equipment in an environmentally friendly and health conscious manner.

The crossed-out wheeled bin symbol invites you to use these systems.



If you need more information on the collection, reuse, and recycling systems, please contact your local or regional waste administration.

Introduction

Overview

The M6203A-3G is a one input eight output SD/HD/3G SDI Distribution Amplifier designed for broadcast use. It features cable equalization and reclocking techniques that enable the unit to reliably recover the incoming digital audio signal. M6203A-3G can receive and distribute digital video signals, over coaxial cable (BELDEN 8281 or equivalent). All inputs and outputs are located on the T6201A, T6301A, or T6401A rear modules. The M6203A is recommended for cable input/output up to 300 meters with standard definition (270M), 100 meters with high definition (1.5G), and 50 meters using 3G. The M6203A-3G is housed in the openGear OG3-FR-C series frames.

Functional Block Diagram

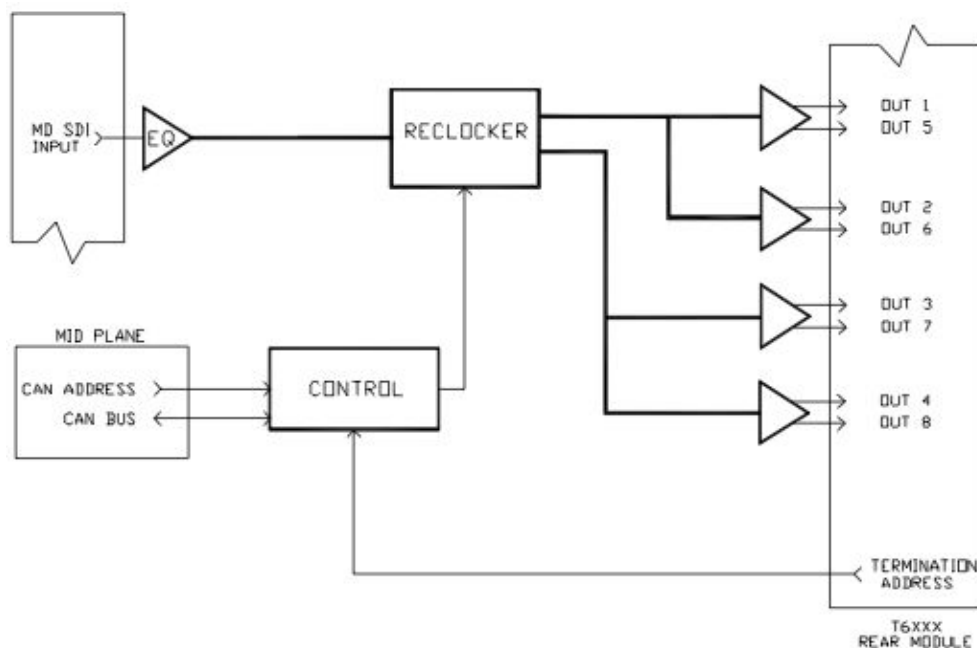


Figure 1. Simplified Block Diagram of the M6203A-3G Functions

Features

- Automatic detection of video input format
- Cable equalization and data reclocking on the incoming SD-SDI or HD-SDI or 3G-SDI signal
- Card edge LED's indicating video presence, audio presence and card status
- 5 year warranty
- Fits openGear OG3-FR-C series frames

Documentation Terms

The following terms are used throughout this guide:

- “**Frame**” refers to the **OG3-FR-C** frame that houses the **M6203A-3G** card.
- “**Operator**” and “**User**” refer to the person who uses the **M6203A**.
- “**Board**”, and “**Card**” refer to the **M6203A-3G** card itself, including all components and switches.

Installation and Setup

Static Discharge

Whenever handling the M6203A and other related equipment, please observe all static discharge precautions as described in the following note:



Static discharge can cause serious damage to sensitive semiconductor devices. Avoid handling circuit boards in high static environments such as carpeted areas, and when wearing synthetic fiber clothing. Always exercise proper grounding precautions when working on circuit boards and related equipment.

Unpacking

Unpack each M6203A you received from the shipping container, and check the contents against the packing list to ensure that all items are included. If any items are missing or damaged, contact your sales representative or Ward-Beck Systems Ltd. directly.

Rear Module Options

There are two rear module options available for the M6203A-3G HD/SD-SDI 3G Reclocked Distribution Amplifier. On the 20-slot **OG3-FR-C** frame the T6301A-3G rear module occupies two slots and provides I/O for one M6203A-3G card. For higher density applications the T6401A rear module occupies two slots and provides I/O for two M6203A-3G cards. All connections are made on BNC type 75 Ohm video connectors.

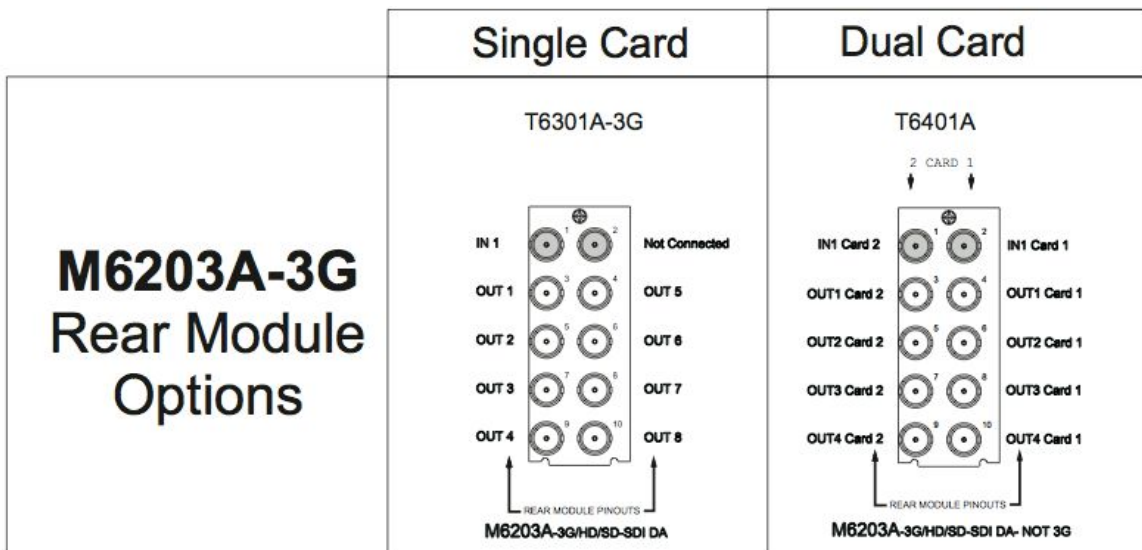


Figure 2. Rear Module

Board Installation

Use the following procedure to install the M6203A-3G in an openGear DFR-8300 Series frame.

1. Refer to the User Manual of the openGear OG3-FR-C series frame to ensure that the frame is properly installed according to instructions.
2. When using the M6203A-3G with the OG3-FR-C frame, please note that the even numbered slots are to be used. Plug the M6203A-3G modules into slots 2,4,6,8,10,12,14,16,18, and 20 for a maximum of 10 cards. Slot 1 is the left most slot as you look into the frame from the front.
3. When using the M6203A-3G for highest density (20 1 x 4 DA) any slot may be used..
4. After selecting the desired frame installation slot, hold the M6203A-3G card by the edges and carefully align the card edges with the slots in the frame. Then fully insert the card into the frame until the rear connection plugs are properly seated on the midplane and on the rear module.

This completes the procedure for installing the M6203A-3G in an openGear OG3-FR-C Series frame.

User Controls

User Control Diagram

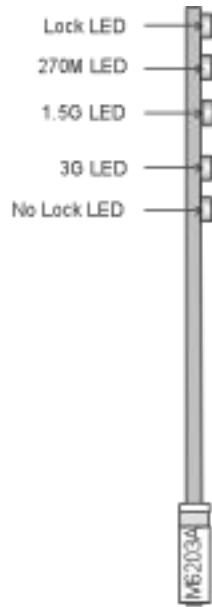


Figure 3. Card-edge User Controls

LEDs

The front-edge of the card features LEDs that display the status of the input signals.

As selections are made in the menus, (refer to the subsequent chapter for complete menu descriptions), the LEDs display the status of the input signals. Descriptions are provided in the following table:

LED	Color	Location	Display and Description
Lock	Green	Top of the card	When on there is a valid SD/HD/3G -SDI signal at the input.
270M	Green	2nd from the top	When the card is locked to a standard definition (270mb/s) SDI signal.
1.5G	Green	3rd from the top	When the card is locked to a high definition (1.5gb/s) SDI signal..
3G	Green	4th from the top	When the card is locked to a 3G (3gb/s) SDI signal.
No Lock	Red	5th from the top	When the card is not locked to a SD/HD3G SDI signal.

Table 1. Status LED Descriptions

Technical Specifications

SDI INPUT

Connector Type	BNC female
Formats	
HD-SDI	1920 x 1080: 60, 59.94, 50 Hz 1280 x 720: 60, 59.94 Hz
SD-SDI	625-270, 525-270
Impedance	75 Ohm
Max Cable Length	
SD	400M - Belden 1694A
HD	140M - Belden 1694A
3G	75M - Belden 1694A
Standard	HD-SDI as per SMPTE 292M SD-SDI as per SMPTE 259M 3G-SDI as per SMPTE 424M

GENERAL

Power Requirements	+12 V,3Watts, MAX
Dimensions	3.025" high x 12.800" deep
Weight	approx.0.145 kg (0.319 lbs)

Ward-Beck Systems Ltd. reserves the right to change performance specifications without prior notice.

Warranty and Repair Policy

The openGear M6203A is warranted to be free of any defect with respect to performance, quality, reliability, and workmanship for a period of FIVE (5) years from the date of shipment from our factory. In the event that your openGear M6203A proves to be defective in any way during this warranty period, Ward-Beck Systems Ltd. reserves the right to repair or replace this piece of equipment with a unit of equal or superior performance characteristics.

Should you find that this openGear M6203A has failed after your warranty period has expired, we will repair your defective product should suitable replacement components be available. You, the owner, will bear any labor and/or part costs incurred in the repair or refurbishment of said equipment beyond the FIVE (5) year warranty period.

In no event shall Ward-Beck Systems be liable for direct, indirect, special, incidental, or consequential damages (including loss of profits) incurred by the use of this product. Implied warranties are expressly limited to the duration of this warranty.

This openGear M6203A User Manual provides all pertinent information for the safe installation and operation of your openGear Product. Ward-Beck policy dictates that all repairs to the openGear M6203A are to be conducted only by an authorized Ward-Beck Systems factory representative. Therefore, any unauthorized attempt to repair this product, by anyone other than an authorized Ward-Beck Systems factory representative, will automatically void the warranty. Please contact Ward-Beck Technical Support for more information.

In Case of Problems

Should any problem arise with your openGear M6203A, please contact the Ward-Beck Technical Support Department. (Contact information is supplied at the end of this publication.)

A Return Material Authorization number (RMA) will be issued to you, as well as specific shipping instructions, should you wish our factory to repair your openGear M6203A. If required, a temporary replacement module will be made available at a nominal charge. Any shipping costs incurred will be the responsibility of you, the customer. All products shipped to you from Ward-Beck Systems Ltd. will be shipped collect.

The Ward-Beck Technical Support Department will continue to provide advice on any product manufactured by Ward-Beck Systems, beyond the warranty period without charge, for the life of the equipment.

WARD-BECK SYSTEMS LTD.
945 Middlefield Road, Unit 9, Toronto, Ontario M1V 5E1
V 416 335 5999 F 416 335 5202 Toll-Free 800 771 2556
Website: www.ward-beck.com
E-Mail: sales@ward-beck.com

Ordering Information

Standard Equipment

- M6203A-3G HD/SD-SDI 3G Reclocked Distribution Amplifier

Optional Equipment

- M6203AUM HD/SD-SDI 3G Reclocked Distribution Amplifier User Manual (additional User Manual)
- OG3-FR-C Digital Products Frame and Power Supply with Cooling Fans (2RU, holds up to 20 cards)
- T6301A-3G rear module for single card in OG3-FR-C
- T6401A rear module for double card in OG3-FR-C frame

Your **M6203A HD/SD-SDI 3G Reclocked Distribution Amplifier** is a part of the openGear family of products. Ward-Beck offers a full line of openGear terminal equipment including distribution, conversion, monitoring, muxing, demuxing and processing of AES/EBU and HD/SD-SDI as well as analog audio and video products.