



**WPS4HD Presentation Stations**



Shown with electrical assembly

**WPS4HDCE**  
41" H x 18<sup>1</sup>/<sub>4</sub>" W x 34<sup>1</sup>/<sub>2</sub>" D

This mobile presentation cart has four gray laminate work surfaces with a black steel frame. The adjustable second shelf can be set from 33" up to 41" high.

Locking wood laminate cabinet model inner dimensions are: 18<sup>3</sup>/<sub>4</sub>" H x 13<sup>3</sup>/<sub>4</sub>" W x 13<sup>3</sup>/<sub>4</sub>" D.

Optional 7-outlet UL approved electrical assembly with 25 ft. cord.

A set of heavy duty 4" full swivel ball bearing casters, two with locking brakes.

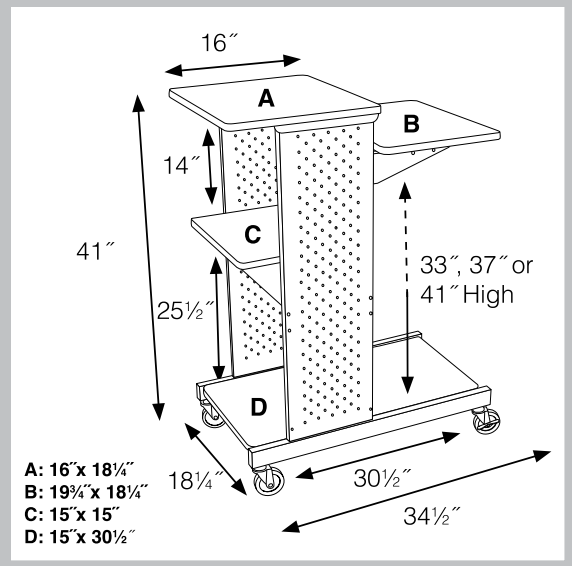


Shown with optional Side Shelf Accessory 19<sup>3</sup>/<sub>4</sub>" x 18<sup>1</sup>/<sub>4</sub>"

Shown with electrical assembly

**WPS4HDE**  
41" H x 18<sup>1</sup>/<sub>4</sub>" W x 34<sup>1</sup>/<sub>2</sub>" D

**Measurements:**





**WPS4 Presentation Stations**



Shown with electrical assembly

**WPS4E**

40" H x 18<sup>1</sup>/<sub>4</sub>" W x 34<sup>1</sup>/<sub>2</sub>" D

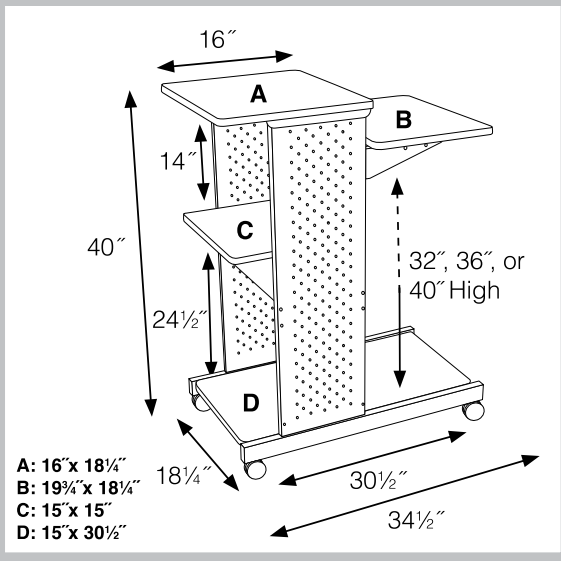
This mobile presentation cart has four gray laminate work surfaces with a black steel frame. The adjustable second shelf can be set from 32" up to 40" high.

Locking wood laminate cabinet model inner dimensions are: 18<sup>3</sup>/<sub>4</sub>" H x 13<sup>3</sup>/<sub>4</sub>" W x 13<sup>3</sup>/<sub>4</sub>" D.

Optional 3-Outlet UL approved electrical assembly with 15 ft. cord.

A set of silent roll, 3" furniture casters, two with locking brakes.

**Measurements:**



Shown with electrical assembly

**WPS4CE**

40" H x 18<sup>1</sup>/<sub>4</sub>" W x 34<sup>1</sup>/<sub>2</sub>" D