

# Tuffy Presentation Stations

*Tuffy Black Presentation Stations - 42"H x 24"W x 18"D*



**NEW Tuffy Pullout Shelf Series**

**19 5/8"W x 15 5/8"D**

Shelves are constructed with a injection molded thermoplastic resin. Will not chip, warp, rust or peel. Shelves have a 1/4" safety retaining lip and are available in 12 unique colors.

Locking steel cabinet panels fit firmly into the specially molded leg slots.

A set of silent roll, 4" full swivel ball bearing casters, two with locking brakes.

Includes a 3-outlet UL listed electrical assembly with a 15 ft. cord.

**WTPSLP42C2E-B**

Shelf Color Code:	<b>Black</b>	<b>Gray</b> GY	<b>Putty</b> OW	<b>Red</b> R	<b>Burgundy</b> BY	<b>Blue</b> BU
	<b>Yellow</b> Y	<b>Orange</b> OR	<b>Hunter Green</b> HG	<b>Green</b> G	<b>Purple</b> P	<b>Navy</b> Z



**WTPSLP42E-B**



**WTPS42C2E-B**



**WTPS42E-B**



**WT42C2E-B**

# Tuffy Presentation Stations

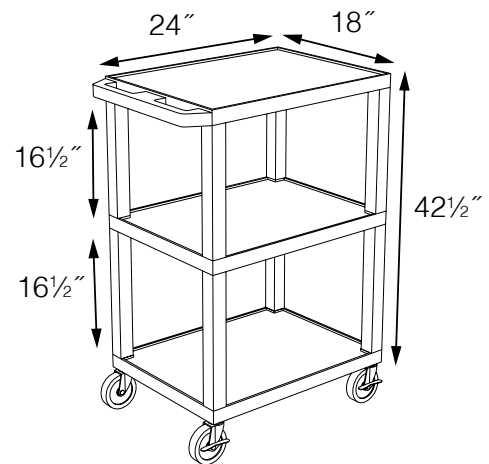
*Tuffy Black Presentation Stations - 42"H x 24"W x 18"D*



Front & Side pull-out shelves ideal for laptop, keyboards and projectors. Lockable WTD drawers great for storage and added security.

19 5/8"W x 13 5/8"D

**Measurements:**



**WTPSP42C2E-B**



**WT42E-B**



**WTPSP42E-B**



**WT42C2E-B/WTD**



**WT42E-B/WTD**

# Tuffy Presentation Stations

*Tuffy Black Presentation Stations - 34"H x 24"W x 18"D*



## NEW Tuffy Pullout Shelf Series

19 5/8"W x 15 5/8"D



**WTSP34C2E-B**

Shelves are constructed with an injection molded thermoplastic resin. Will not chip, warp, rust or peel. Shelves have a 1/4" safety retaining lip and are available in 12 unique colors.

Locking steel cabinet panels fit firmly into the specially molded leg slots.

A set of silent roll, 4" full swivel ball bearing casters, two with locking brakes.

Includes a 3-outlet UL listed electrical assembly with a 15 ft. cord.



**WT34C2E-B**



**WT34E-B**



**WT34C2E-B/WTD**



**WT34E-B/WTD**

# Tuffy Presentation Stations

**Tuffy Black Presentation Stations - 42"H x 24"W x 18"D**

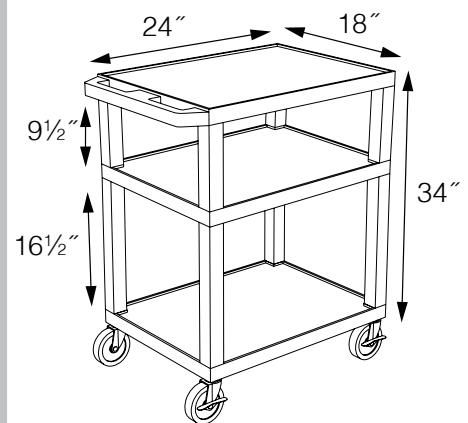


**WTPS34E-B**

Pull-out shelves ideal for laptop, keyboards and projectors. Lockable WTD drawers great for storage and added security.



**Measurements:**



**26" Tuffy Carts**

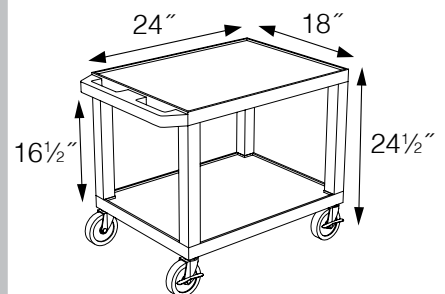


**WT26C2E-B**



**WT26E-B**

**Measurements:**



Shelf  
Color  
Code:

<b>Black</b> G	<b>Gray</b> GY	<b>Putty</b> OW	<b>Red</b> R	<b>Burgundy</b> BY	<b>Blue</b> BU
<b>Yellow</b> Y	<b>Orange</b> OR	<b>Hunter Green</b> HG	<b>Green</b> G	<b>Purple</b> P	<b>Navy</b> Z

To specify which shelf color is ordered, replace ★ in this example product number with shelf color code of choice:

**WT34★C2E-B**

**WT1642-B**

Includes 16", 26", 34" & 42" legs to make a variety of cart heights.

**WT2642-B**

Includes 26", 34" & 42" legs to make a variety of cart heights. The WT2642 also includes cabinet panels.

**16" Tuffy Carts**



**WT16E-B**