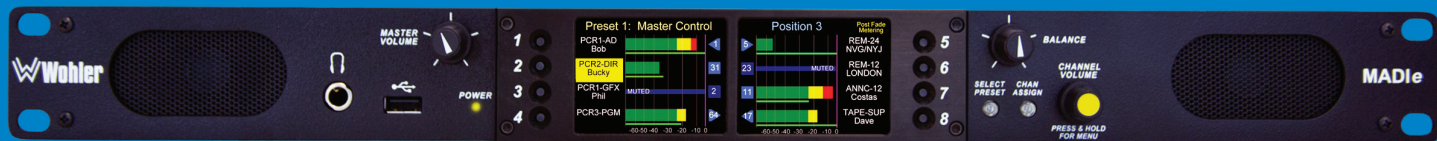


AMP1-MADle

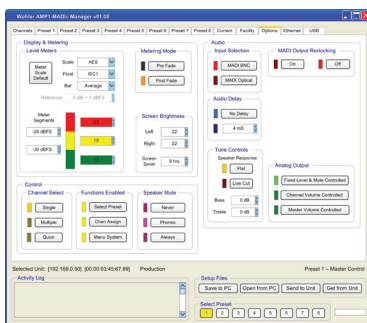
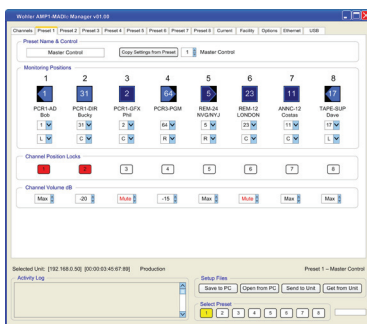
MADI Audio Monitors



Intuitive monitoring, mixing and metering of multiple MADI channels with Ethernet setup



PC Control and Configuration



Wohler has re-invented in-rack MADI monitoring and mixing with the new AMP1-MADle, specifically designed for fast-paced OB and live-to-air production environments. The AMP1-MADle provides intuitive metering and monitoring of MADI audio, with instant access to 8 stored configurations of any user-defined channel groups (8 each) for easy navigation between all 64 channels in a MADI stream. The AMP1-MADle comes equipped with BNC and multi-mode optical fiber interfaces or BNC and single mode optical fiber interfaces.

In addition to its unique capabilities as a standalone MADI audio monitor and mixer, multiple units can be controlled and configured from a single PC workstation. The AMP1-MADle supports fast configuration and use of multiple distributed units within a MADI network via an Ethernet connection with a free, downloadable software GUI. An added benefit of the AMP1-MADle is its ability to convert between optical and BNC. It's the perfect solution for any application that requires a simple, compact system for monitoring MADI-delivered audio.

Features/Benefits:

- Fast selection and summing of multiple MADI channels
- Accepts and converts MADI signals between optical and BNC I/O
- Supports transmission up to 100m on coax cable
- Supports transmission up to 2km distance with multi-mode optical fiber version
- Supports transmission up to 20km distance with single-mode optical fiber version
- Intuitive front panel operation
- Channel names can be created and displayed for each input
- Pre or Post metering options offer maximum flexibility
- Stores and retrieves presets via USB or remote PC software control
- Master volume, channel volume and balance with quick muting
- Menu access enabled or disabled via external software control
- Channel lock to prevent local reassignment of selected MADI channels
- 8 level meters with channel select/assign and preset select
- Built-in speakers, headphone jack, USB and Ethernet ports
- Stereo analog outputs plus mono mix on balanced XLRs
- Regenerated or Re-clocked optical and BNC I/O
- Built-in universal power supply
- Compact (4.25" deep) 1-RU chassis

About MADI

MADI (AES10) is an industry-standard electronic communications protocol that defines the data format and electrical characteristics of an interface carrying multiple channels of digital audio. The main advantages of MADI are that it supports a great number of channels per line, plus transmission of audio signals over 100 meters of coax and up to 2 km of optical fiber with the multi-mode model, or up to 20 km of optical fiber with the single-mode model.

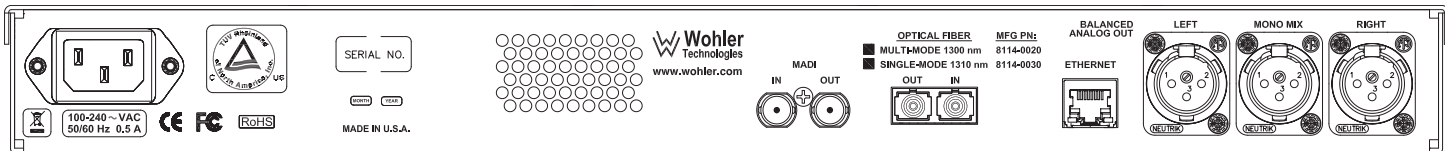
Order Part Numbers

AMP1-MADle-MM with Multi-Mode Fiber Interface: 8114-0020
AMP1-MADle-SM with Single Mode Fiber Interface: 8114-0030

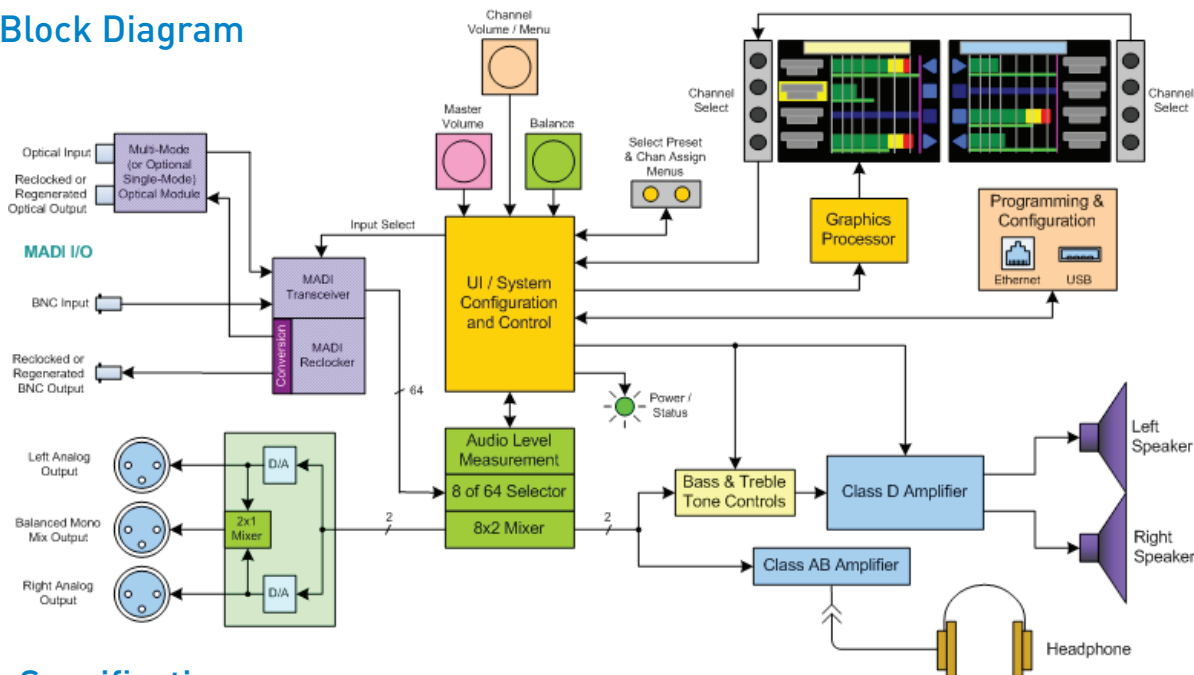
AMP1-MAD1e

MADI Audio Monitors

Rear Panel



Block Diagram



Specifications

Dimensions (W x H x D)	1RU in standard 19" rack: 19" x 1.75" x 4.75" (482.6 mm x 44.5 mm x 120.7 mm)
Shipping Weight / Net Weight	7 lbs. (3.2 kg) / 5 lbs. (2.3 kg)
Power Consumption/Requirements	60 W typical • 100 to 240 VAC ± 10%, 50/60 Hz
Inputs	1 MADI optical • 1 MADI BNC • 1 Ethernet
Outputs	<ul style="list-style-type: none"> • 1 reclocked or regenerated MADI optical • 1 reclocked or regenerated MADI BNC • 1 headphone (1/4" jack) • 3 balanced analog audio outputs (left, mono mix, and right) (XLR-M)
Display Type	Two 2.4" TFT LCD screens
Sample Rate	48 kHz
Frequency Response	150 Hz to 16 kHz (± 5 dB) acoustic, 40 Hz to 20 kHz (± 1dB) electrical
Distortion	< 2% 300 Hz to 10 kHz acoustic, <0.01% THD+N electrical
Acoustic Output	90 dB SPL @ 2 feet
Presets	8 programmable/nameable. Can be copied from unit to unit via USB or GUI software and Ethernet
Level Metering	170 segments, selectable meter scales: AES, DIN, BBC, EBU, Std VU, Ext VU, Nordic, selectable thresholds, reference, segment colors, and ballistics

View complete list of specifications online at wohler.com

Wohler Technologies, Inc.
Worldwide Headquarters
31055 Huntwood Avenue
Hayward, CA 94544 USA
Phone: +1 510 870 0810
Email: sales@wohler.com

Wohler Technologies/APAC
45/F, The Lee Gardens
33 Hysan Avenue
Causeway Bay, Hong Kong
Phone: +852 8199 0563
Email: sales@wohler.com

Wohler Technologies/EMEA
Suite 3, Medaxon House
Mill Mead, Staines
TW18 4UQ, UK
Phone: +44 (0) 2071 935507
Email: sales@wohler.com

Infinite Possibilities.



One Wohler.