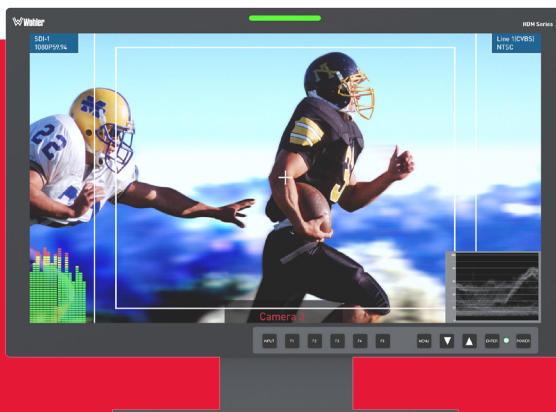


Dual Split Screen LCD Monitors

HDM-215-3G



Simultaneously monitor two display screens, each with independent controls

Model Naming Schema

HDM: High-Definition Monitors
 -215: 21.5" Diagonal
 -TT: Table Top

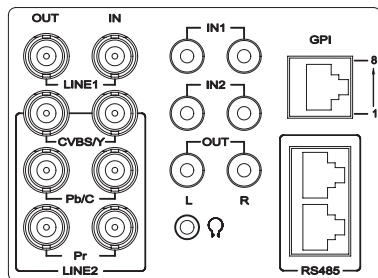
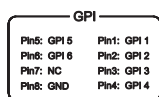
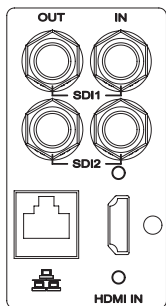
The HDM-215-3G dual split screen, LED-backlit LCD displays are high-performance professional monitors that support advanced 10-bit digital processing technology. These monitors feature 3D comb filter, de-interlace, accurate scaling engine, GAMMA correction and color temperature adjustment.

The state-of-the-art HDM-215-3G video monitors can be configured as a dual split display, a large screen with one smaller view, or as a single large display screen. They are ideally suited for use in news and transmission control rooms, program production, channel branding and any environment that requires intensive monitoring.

The HDM-215-3G accepts up to 2 channels of 3G/HD/SD-SDI, CVBS, Component signals or HDMI input. Waveform, vectorscope, and audio de-embedding are provided for SDI.

In-picture features also include metering of up to 16 channels, UMD, format display and various markers.

Rear Panel



Benefits

- Simultaneously monitor two display screens and control each image independently
- User-defined hot key functionality for either H/V delay, underscan, on-screen display, and more
- On-screen, 16-channel level metering provides audio confidence monitoring
- Tally and on-screen labeling provide quick and easy signal identification
- CRT-style image controls allow video image enhancement for each screen individually

Features

- Supports multi-format analog and digital audio signals
- Allows adjustment of the parameters for each screen
- Provides high-quality waveform or vector monitoring (for SDI)
- User-adjustable color temperatures with presets

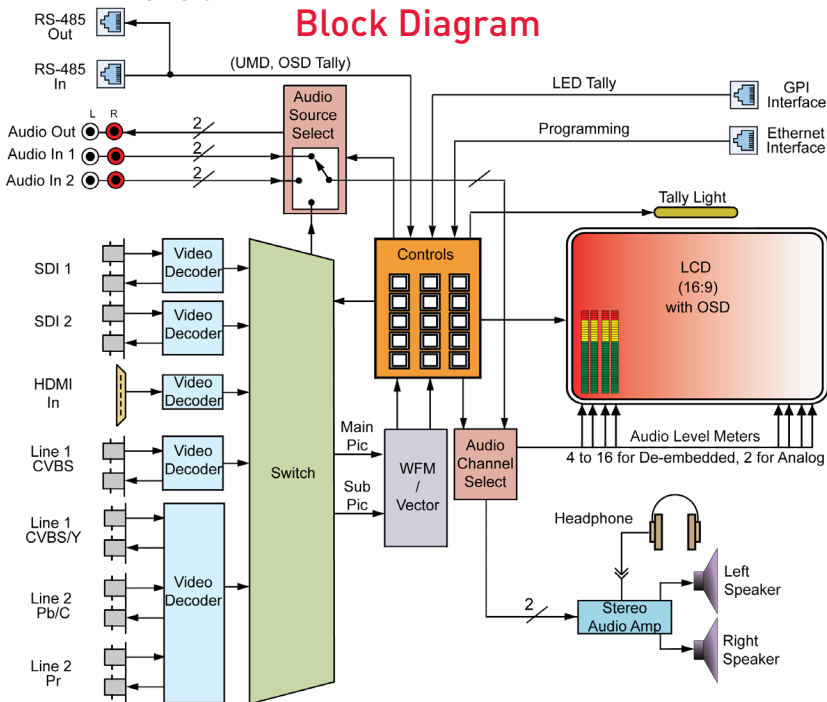


Order Part Numbers
 HDM-215-3G-TT:

8001-0500

Dual Split Screen LCD Monitors

HDM-215-3G



Inputs

- 2 3G/HD/SD-SDI
- 1 HDMI
- 1 Composite CVBS
- 1 S Video or 1 Component YPbPr
- 2 RCA Analog Audio Stereo Input Pairs

Outputs

- 2 3G/HD/SD-SDI
- 1 Composite Video Loop Through Output
- 1 CVBS/Y Loop Through Output
- 1 C/Pb Loop Through Output
- 1 Component/Pr Loop Through Output
- 1 RCA Analog Audio Stereo Output Pair
- 1 Headphone Output

Specifications

Display Type	Active color matrix amorphous TFT LCD with LED Backlight
Display Size	18.7" H x 10.6" V (475 mm H x 267 mm V)
Resolution	1920 H x 1080 V
Aspect Ratio	16:9
Viewing Angle	178° x 178°
Luminance	300 cd/m ²
Colors	10-Bit, 1.07 Billion
Contrast	600:1
Pixel Pitch (mm)	0.199 x 0.199
Input Signal Format:	<ul style="list-style-type: none"> • 3G-SDI 1080P50, 1080P60/59.94 • HD-SDI 720P24/23.97, 720P25, 720P30/29.97, 720P50, 720P60/59.94, 1080SF24/23.97, 1035i60/59.94, 1080i50, 1080i60/59.94, 1080P24/23.97, 1080P25, 1080P30/29.97 • SD-SDI 480i60/59.94, 576I50, 480P60/59.94, 576P50 • Analog Composite PAL, NTSC • HDMI Only 1920x1200, 1920x1080, 1680x1050, 1600x1200, 1400x1050, 1440x900, 1360x768, 1280x1024, 1024x768, 800x600, and 640x480
Audio	2 to 16 OSD meters, 16 channels SDI, 2 pairs analog. Select any embedded or analog pair to send to the speakers, headphones, and line out per menu for each video input.
Space Requirements	9RU with Rack*
Accessories	AC power adapter, Adjustable desktop stand included. Rack adapters optional. * For rack adapters, consult factory. VESA-100 mount provides a variety of mounting options.
Power Connector	AC power adapter (100-240VAC to 12 VDC)
Power Requirements	AC power adapter connects to mains power (100 to 240 VAC ± 10%, 50/60Hz)
Power Consumption	60W
Dimensions (W x H x D)	20.3" x 12.6" x 4.5" (515 mm x 320 mm x 114mm)
Shipping Weight/ Net Weight	16 lbs. (7.3 kg)/13 lbs (5.9 kg)

[View complete list of specifications online at wohler.com](http://www.wohler.com)

Wohler Technologies, Inc.
Worldwide Headquarters
31055 Huntwood Avenue
Hayward, CA 94544 USA
Phone: +1 510 870 0810
Fax: +1 510 870 0811
Email: sales@wohler.com

Wohler Technologies/APAC
45/F, The Lee Gardens
33 Hysan Avenue
Causeway Bay, Hong Kong
Phone: +852 3180 2240
Fax: +852 3180 2299
Email: salesasia@wohler.com

Wohler Technologies/EMEA
Suite 3
Medaxon House
Mill Mead, Staines TW18 4UQ, UK
Phone: +44 (0) 1784 779815
Email: salesEMEA@wohler.com
PART NUMBER 830122 REVISION B