

RDM-173-3G

17" Flip-up HD Video Monitor



Space saving slide-out
17" HD video monitor
w/ built-in speakers,
waveform and
vectorscope display

The RDM-173-3G is a 17" 1RU slide-out rackmount video monitor perfect for space critical environments like AV conference, EFP fly pack, ENG and compact OB production environments.

The RDM-173-3G supports all formats of 3G/HD/SD-SDI, HDMI, DVI, composite, Y/C & component video. The 17" HD IPS 1920 x 1080 display provides superb imaging video quality, and viewing angles of 160°H X 140°V.

In-monitor display features including waveform, vectorscope, IMD, Tally, timecode, level metering, format display, and area/ title safe. The RDM-173-3G also provides a host of audio tools including 16-channels of level metering and built-in speaker monitoring of its stereo analog inputs or SDI embedded audio.

Features/Benefits:

- 1RU space saving 17" video monitor
- Monitor 3G/HD/SD-SDI/HDMI/DVI/composite/Y/C/component sources
- On-screen 16-channel level meter display
- Waveform and vectorscope display
- 160°H x 140°V viewing angle
- Dual display modes: Picture-in-picture (PIP) and picture-by-picture (PBP)
- Intuitive front panel user buttons
- Easy to use configuration menus
- Supports TC Code, H/V delay, native, blue only/mono
- Tri-color tally



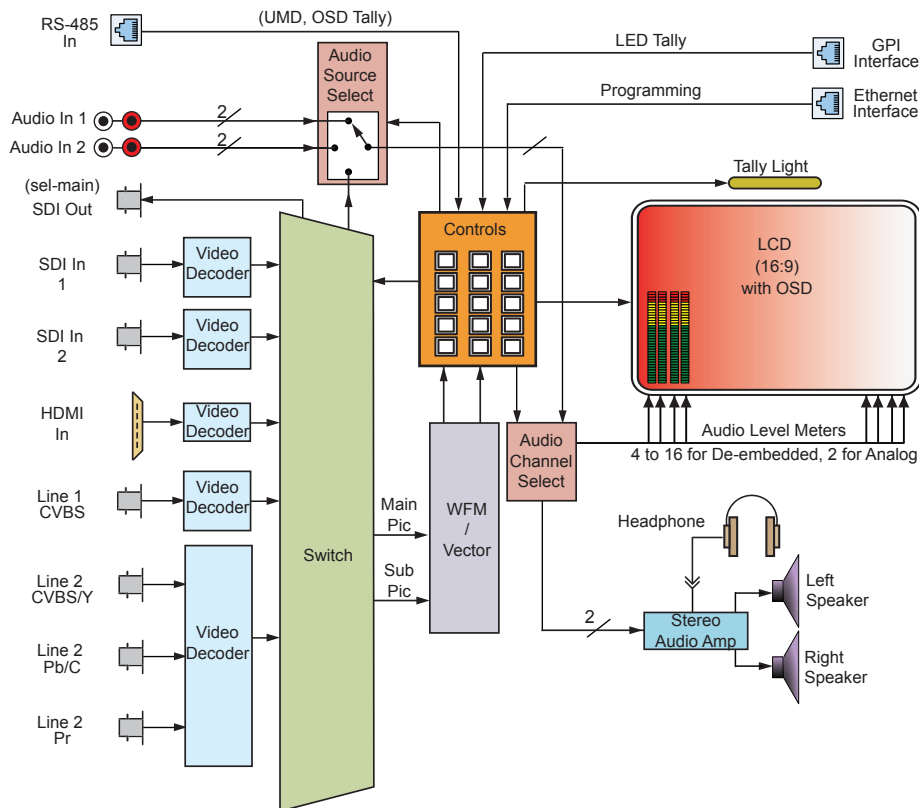
Order Part Numbers

RDM-173-3G: 8001-0410

RDM-173-3G

17" Flip-up HD Video Monitor

Block Diagram



Inputs

- 2 3G/HD/SD-SDI
- 1 HDMI compatible
- 1 Composite CVBS
- 1 Component YPbPr
- 1 RCA Analog Audio Stereo Input Pair

Specifications

Dimensions in viewing position (H x W x D)	11" H (7RU) x 16.3" W x 1.5" D (280 mm H x 415 mm W x 38 mm D)
Dimensions in closed position (H x W x D)	1.75" H (1RU) x 19" W x 18"-21" D (44 mm H x 483 mm W x 457 mm - 533 mm D)
Shipping Weight	22 lbs (10 kg)
Space Requirements	1RU closed, 7RU opened
Accessories Included	AC power cord, external AC/DC power adapter
Power Connector	DC 12V/0.5A
Power Requirements	Power to the unit connects to mains power (100 to 240 VAC ± 10%, 50/60Hz)
Power Consumption	60W
Display Type	Active color matrix amorphous 17.3", LCD TFT screen
Display Size	17.3" Diagonal
Resolution	1920 H x 1080 V
Aspect Ratio	4:3/16:9 native
Viewing Angle	160°H x 140°V
Luminance	300 cd/m ²
Colors	6-bit, 262k
Contrast	600:1

Wohler Technologies, Inc.
Worldwide Headquarters
31055 Huntwood Avenue
Hayward, CA 94544 USA
Phone: +1 510 870 0810
Email: sales@wohler.com

Wohler Technologies/APAC
45/F, The Lee Gardens
33 Hysan Avenue
Causeway Bay, Hong Kong
Phone: +852 8199 0563
Email: sales@wohler.com

Wohler Technologies/EMEA
Suite 3, Medaxon House
Mill Mead, Staines
TW18 4UQ, UK
Phone: +44 (0) 2071 935507
Email: sales@wohler.com

Infinite Possibilities.



One Wohler.