

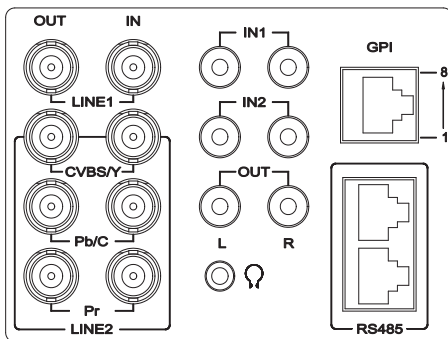
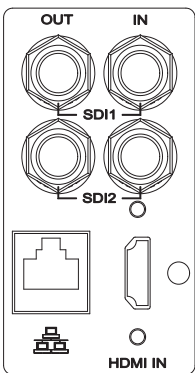
RMT-173

17" Dual Input SDI Video Monitor



Cost effective
17" Multi-format
video monitor with
in-screen audio level
meters, Waveform,
and Vectorscope display

Rear Panel



The RMT-173 is designed for a wide range of applications where format flexibility and form factor are key. This monitor is excellent for studio, MCR, Edit suites, ENG & OB production environments. The RMT-173 supports 3G/HD/SD-SDI, HDMI, DVI, composite, Y/C & component video inputs. Featuring a 8-bit 1920 x 1080 TFT/LCD screen and 10-bit image processing, a perfect medium is reached in the scaling and interpolation process, providing superb imaging regardless of video format.

The state-of-the-art RMT-173 video monitors can be configured as a dual split display, a large screen with one smaller view, or as a single large display screen. They are ideally suited for use in news and transmission control rooms, program production, channel branding and any environment that requires intensive monitoring. This light and nimble monitor comes with a plethora of in-monitor display features including IMD, Tally, timecode, in-screen audio level metering, format display, and area/title safe markers.

The RMT-173 also provides a host of audio tools including 16-channel level metering and built-in speaker monitoring of its dual stereo analog inputs or SDI embedded audio. Stand or rack-mount configurations are available.

Features/Benefits:

- Full-HD resolution 1920 x 1080 display
- Multi-format 3G/HD/SD-SDI, HDMI, DVI, composite, Y/C and component video inputs
- Waveform and Vectorscope display
- Tally and on-screen labeling provide quick signal identification
- Classic CRT-style image controls allow video image enhancements
- In-picture audio level metering
- Safe area and title markers
- Gamma color calibration
- Headphone and speaker outputs
- User-defined function buttons
- Intuitive on-screen user menus



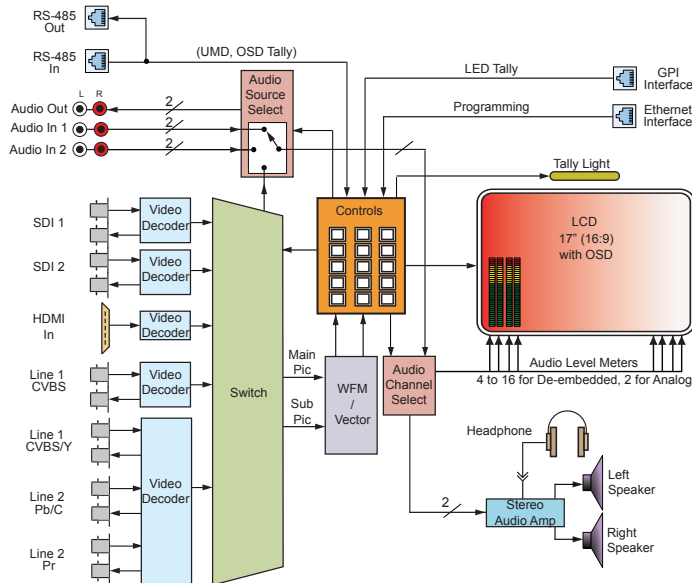
Order Part Numbers

RMT-173-TT: 8001-0371 (Table Stand included)
RMT-173-RM: 8001-0370 (Rack-Mount included)

RMT-173

17" Dual Input SDI Video Monitor

Block Diagram



Inputs

- 2 3G/HD/SD-SDI
- 1 HDMI
- 2 Composite CVBS
- 1 S Video or 1 Component YPbPr
- 2 RCA Analog Audio Stereo Input Pairs

Outputs

- 2 3G/HD/SD-SDI
- 2 Composite Video Loop Through Output
- 1 CVBS/Y Loop Through Output
- 1 C/Pb Loop Through Output
- 1 Component/Pr Loop Through Output
- 1 RCA Analog Audio Stereo Output Pair
- 1 Headphone Output

Specifications [View complete list of specifications online at wohler.com](http://www.wohler.com)

Display Type	Active color matrix amorphous TFT LCD with LED Backlight
Display Size	17.3" Diagonal
Resolution	1920 x 1080
Aspect Ratio	16:9
Viewing Angle	160° H x 140° V
Luminance	300 cd/m ²
Colors	8-Bit, 16.7 million
Contrast	600:1
Dot Pitch (RGB)	0.191 mm x 0.191 mm
Input Signal Format:	<ul style="list-style-type: none"> • 3G-SDI • HD-SDI • SD-SDI • Analog Composite • HDMI
Audio	2 to 16 OSD meters, 16 channels SDI, 2 pairs analog. Select any embedded or analog pair to send to the speakers, headphones, and line out per menu for each video input.
Space Requirements	6RU with Rack Kit in a standard 19" rack
Accessories Included	AC power adapter, Adjustable desktop stand or rack adapter specify -TT or -RM. * VESA-100 mount provides a variety of mounting options.
Power Connector	AC power adapter (100-240VAC to 12 VDC)
Power Requirements	AC power adapter connects to mains power (100 to 240 VAC ± 10%, 50/60Hz)
Power Consumption	60W
Dimensions (WxHxD)	16.5" W x 12.1" H x 2.8" D (420 mm x 308 mm x 71.8 mm)
Shipping Weight	13 lbs. (5.9 kg)/10 lbs. (4.5 kg)

Wohler Technologies, Inc.
Worldwide Headquarters
31055 Huntwood Avenue
Hayward, CA 94544 USA
Phone: +1 510 870 0810
Email: sales@wohler.com

Wohler Technologies/APAC
45/F, The Lee Gardens
33 Hysan Avenue
Causeway Bay, Hong Kong
Phone: +852 8199 0563
Email: sales@wohler.com

Wohler Technologies/EMEA
Suite 3, Medaxon House
Mill Mead, Staines
TW18 4UQ, UK
Phone: +44 (0) 207 1935507
Email: sales@wohler.com

Infinite Possibilities.



One Wohler.