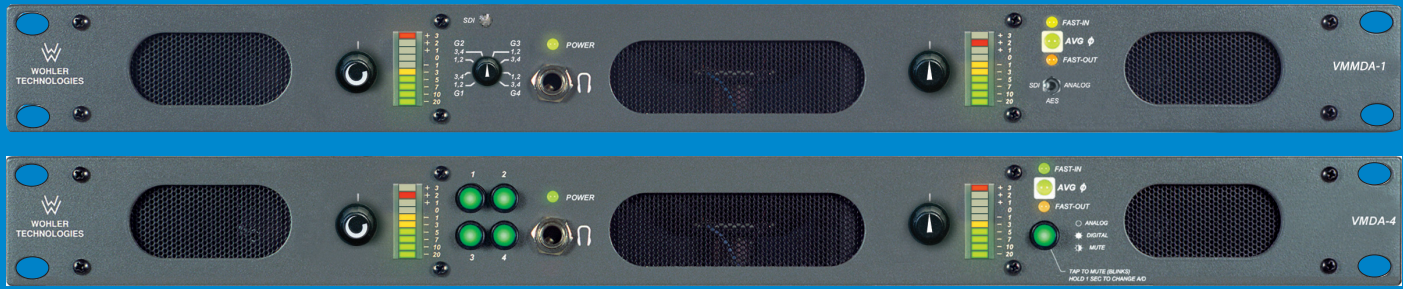


2-Channel Audio Monitors

VMMDA-1 and VMDA-4



VMMDA-1
2-channel HD/SD-SDI,
AES and analog monitor
with metering and SDI
sub-group selector.

VMDA-4
2-channel AES and
8-channel analog audio
monitor with metering
that either selects 1 of 4
AES or analog pairs, or
sums any of the 4 analog
pairs



The VM Series, from our line of "confidence plus" audio monitors are very compact and light, digital and analog audio monitors at very cost effective prices. The single-rack space monitors offer excellent fullrange fidelity far exceeding that of competitive units. Two front-firing midrange tweeter speakers and a compact high-performance woofer are arranged in Wohler Technologies' popular bi-amp design. All Wohler speaker systems are protected against blowout by limiters. The summed bass feature is important for audible detection of "out of phase" conditions.

Electronic rather than acoustic cancellation of bass frequencies provides positive audible detection of out-of-phase (reversed polarity) audio feeds. The units feature 2 ten-segment VU LED bar graph level meters. Fast and averaging "phase" LEDs give visual alert of "out of phase" conditions. A three-way toggle switch selects between the analog or digital inputs. Muting may also be activated from a switch remote from the rear panel (optional extra). An auxiliary analog output of the selected analog or digital source is provided on the rear panel.

The VM Series monitors are completely magnetically shielded to allow interference-free operation immediately adjacent to all CRT video monitors. The light weight and shallow depth chassis compared to similar type units, make them ideal for use in portable and mobile vehicle applications.

Features

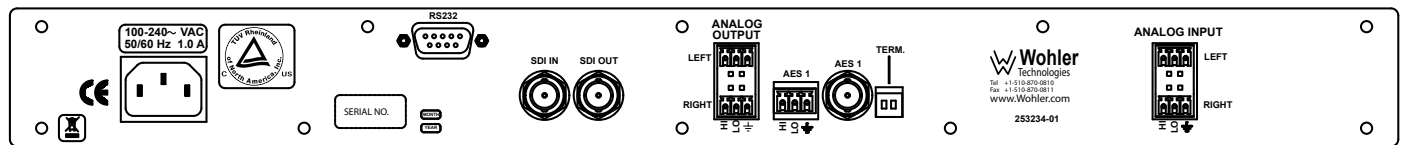
- Only 1RU
- Powerful 96dB SPL at 2 feet (0.6m)
- 2 10-segment VU level meters
- Phase /polarity indication
- Converts 110 Ω balanced AES (Phoenix) to/from 75 Ω unbalanced AES (BNC)
- Headphone jack mutes speakers
- Blowout-proof speakers

Benefits

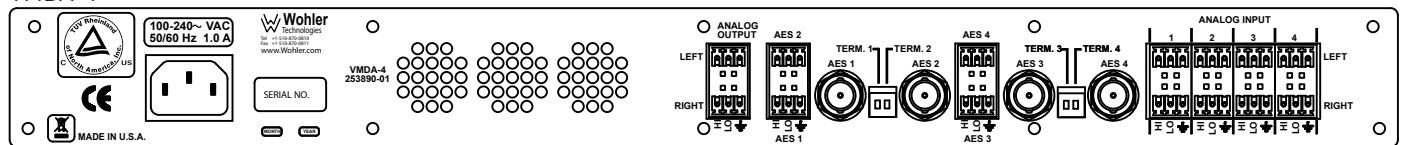
- Thorough magnetic shielding allows placement next to video monitors.
- Select from analog or digital sources.

Rear Panels

VMMDA-1



VMDA-4



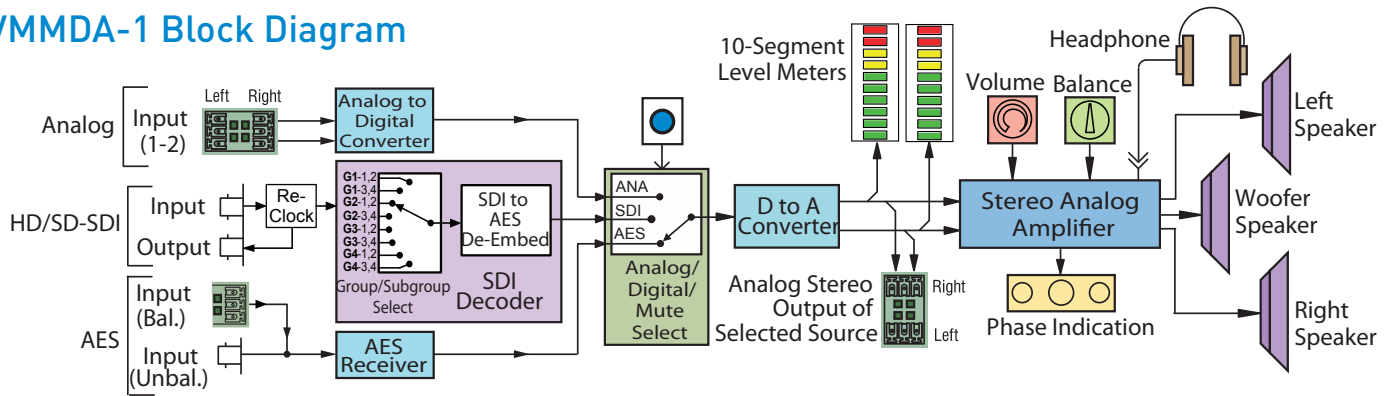
Order Part Numbers

VMMDA-4: 8113-0050 (Analog, AES/EBU, HD/SD-SDI)
VMDA-1: 8111-0040 (Analog, AES/EBU)

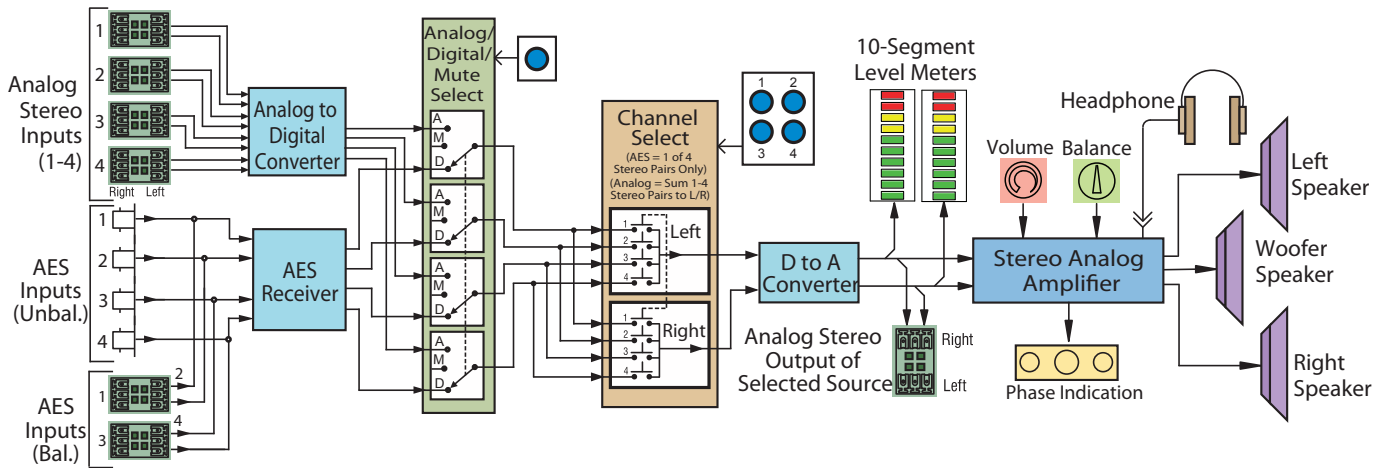
2-Channel Audio Monitors

VMMDA-1 and VMDA-4

VMMDA-1 Block Diagram



VMDA-4 Block Diagram



Specifications

	VMMDA-1	VMDA-4
Dimensions (H x W x D)	1RU in standard 19" rack: 1.75" x 19" x 10" (44.5 mm x 483 mm x 254 mm)	1RU in standard 19" rack: 1.75" x 19" x 9.0" (44.5 mm x 483 mm x 246 mm)
Shipping Weight / Net Weight	13 lbs (5.90 kg)	10 lbs (4.50 kg)
Power Requirements	Power to the unit is 100 to 240 VAC ± 10%, 50/60Hz.	
Supplied Accessories	AC power cord	
Inputs	2 balanced analog: (mini Phoenix) 1 AES: (mini Phoenix/BNC) 1 SD/HD-SDI (BNC)	8 balanced analog (mini Phoenix) 4 AES (mini Phoenix/BNC)
Outputs	2 selected analog (mini Phoenix) 1 re-clocked SDI (BNC)	2 selected analog (mini Phoenix)
Analog Input Impedance	>100k W balanced	
AES Input Impedance	AES 75 W Unbalanced and 110 W Balanced	
Digital Input Sampling Rate	32 to 48 kHz, auto-sensing	
Hum and Noise	Better than -70 dB below full output	
Electrical Distortion	Less than 0.3% at any level below limiting threshold	
Acoustic Distortion	Typically < 2% at any level below limiting, 100 Hz-15 KHz	

[View the complete list of specifications online at wohler.com](http://www.wohler.com)

Wohler Technologies, Inc.
Worldwide Headquarters
31055 Huntwood Avenue
Hayward, CA 94544 USA
Phone: +1 510 870 0810
Email: sales@wohler.com

Wohler Technologies/APAC
45/F, The Lee Gardens
33 Hysan Avenue
Causeway Bay, Hong Kong
Phone: +852 3180 2240
Email: sales@wohler.com

Wohler Technologies/EMEA
Suite 3, Medaxon House
Mill Mead, Staines
TW18 4UQ, UK
Phone: +44 (0) 1784 779815
Email: sales@wohler.com

Infinite Possibilities.



One Wohler.

Part Number 830037, Revision B