

EV2Grip Handles HB135-GC

Rubberized Grip Handles 135mm Core w/15RDA

Quickstart Guide



What's included

- 2 - ELE-15RDA
- 2 - ELE-GC

Checked by

CONDITIONS OF WARRANTY SERVICE

- Free service for one year from the day of purchase if the problem is caused by manufacturing errors.
- The components and maintenance service fee will be charged if the warranty period has expired.

Free Service will not be Provided in the Following Situations: (* Even if the product is still within the warranty period.)

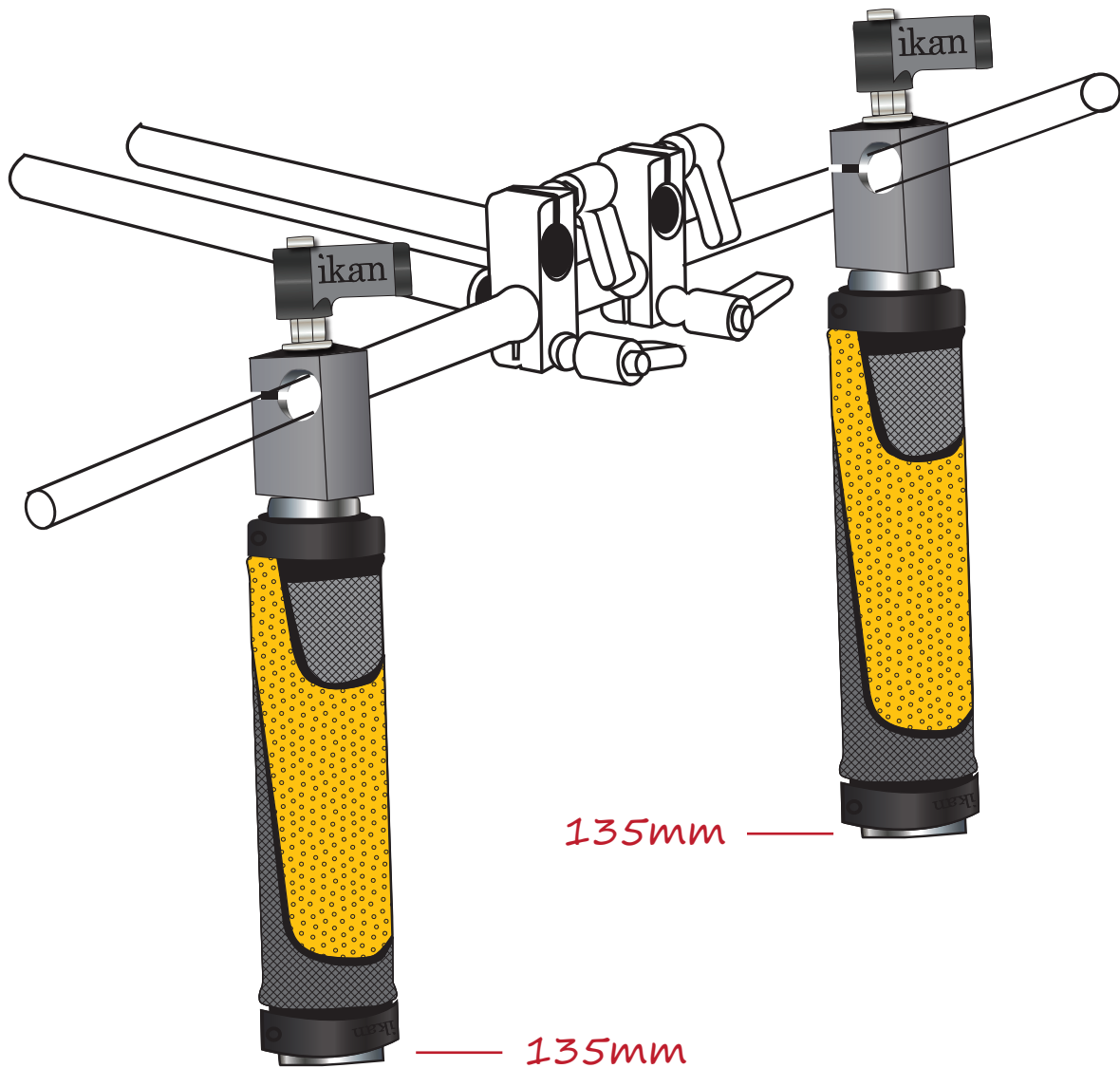
- Damage caused by abuse or misuse, dismantling, or changes to the product not made by the company.
- Damage caused by natural disaster, abnormal voltage, and environmental factors etc.

EV2Grip Handles HB135-GC

Rubberized Grip Handles 135mm Core w/15RDA

Quickstart Guide

The ikan rubberized grip handles has a 135mm size solid metal cores that is flush to the handle. It also comes with the 15RDA ELEMENT piece already attached and a spring loaded ratcheting thumb screw(s). Simply slide the handle onto a 15mm size rod and tighten the thumb screw. If your handle is put in a position to where you cannot loosen or tighten the thumb screw, pull up the thumb screw and adjust.



ikan

www.ikancorp.com

713-272-8822