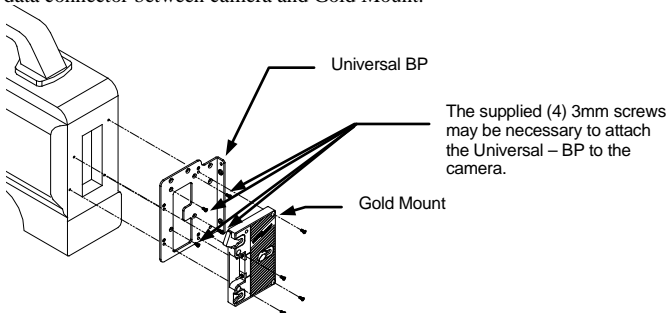


1. Remove the four (4) Screws from the face of the Gold Mount®. This will loosen the Gold Mount from the rear of the camera/recorder.
2. Disconnect the power and any data connector between camera and Gold Mount.



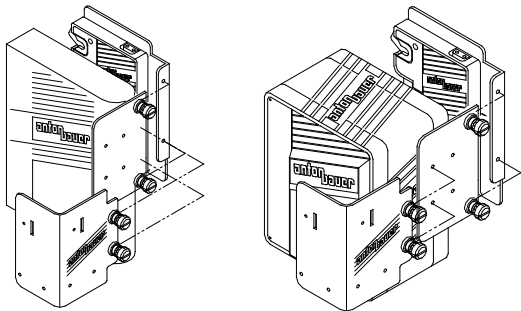
3. Position the Universal BP in-between the rear of the camera/recorder and the Gold Mount.
  - 3a: It may be necessary to use the four (4) 3mm silver screws provided to attach the back plate to the camera first.
4. Reconnect power and any data connectors.
5. Replace Gold Mount and secure with four (4) screws from step #1 or with longer screws provided if necessary (**DO NOT OVER-TIGHTEN**).
  - 5a: The four (4) black flat head screws provided are 6/32 x 3/4 and are for use with the JVC 200/250 Cameras.

## Available Separately

### ABWMK-KIT

#### Universal Mounting Plate for Wireless Receivers

- Allows user to use the same Wireless Receiver Plate for ALL Anton/Bauer Batteries.
- Allows a Receiver to be mounted on either the side of the Battery, behind the Battery, or both.
- Will accommodate WRB-185 and WRB-200 Wireless Receiver Compartments.



### WRB-185, WRB-200, and WRB-201 For Lectrosonics Style Receivers

- Attaches directly to any Anton/Bauer Wireless Receiver Plate.
- Able to “Piggy-Back” multiple Compartments.

WRB-185: Fits CR-175, CR-185, CR-187 and UCR-190 style Receivers

WRB-200: Fits UCR-195, UCR-195D, UCR-200D, UCR-205D, and UCR-210D style Receivers

WRB-201: Fits UCR-201

