

EDID LEARNER/EMULATORS

USER MANUAL

Package Contents

EDID-L-V

- EDID-L x 1
- VGA-E x 1
- User manual x 1
- DC5V to USB power cord x 1

EDID-L-D

- EDID-L x 1
- DVI-E x 1
- User manual x 1
- DC5V to USB power cord x 1

EDID-L-H

- EDID-L x 1
- DVI-E x 1
- User manual x 1
- DC5V to USB power cord x 1

Features

- Learn the EDID from desired monitor to solve EDID issues in the system
- Store the desired EDID information in VGA-E, DVI-E or HDMI-E, passive EDID emulators.
- VGA-E, DVI-E, HDMI-E will only store the last set of EDID learned

EDID Learner

EDID-L



PASSIVE EDID EMULATORS



DB15 ADAPTORS



HDMI 4K ADAPTER (Optional, needed for some 4K monitors)



Learning VGA EDID

1. Connect the EDID-L's DB15 I/O to monitor's VGA port to learn the EDID (Blue LED will flash for 1-2 seconds)
2. Connect EDID-L's DB15 I/O to the VGA-E Emulator to store the EDID information to the emulator. (RED LED will flash for 1-2 seconds)

Learning DVI EDID

1. Connect the EDID-L's DB15 I/O to the DB15-DVI adapter first (see figure 1), then connect the monitor's DVI port to learn the EDID (Blue LED will flash for 1-2 seconds)
2. Connect EDID-L's with the DB15-DVI adapter to the DVI-E Emulator to store the EDID information to the emulator. (RED LED will flash for 1-2 seconds)



Figure 1: Connecting the DB15 I/O to DB15-DVI adapter

Learning HDMI EDID

1. Connect the EDID-L's DB15 I/O to the DB15-HDMI adapter first (see figure 1), then connect the monitor's DVI port to learn the EDID (Blue LED will flash for 1-2 seconds)

2. Connect EDID-L's with the DB15-DVI adapter to the DVI-E Emulator to store the EDID information to the emulator. (RED LED will flash for 1-2 seconds)



Figure 2: Connecting the DB15 I/O to DB15-HDMI

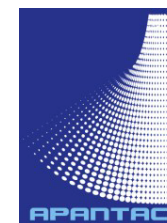
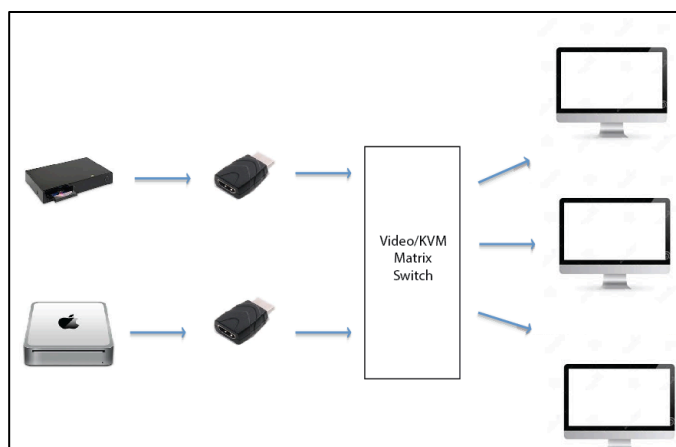
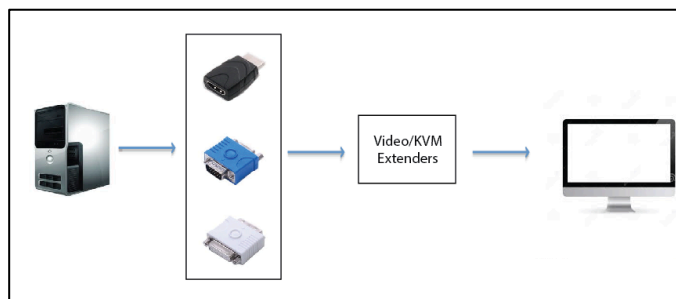
Default Factory EDID

VGA-E	DVI-E	HDMI-E
640x480@60Hz	640x480@60Hz	640x480P@60Hz
640x480@67Hz	640x480@67Hz	640x480P@67Hz
640x480@72Hz	720x400@70Hz	640x480P@72Hz
640x480@75Hz	800x600@60Hz	640x480P@75Hz
720x400@70Hz	800x600@75Hz	720x400P@70Hz
800x600@56Hz	800x600@85Hz	720x480i@60Hz
800x600@60Hz	832x624@75Hz	720x480P@60Hz
800x600@72Hz	1024x768@60Hz	720x576i@50Hz
800x600@75Hz	1024x768@75Hz	720x576P@50Hz
832x624@75Hz	1024x768@85Hz	800x600P@56Hz
1024x768@60Hz	1152x720@60Hz	800x600P@60Hz
1024x768@70Hz	1152x870@75Hz	800x600P@72Hz
1024x768@75Hz	1280x800@60Hz	800x600P@75Hz
1152x864@75Hz	1280x960@60Hz	800x624P@75Hz
1152x870@75Hz	1280x1024@60Hz	1024x768P@60Hz
1280x720@60Hz	1280x1024@75Hz	1024x768P@70Hz
1280x960@60Hz	1280x1024@85Hz	1024x768P@75Hz
1280x1024@60Hz	1440x900@60Hz	1152x864P@75Hz
1280x1024@75Hz	1440x900@75Hz	1152x870P@75Hz
1440x900@60Hz	1680x1050@60Hz	1280x720P@50Hz
1600x1200@60Hz		1280x720P@60Hz
1680x1050@60Hz		1280x960P@60Hz
1920x1080@60Hz		1280x1024P@60Hz
		1280x1024P@75Hz
		1440x900P@60Hz
		1440x1050@60Hz
		1600x1200P@60Hz
		1680x1050P@60Hz
		1920x1080P@24Hz
		1920x1080P@30Hz
		1920x1080i@50Hz
		1920x1080i@60Hz
		1920x1080P@60Hz

Specifications

Part #	EDID-L	VGA-E	DVI-E	HDMI-E
Descriptions	EDID Learner	VGA EDID Emulator	DVI EDID Emulator	HDMI EDID Emulator
Interfaces	DB15	VGA (DB15)	DVI	HDMI
Input	DB15 (Female)	DB15 (Male)	DVI-D (Male)	HDMI (Male)
Output	DB15 (Female)	DB15 (Female)	DVI-I (Female)	HDMI (Female)
LED	Red / Blue	N/A	N/A	N/A
Power	DC5V 2A	N/A	N/A	N/A
Size	70x37x24 mm	35x33x15 mm	35x37x13 mm	35x12x12 mm

Installation Examples



© 2014 APANTAC LLC, All rights reserved
 7556 SW BRIDGEPORT ROAD
 PORTLAND, OR 97224, USA
 PHONE +1 503 968 3000, FAX +1 503 389 7921

The content of this document are provided in connection with Apantac LLC ("Apantac") products. Apantac makes no representation or warranties with respect to the accuracy or completeness of the contents of this publication and reserves the right to make changes to specifications and product descriptions at any time without notice