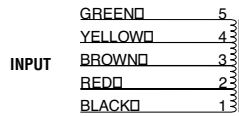
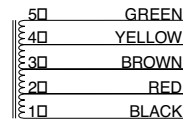


# AF140

## Connection Tables for Auto Transformer

**POWER RATING: 140 WATTS**
**FREQUENCY RESPONSE:  $\pm 1$ dB – 30Hz – 15kHz**
**INSERTION LOSS: .3dB**
**STEP UP**

**MODEL AF140**
**OUTPUT**
**STEP UP**

**MODEL AF140**
**OUTPUT**
**EXAMPLE: USING V RATIO**

70.7V connected to input (1 & 3)  
 Load connected to output (1 & 5)  
 Multiply 70.7V x V Ratio of taps 1 & 3  
 70.7V x 2 = 140V  
 This will allow a 70.7V line to be stepped up to 140 volts

**EXAMPLE: USING Z RATIO**

8 $\Omega$  connected to input (1 & 3)  
 Load connected to output (1 & 5)  
 Multiply 8 $\Omega$  x Z Ratio of taps 1 & 3  
 This will allow a 32 $\Omega$  load to be connected to an 8 $\Omega$  amplifier output

INPUT TAPS	OUTPUT TAPS	TURNS RATIO	VOLTAGE RATIO	IMPEDANCE RATIO
1 & 2	1 & 3	1:1.25	1.25	1.56
1 & 2	1 & 4	1:1.88	1.88	3.51
1 & 2	1 & 5	1:2.50	2.50	6.25
1 & 3	1 & 4	1:1.15	1.5	2.25
1 & 3	1 & 5	1:2.0	2.0	4.00
1 & 4	1 & 5	1:1.33	1.33	1.8

**EXAMPLE: USING V RATIO**

70.7V connected to input (1 & 5)  
 Load connected to output (1 & 3)  
 Multiply 70.7V x V Ratio of taps 1 & 3  
 70.7V x .5 = 35V  
 This will allow a 70.7V line to be stepped up to 35 volts

**EXAMPLE: USING Z RATIO**

8 $\Omega$  connected to input (1 & 5) i.e. amp output  
 Load connected to output (1 & 3)  
 Multiply 8 $\Omega$  x Z Ratio of taps 1 & 3  
 This will allow a 2 $\Omega$  load to be connected to an 8 $\Omega$  amplifier output

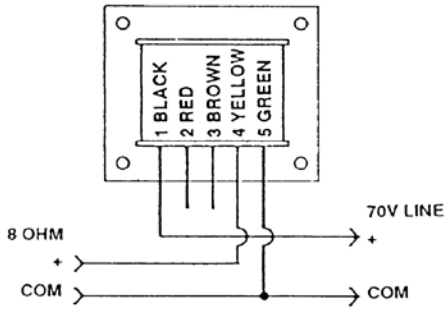
INPUT TAPS	OUTPUT TAPS	TURNS RATIO	VOLTAGE RATIO	IMPEDANCE RATIO
1 & 5	1 & 2	2.5:1	.40	.16
1 & 5	1 & 3	2.0:1	.50	.25
1 & 5	1 & 4	1.33:1	.75	.56
1 & 4	1 & 2	1.87:1	.53	.28
1 & 4	1 & 3	1.50:1	.67	.45
1 & 3	1 & 2	1.25:1	.80	.64
2 & 4	3 & 4	1.40:1	.71	.51
2 & 4	2 & 3	3.50:1	.29	.08

INPUT TAPS	OUTPUT TAPS	TURNS RATIO	VOLTAGE RATIO	IMPEDANCE RATIO
1 & 2	1 & 3	1:1.25	1.25	1.56
1 & 2	1 & 4	1:1.88	1.88	3.51
1 & 2	1 & 5	1:2.50	2.50	6.25
1 & 3	1 & 4	1:1.15	1.5	2.25
1 & 3	1 & 5	1:2.0	2.0	4.00
1 & 4	1 & 5	1:1.33	1.33	1.8

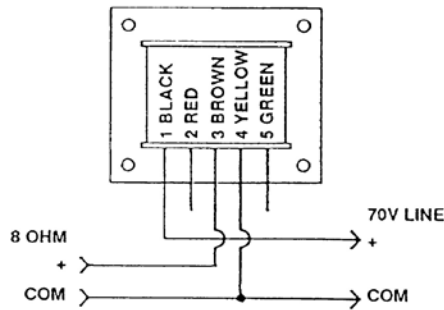
INPUT TAPS	OUTPUT TAPS	TURNS RATIO	VOLTAGE RATIO	IMPEDANCE RATIO
1 & 2	1 & 3	1:1.25	1.25	1.56
1 & 2	1 & 4	1:1.88	1.88	3.51
1 & 2	1 & 5	1:2.50	2.50	6.25
1 & 3	1 & 4	1:1.15	1.5	2.25
1 & 3	1 & 5	1:2.0	2.0	4.00
1 & 4	1 & 5	1:1.33	1.33	1.8

# AF140

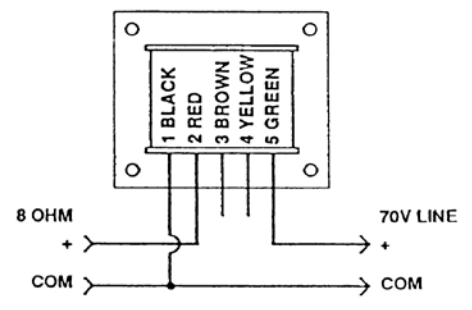
## Connection Tables for Auto Transformer



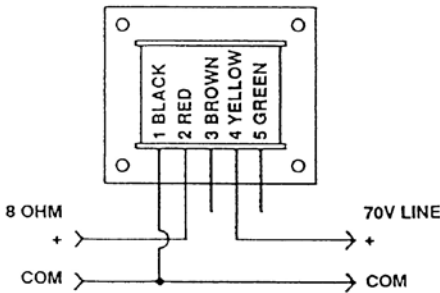
Amplifier Rating:  
30-45 Watts



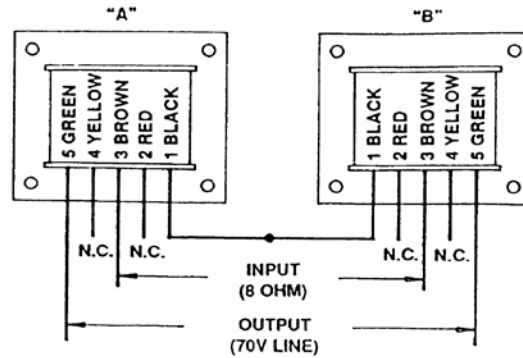
Amplifier Rating:  
50-80 Watts



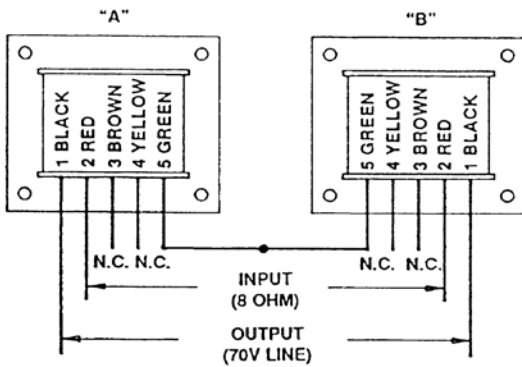
Amplifier Rating:  
85-100 Watts



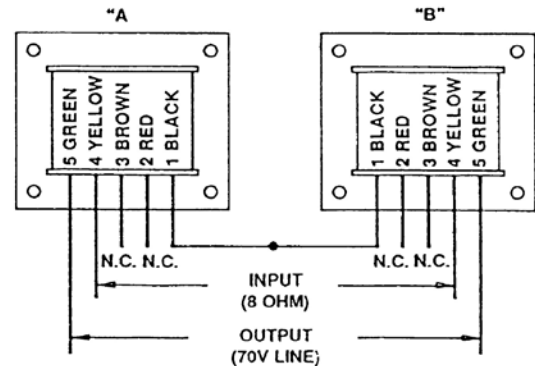
Amplifier Rating:  
115-150 Watts



Amplifier Rating: 160-190 Watts



Amplifier Rating: 200-260 Watts



Amplifier Rating: 270-300 Watts

©2012 Atlas Sound L.P. All rights reserved. Atlas Sound is a trademark of Atlas Sound L.P. All other trademarks are the property of their respective owners. All specs are subject to change without notice. AT5004336 RevA 5/12