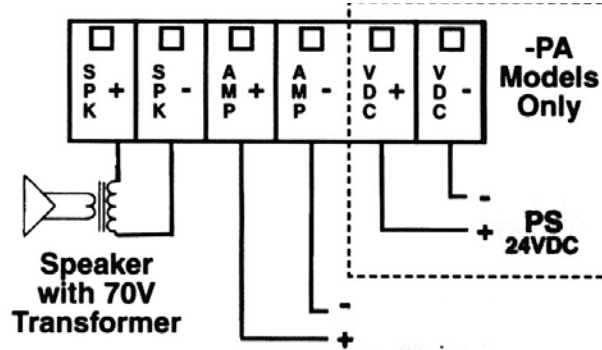


Attenuator Installations

Wiring

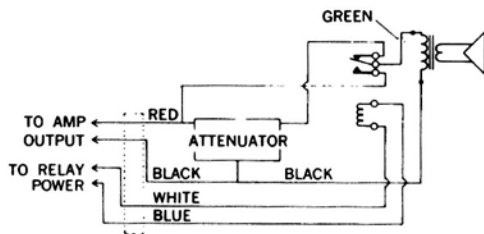
Each terminal will hold up to 2-16AWG stranded wire. For larger wires or home run situations, a small length of wire and a wire nut are recommended. Attach wire according to label on terminal block as shown to the right (Non-PA Models will not have the "VDC+" and "VDC-" terminals).

*Install the unit with the terminal block on top. This will ensure that the OFF position is in the bottom.



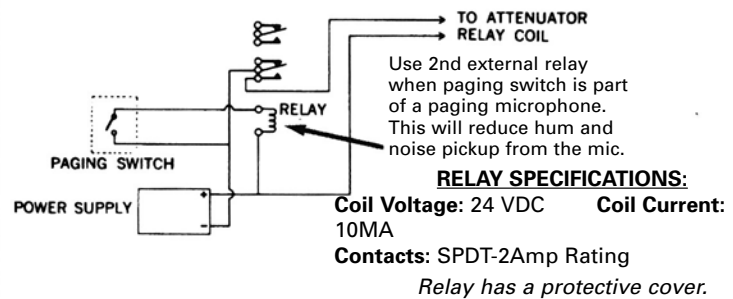
(-PA) PRIORITY ATTENUATORS

Schematics for Priority Attenuators



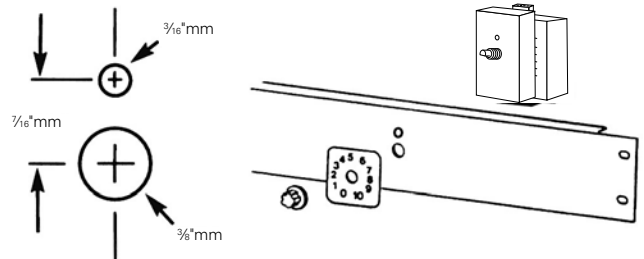
WIRING REQUIREMENTS: (1) PAIR FOR AUDIO, (1) PAIR FOR RELAY

Power Switching Req. for -PA Attenuators



(-RM) Rack Mount

Drill holes in panel using the template to the right. Peel off adhesive backing on escutcheon overlay. Align hole openings with holes in panel and affix to surface. Remove knob and nut from attenuator. Insert bushing through large hole in panel making sure that the small indentation on the bracket lines up with the small hole in the panel. Fasten attenuator to panel with the nut. Fit attenuator knob on shaft. Tighten screw on knob to secure.



Dimensional Specifications

-RM Models supplied without a faceplate. All other models supplied with a single faceplate. Double gang stainless steel faceplate can be ordered separately.

MODEL	A	B	C
AT10	2 1/2" (54mm)	2 3/4" (70mm)	1 3/4" (45mm)
AT35	2 1/2" (54mm)	2 3/4" (70mm)	1 3/4" (45mm)
AT100	2 1/2" (64mm)	2 3/4" (70mm)	1 3/4" (45mm)

