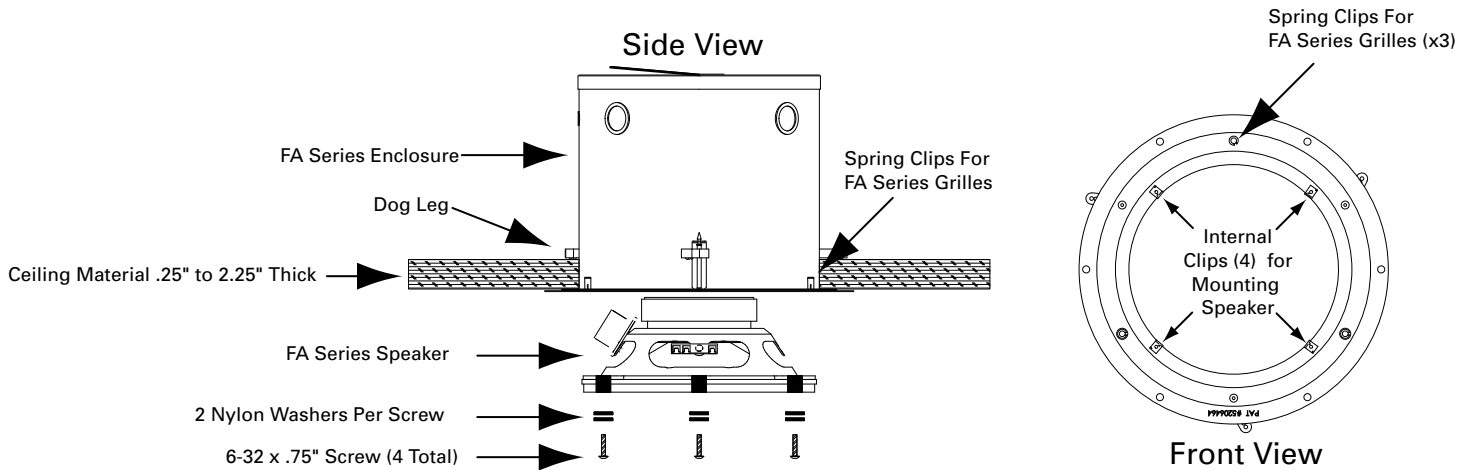


FA Series

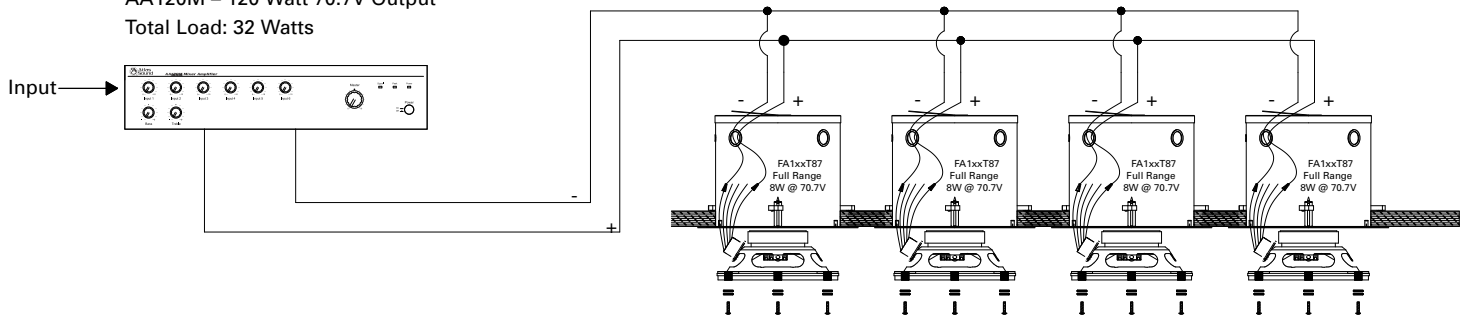
Strategy Series® Loudspeakers



- FA Series loudspeakers are typically "front mounted" to FA Series enclosures. To avoid damage to the rubber surround on the speaker cone, the provided nylon washer must be placed on the mounting screws.
- Two washers per screw are required.
- The drawing above shows the proper assembly of the screws and nylon washers.

Typical Parallel Hookup of Full Range 70.7V/100V Speakers

Amplifier
AA120M – 120 Watt 70.7V Output
Total Load: 32 Watts



Installation must comply with all Building Codes and NFPA guidelines. Installation must adhere to N.E.C. and NFPA 70/72 wiring directives and comply with all National and Local Building Codes.